

**PLEASE CHECK WWW.MOLEX.COM FOR LATEST PART INFORMATION**

**Part Number:** [0082186011](#)  
**Status:** **Active**  
**Description:** 3.96mm (.156") Pitch Round Conductor Flat Cable - 18 AWG (7 x 26) Stranded, Tinned, 11 Circuits, Reel 30.48m (100.0' ) Length

**Documents:**

[Drawing \(PDF\)](#) [RoHS Certificate of Compliance \(PDF\)](#)

**Agency Certification**

CSA LR61126  
 UL E61522

**General**

Product Family Cable  
 Series [40174](#)  
 Crimp Quality Equipment Yes  
 Geographic Area Asia  
 Product Name Ribbon

**Physical**

Cable Length 30.48m (100.0' )  
 Circuits (Loaded) 11  
 Flammability VW-1  
 Insulation PVC  
 Packaging Type Reel  
 Pitch - Term. Interface (in) 0.156 In  
 Pitch - Term. Interface (mm) 3.96 mm  
 Temperature Range - Operating -20°C to +105°C  
 Wire Size AWG 18  
 Wire/Cable Type (7x26) Stranded, Tinned

**Electrical**

Current - Maximum per Contact N/A  
 Voltage - Maximum 300V

**Material Info**

Old Part Number 40174-11-100B

**Reference - Drawing Numbers**

Sales Drawing SD-40174-001



**EU RoHS**

**ELV and RoHS  
 Compliant  
 REACH SVHC  
 Not Reviewed  
 Halogen-Free  
 Status  
 Not Reviewed**

**China RoHS**



**Need more information on product environmental compliance?**

Email [productcompliance@molex.com](mailto:productcompliance@molex.com)  
 For a multiple part number RoHS Certificate of Compliance, [click here](#)

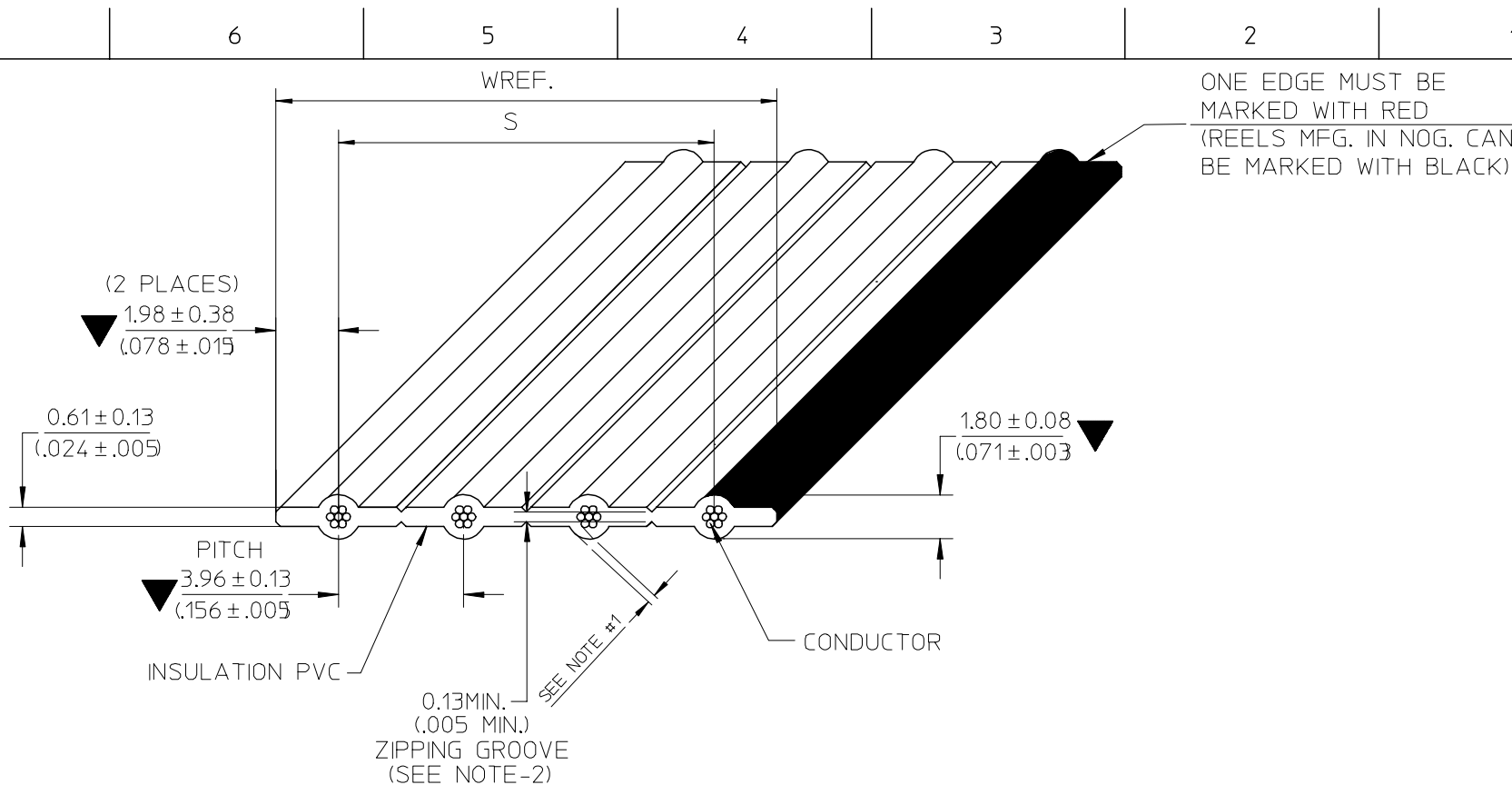
Please visit the [Contact Us](#) section for any non-product compliance questions.

**Search Parts in this Series**

[40174Series](#)

**Use With**

[7674](#) KK® IDT Trifurcon Contact. [7675](#) KK® IDT Double Cantilever Contact



- NOTE :
1. THE CABLE SHALL HAVE A MINIMUM OF 0.178mm. (.007") THICKNESS INSULATION AT ANY POINT
  2. RIP TEST:
    - THE 0.13mm. (.005") ZIPPING GROOVE SHALL BE CAPABLE OF BEING RIPPED BY HAND WITHIN THE RECESS, WITHOUT EXPOSING THE ADJACENT CONDUCTORS
  3. RoHS AND LEAD FREE COMPLIANT
  4. SPECIAL REQUIREMENT: N/A

B	B-07-0748	B <sub>1</sub> : ADD NON-OPERATING TEMP.	07/11/23
A	N/A	INITIAL DRAFT	06/08/09
REV. HISTORY	EC NO.	DETAIL	DATE

SEE CHANGE DETAIL.  
 EC NO: THL2008-0015  
 DRWN: CPANSAKHOM 2007/11/28  
 CHKD: DNARINTARA 2007/11/29  
 APPR: SVIRATJAPOL 2007/12/04

QUALITY SYMBOLS	DESCRIPTION
▽=3	
▽=0	

GENERAL TOLERANCES (UNLESS SPECIFIED)	
	mm INCH
4 PLACES	± --- ± ---
3 PLACES	± --- ± ---
2 PLACES	± --- ± ---
1 PLACE	± --- ± ---
ANGULAR ± --- °	
DRAFT WHERE APPLICABLE MUST REMAIN WITHIN DIMENSIONS	

DIMENSION STYLE	
MM/IN	
DRAWN BY	DATE
CPANSAKHOM	2006/08/09
CHECKED BY	DATE
PMEECHAI	2006/08/09
APPROVED BY	DATE
SVIRATJAPOL	2006/08/09
MATERIAL NO.	
SEE CHART	
SIZE	
A 4	

SCALE	DESIGN UNITS	THIRD ANGLE PROJECTION
NTS	INCH	
TITLE		
FCB ROUND CONDUCTOR 3.96MM(.156)CENTERS PVC. 18AWG STRANDED TINNED		
MOLEX INCORPORATED		
MATERIAL NO.	DOCUMENT NO.	SHEET NO.
SEE CHART	SD-40174-001	1 OF 3
THIS DRAWING CONTAINS INFORMATION THAT IS PROPRIETARY TO MOLEX INCORPORATED AND SHOULD NOT BE USED WITHOUT WRITTEN PERMISSION		

E

E

SPECIFICATIONS

PHYSICAL

CONDUCTOR SPACING ----- 3.96 (0.156")  $\text{C}$  TO  $\text{C}$   
 WIRE GAUGE ----- 18 AWG(7/26) STRANDED TINNED  
 INSULATION ----- P.V.C GRAY (LEAD FREE)

AGENCY

U.L. STYLE NO. ----- 2651  
 TEMPERATURE RATING ----- -20°C TO 105°C  
 VOLTAGE RATING ----- 300V.MAX.  
 FLAMMABILITY RATING ----- VW-1

ELECTRICAL

CONDUCTOR RESISTANCE (D.C.) ----- 7 m OHMS/FT. MAX.  
 CHARACTERISTIC IMPEDANCE ----- 128 OHMS NOM. (GS)  
 ----- 105 OHMS NOM. (GSG)  
 CAPACITANCE ----- 5.9 pF/FT. NOM. (GS)  
 ----- 10.9 pF/FT. NOM. (GSG)  
 PROPAGATION DELAY ----- 1.4 ns/FT. NOM.  
 INSULATION RESISTANCE ----- 10<sup>4</sup>M OHMS (10FT. SAMPLE)  
 DIELECTRIC WITHSTAND VOLTAGE ----- 2000 VRMS/MINUTE

GENERAL

$\triangle$  NON-OPERATING TEMPERATURE ----- -20°C TO 105°C  
 FAULTS AND/OR SPLICES ----- 1/REEL MAX. 100<sup>+3</sup><sub>0</sub>FT. (30.48<sup>+0.914</sup><sub>0</sub> M.)/REEL  
 ----- 20FT. (6.096M.) MIN. LENGTH

D

D

C

C

B

B

A

A

SEE CHANGE DETAIL. EC NO: THL2008-0015 DRWN: CPANSAKHOM 2007/11/28 CHKD: DNARINTARA 2007/11/29 APPR: SVIRATJAPOL 2007/12/04	DESCRIPTION REV	QUALITY SYMBOLS		GENERAL TOLERANCES (UNLESS SPECIFIED)		DIMENSION STYLE		SCALE	DESIGN UNITS	THIRD ANGLE PROJECTION			
						MM/IN		NTS	INCH				
		$\blacktriangledown$ = $\triangle$ =		mm	INCH	DRAWN BY	DATE	TITLE					
				4 PLACES	± ---	± ---	CPANSAKHOM	2006/08/09	FCB ROUND CONDUCTOR 3.96MM(.156)CENTERS PVC. 18AWG STRANDED TINNED				
				3 PLACES	± ---	± ---	CHECKED BY	DATE	MOLEX INCORPORATED				
		2 PLACES	± ---	± ---	PMEECHAI	2006/08/09	SD-40174-001						
		1 PLACE	± ---	± ---	APPROVED BY	DATE	SHEET NO.						
		ANGULAR ± ---°		SVIRATJAPOL	2006/08/09	2 OF 3							
		DRAFT WHERE APPLICABLE MUST REMAIN WITHIN DIMENSIONS				MATERIAL NO.		DOCUMENT NO.					
						SEE CHART		SD-40174-001					
						SIZE		THIS DRAWING CONTAINS INFORMATION THAT IS PROPRIETARY TO MOLEX INCORPORATED AND SHOULD NOT BE USED WITHOUT WRITTEN PERMISSION					
						A 4							

