

PLEASE CHECK WWW.MOLEX.COM FOR LATEST PART INFORMATION

Part Number: [0192120002](#)
Status: **Active**
Overview: [wire_pins](#)
Description: InsulKrimp™ Wire Pin Terminal for 12-10 AWG Wire, Mylar Tape Carrier

Documents:

[Drawing \(PDF\)](#) [RoHS Certificate of Compliance \(PDF\)](#)

Agency Certification

CSA LR18689
 UL E32244

General

Product Family Crimp Terminals
 Series [19212](#)
 Comments Pin Length 11.68mm (.460")
 Crimp Quality Equipment Yes
 Overview [wire_pins](#)
 Product Name Wire Pin

Physical

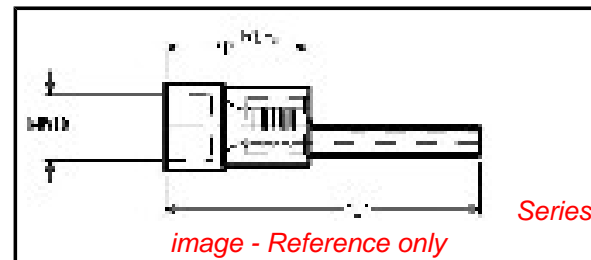
Flammability 94V-2
 Gender Male
 Material - Metal Copper
 Material - Plating Mating Tin
 Packaging Type Adhesive Tape on Reel
 Plating min: Mating (µin) 39
 Plating min: Mating (µm) 1.00
 Termination Interface: Style Crimp or Compression
 Wire Insulation Diameter 6.35mm (.250") max.
 Wire Size AWG 10, 12
 Wire Size mm² N/A

Material Info

Old Part Number WP-2210XT

Reference - Drawing Numbers

Sales Drawing SD-19212-001



EU RoHS

**ELV and RoHS
 Compliant**

REACH SVHC

Not Reviewed

Halogen-Free

Status

Not Reviewed

**Need more information on product
 environmental compliance?**

Email productcompliance@molex.com
 For a multiple part number RoHS Certificate of
 Compliance, [click here](#)

Please visit the [Contact Us](#) section for any
 non-product compliance questions.

China RoHS



Search Parts in this Series

[19212Series](#)

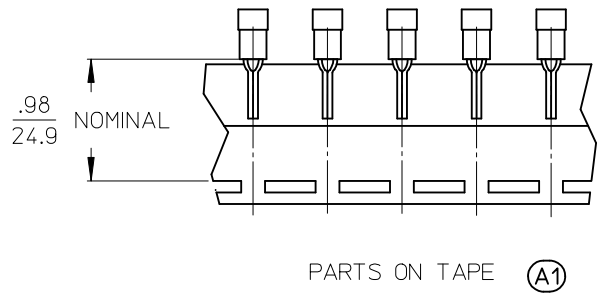
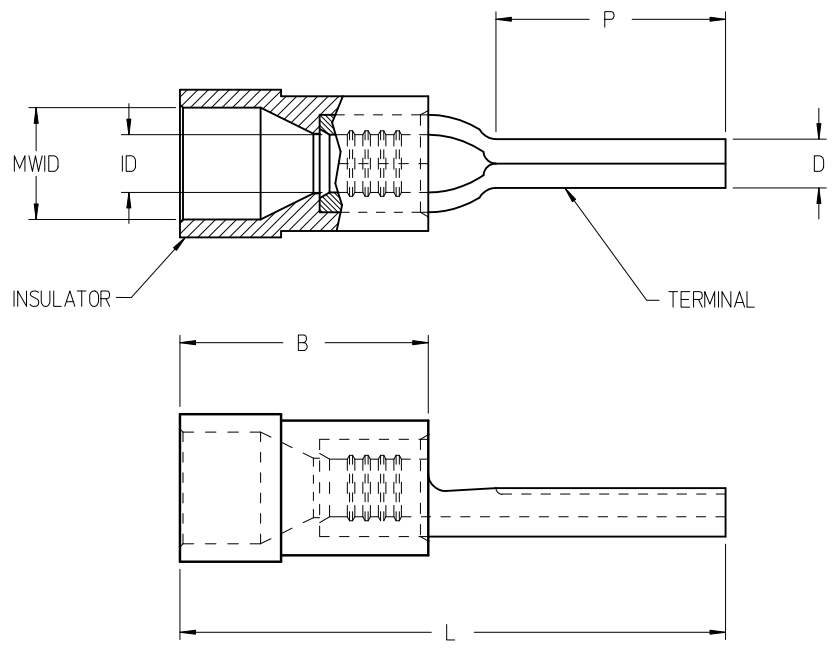
Application Tooling | FAQ

*Tooling specifications and manuals are
 found by selecting the products below.
 Crimp Height Specifications are then
 contained in the Application Tooling
 Specification document.*

Global

Description	Product #
Crimp Dies for MTA-100 Tape Applicator used in 3BF Press, MTA-105 Tape Applicator used in TM-2000™ Press, and ATP-301 Air Crimping Press for Mylar Tape Mounted Terminals	0192880179
Mini-Mac™ Applicator	0638851500

MATERIAL NO. LOOSE PIECE	ENGINEERING NO. LOOSE PIECE	MATERIAL NO. ON TAPE	ENGINEERING NO. ON TAPE	WIRE SIZE	INSULATOR COLOR	ID MINIMUM	L MAXIMUM	P (A1) MINIMUM	D ±.01/0.25	MWID	B MAX (A1)
192120003	WP-2218X	192120004	WP-2218XT	22-18 AWG	RED	.055/1.40	.93/23.6	.35/8.9	.078/1.98	.145/3.68	.41/10.4
192120005	WP-2614X	192120006	WP-2614XT	16-14 AWG	BLUE	.081/2.06 (A1)	.93/23.6	.35/8.9	.078/1.98	.175/4.44	.41/10.4
192120001	WP-2210X	192120002	WP-2210XT	12-10 AWG	YELLOW	.126/3.20	1.12/28.4	.41/10.4	.107/2.72	.250/6.35	.56/14.2



NOTES:

1. TERMINAL MATERIAL: COPPER
2. TERMINAL FINISH: TIN PLATED
3. INSULATOR MATERIAL: PVC
4. MWID = MAXIMUM WIRE INSULATION DIAMETER.
5. PARTS ARE ROHS COMPLIANT.

CORRECT TOLERANCES EC NO: WNA2009-0437 DRW: HETHRODAHL 2010/02/19 CHKD: JMACNEIL 2010/03/01 APPR: JMACNEIL 2010/03/18 A1	QUALITY SYMBOLS ▽=0 ▽=0	GENERAL TOLERANCES (UNLESS SPECIFIED) mm INCH 4 PLACES ±--- ±--- 3 PLACES ±--- ±--- 2 PLACES ±--- ±--- 1 PLACE ±--- ±--- ANGULAR ±---°	DIMENSION STYLE IN/MM DRAWN BY DATE EMF 1992/10/08 CHECKED BY DATE JM 1992/10/08 APPROVED BY DATE JMACNEIL 2010/03/18	SCALE 5:1 DESIGN UNITS INCH THIRD ANGLE PROJECTION	TITLE WIRE PIN TERMINAL, INSULKRIMP
	DRAFT WHERE APPLICABLE MUST REMAIN WITHIN DIMENSIONS	MATERIAL NO. SEE CHART	DOCUMENT NO. SD-19212-001	SHEET NO. 1 OF 1	
	MOLEX INCORPORATED				
	THIS DRAWING CONTAINS INFORMATION THAT IS PROPRIETARY TO MOLEX INCORPORATED AND SHOULD NOT BE USED WITHOUT WRITTEN PERMISSION				