

PLEASE CHECK WWW.MOLEX.COM FOR LATEST PART INFORMATION

Part Number: [0511281601](#)
Status: **Active**
Description: 2.50mm (.098") / 3.00mm (.118") Pitch Wire-to-Board Receptacle Housing with Fuse, 16 Circuits

Documents:

[Drawing \(PDF\)](#) [RoHS Certificate of Compliance \(PDF\)](#)
[Product Specification PS-51128-003 \(PDF\)](#)

General

Product Family	Crimp Housings
Series	51128
Product Name	N/A

Physical

Circuits (maximum)	16
Color - Resin	Black
Gender	Female
Glow-Wire Compliant	No
Lock to Mating Part	Yes
Material - Resin	Polyphenylene Ether Alloy
Number of Rows	2
Packaging Type	Bag
Panel Mount	No
Pitch - Mating Interface (in)	0.098 In, 0.118 In
Pitch - Mating Interface (mm)	2.50 mm, 3.00 mm
Polarized to Mating Part	Yes
Stackable	No
Temperature Range - Operating	-40°C to +105°C

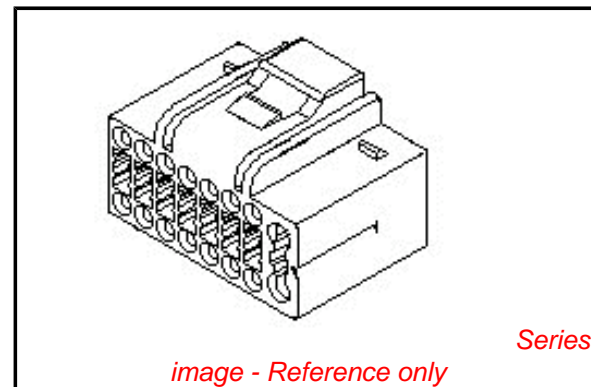
Electrical

Current - Maximum per Contact	10A
-------------------------------	-----

Material Info

Reference - Drawing Numbers

Product Specification	PS-51128-003, RPS-51128-001, RPS-51128-002, RPS-51128-003
Sales Drawing	SD-51128-**01



EU RoHS

ELV and RoHS Compliant
REACH SVHC Contains SVHC: No
Halogen-Free Status

China RoHS



Need more information on product environmental compliance?

Email productcompliance@molex.com
 For a multiple part number RoHS Certificate of Compliance, [click here](#)

Please visit the [Contact Us](#) section for any non-product compliance questions.

Search Parts in this Series

[51128Series](#)

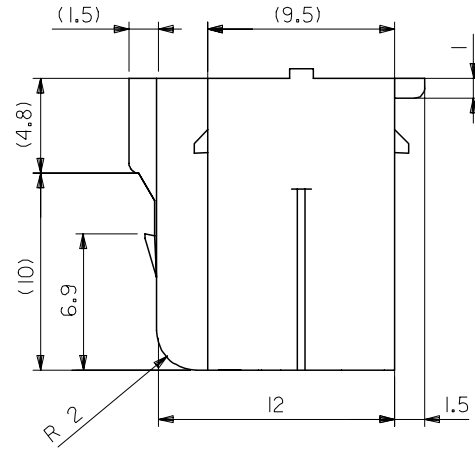
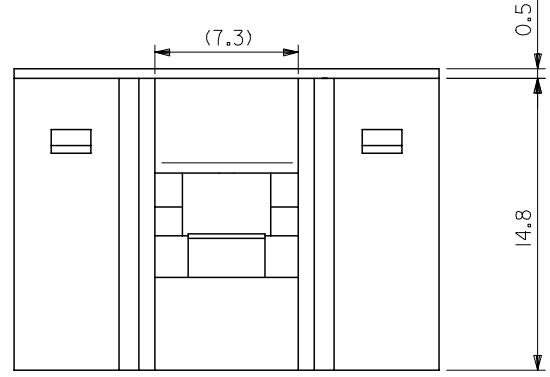
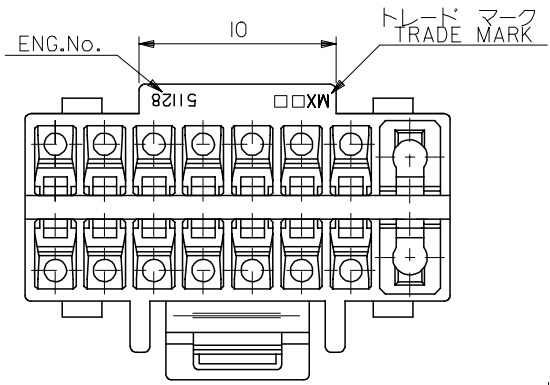
Mates With

[53526-1611](#) , [53526-1619](#)

Use With

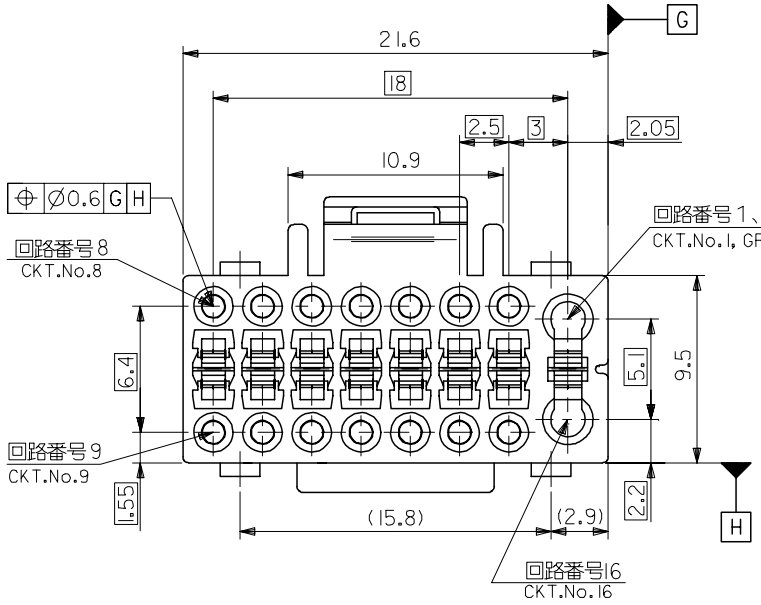
[50350-9001](#) , [50535-9001](#)

PLEASE CHECK WWW.MOLEX.COM FOR LATEST PART INFORMATION



注記
NOTES

- 適合ターミナル: 50350-9*01, 50535-9*01
ACCEPTABLE TERMINAL: 50350-9*01, 50535-9*01
- 嵌合相手: 53526-***1*
MATES WITH: 53526-***1*



51128-1601	16
ENG. NO.	極数 No. Of CKTS.

REVISED EC NO: J2006-0424 DR: W. HAYASHI CHK: D. UKITA APP: R. NUKITA	GENERAL TOLERANCES (UNLESS SPECIFIED)	DIMENSION STYLE MM ONLY	SCALE 4:1	DESIGN UNITS METRIC	THIRD ANGLE PROJECTION
	10 UNDER ±0.2	DRAWN BY K. HAYASHI	DATE '94/07/01	TITLE 2.5/3.0 W/B CONN.(WITH FUSE)RECEPTACLE HOUSING	
	10 OVER 30 UNDER ±0.25	CHECKED BY M. OOYA M. SAK	DATE '94/09/01	MATERIAL NO. SEE CHART	
	30 OVER ±0.3	APPROVED BY M. ENOMOTO	DATE '94/09/01	DOCUMENT NO. SD-51128-***01	
	ANGULAR ±3 °	DRAFT WHERE APPLICABLE MUST REMAIN WITHIN DIMENSIONS		SHEET NO. 1 OF 1	
		SIZE A3		THIS DRAWING CONTAINS INFORMATION THAT IS PROPRIETARY TO MOLEX INCORPORATED AND SHOULD NOT BE USED WITHOUT WRITTEN PERMISSION	