

PLEASE CHECK WWW.MOLEX.COM FOR LATEST PART INFORMATION

Part Number: [0799250013](#)
Status: **Active**
Overview: [tdp triad differential pair](#)
Description: TDP® (Triad® Differential Pair) Cable Assembly, 48 Circuit, 1.00m (3.281') Length, 4-40 Jackscrew

Documents:

[Drawing \(PDF\)](#) [RoHS Certificate of Compliance \(PDF\)](#)

General

Product Family	Cable Assemblies
Series	79925
Connector to Connector	TDP®-to-TDP®
Overview	tdp triad differential pair
Product Name	TDP®

Physical

Cable Length	1.0m (3.28')
Circuits (Loaded)	48
Color - Resin	Black
Gender	Male-Male
Lock to Mating Part	Yes
Material - Metal	Phosphor Bronze
Material - Plating Mating	Gold
Material - Plating Termination	Tin
Material - Resin	High Temperature Thermoplastic
Packaging Type	Bag
Pitch - Mating Interface (in)	0.050 In
Pitch - Mating Interface (mm)	1.27 mm
Plating min: Mating (µin)	75
Plating min: Mating (µm)	1.875
Plating min: Termination (µin)	100
Plating min: Termination (µm)	2.5
Single Ended	No
Termination Interface: Style	Through Hole
Wire Insulation Diameter	N/A
Wire Size AWG	28
Wire/Cable Type	Round

Electrical

Current - Maximum per Contact	1.5A
Shielded	Yes
Voltage - Maximum	40V

Material Info

Reference - Drawing Numbers

Sales Drawing	SD-79925-0014
---------------	---------------



image - Reference only

EU RoHS

RoHS Compliant by Exemption

REACH SVHC

Not Reviewed

Halogen-Free

Status

Not Reviewed

China RoHS



Need more information on product environmental compliance?

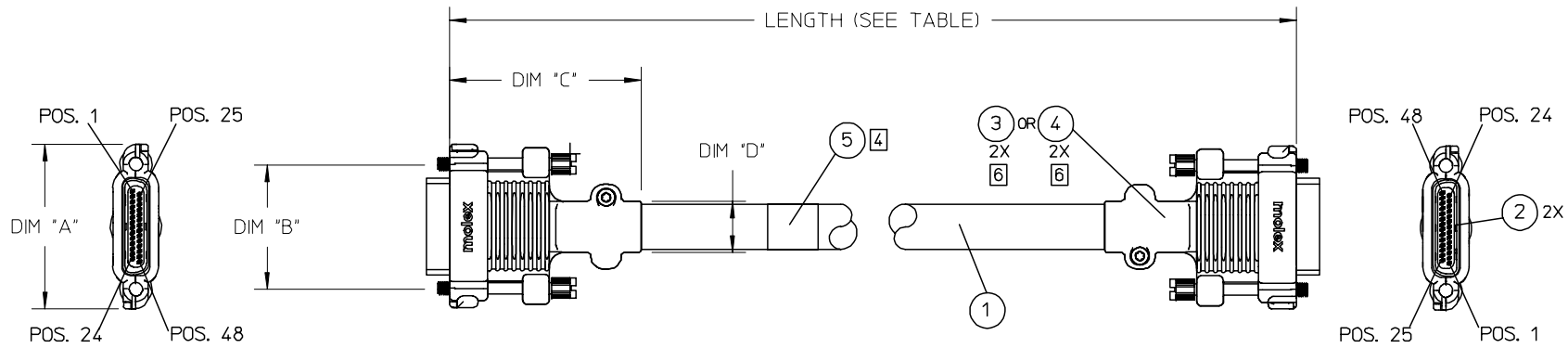
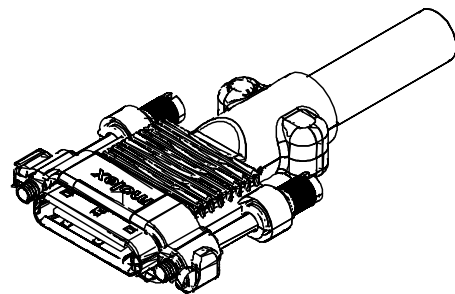
Email productcompliance@molex.com
 For a multiple part number RoHS Certificate of Compliance, [click here](#)

Please visit the [Contact Us](#) section for any non-product compliance questions.

Search Parts in this Series

[79925Series](#)

PART NO.	CIRCUIT SIZE	LENGTH	JACK SCREW THREAD TYPE	"A" DIM'	"B" DIM'	"C" DIM'	"D" DIM'
79925-0013	48	1000 +/-50MM	4-40 JACKSCREW P/N (STANDARD) [6]	2.069/52.56	1.700/43.18	2.478/62.93	0.569/14.45
79925-0014		3000 +/-100MM					
79925-0015		1000 +/-50MM	M3 JACKSCREW P/N (SPECIAL) [6]				
79925-0016		3000 +/-100MM					



WIRING CHART

1 S	25 G
2 S	26 NC
3 NC	27 S
4 G	28 S
5 NC	29 NC
6 S	30 G
7 S	31 NC
8 NC	32 S
9 G	33 S
10 NC	34 NC
11 S	35 G
12 S	36 NC
13 NC	37 S
14 G	38 S
15 NC	39 NC
16 S	40 G
17 S	41 NC
18 NC	42 S
19 G	43 S
20 NC	44 NC
21 S	45 G
22 S	46 NC
23 NC	47 S
24 G	48 S

ROHS

- NOTES:
- PLUG MATERIALS:
SHIELD - DEEP DRAWN STEEL
HOUSING - GLASS FILLED POLYMER, BLACK, UL 94V-0
CONTACTS - COPPER ALLOY, OVERMOLDED WITH GLASS FILLED POLYMER, BLACK, UL 94V-0
 - BACKSHELLS MATERIALS:
BACKSHELL - ZINC ALLOY DIE CAST, FINISH BLACK POLYURETHANE ENAMEL.
(NICKEL PLATED BACK SHELLS AVAILABLE, CONTACT PRODUCT MANAGER FOR INFORMATION)
 - ELECTRICAL SPECIFICATIONS:
100 OHMS DIFFERENTIAL IMPEDANCE
HIGH SPEED DIFFERENTIAL PAIRS
INDIVIDUAL PAIR AND OVERALL SHIELDS TO MINIMIZE CROSSTALK AND RADIATED EMISSIONS

ITEM	P/N	DESCRIPTION	QTY
5	0799426019	PLASTIC LABEL EPC#R-TW10F	1 PC
4	0751151048	48 CKT TDP PLUG CABLE KIT (M3/BLK)	2 PC
3	0751150048	48 CKT TDP PLUG CABLE KIT (4-40/BLK)	2 PC
2	0750001048	TDP 48 Ckt Plug Asy w/o Carrier Strip	2 PC
1	0798231040	10 PAIR W/BRAID 26AWG TURBOTWIN	A/R

4) APPLY LABEL WITH FOLLOWING INFORMATION:
P/N (SEE TABLE)
REV (SEE REVISION TABLE)
M/D WW/YY
ASSEMBLED IN MEXICO

5. PIN CONNECTION IS 1 TO 1 ACCORDING TO TABLE.
[6] USE ITEM 3 FOR 799250013 & 799250014; USE ITEM 4 FOR 799250015 & 799250016

QUALITY SYMBOLS	GENERAL TOLERANCES (UNLESS SPECIFIED)	DIMENSION STYLE IN/MM	SCALE	DESIGN UNITS INCH	THIRD ANGLE PROJECTION															
▽=0 ▽=0	<table border="1"> <thead> <tr> <th></th> <th>mm</th> <th>INCH</th> </tr> </thead> <tbody> <tr> <td>4 PLACES</td> <td>± ---</td> <td>± ---</td> </tr> <tr> <td>3 PLACES</td> <td>± ---</td> <td>± .010</td> </tr> <tr> <td>2 PLACES</td> <td>± 0.25</td> <td>± ---</td> </tr> <tr> <td>1 PLACE</td> <td>± ---</td> <td>± ---</td> </tr> </tbody> </table> ANGULAR ±1/2°		mm	INCH	4 PLACES	± ---	± ---	3 PLACES	± ---	± .010	2 PLACES	± 0.25	± ---	1 PLACE	± ---	± ---	DRAWN BY: AOROZCO CHECKED BY: AOROZCO APPROVED BY: ACUEVAS	DATE: 09/15/2003 DATE: 09/15/2003 DATE: 09/15/2003	TITLE: TDP 100 OHM DIFFERENTIAL CABLE ASSEMBLY 48CKT M3 & 4-40 JACKSCREW MOLEX INCORPORATED	SHEET NO. 1 OF 1
	mm	INCH																		
4 PLACES	± ---	± ---																		
3 PLACES	± ---	± .010																		
2 PLACES	± 0.25	± ---																		
1 PLACE	± ---	± ---																		
	DRAFT WHERE APPLICABLE MUST REMAIN WITHIN DIMENSIONS	MATERIAL NO. VARIOS	DOCUMENT NO. SD-79925-0014																	
		SIZE A	THIS DRAWING CONTAINS INFORMATION THAT IS PROPRIETARY TO MOLEX INCORPORATED AND SHOULD NOT BE USED WITHOUT WRITTEN PERMISSION																	