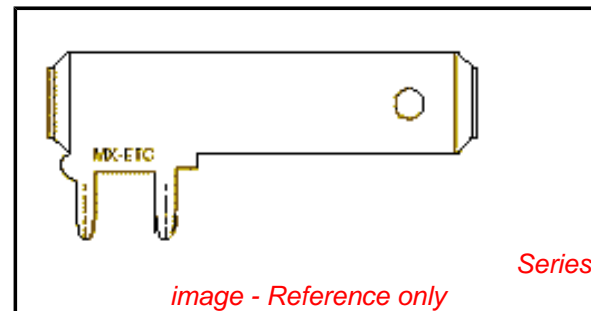


PLEASE CHECK WWW.MOLEX.COM FOR LATEST PART INFORMATION

Part Number: [0197114007](#)
Status: **Active**
Description: PCB Tab Right Angle Quick Disconnect, Male, for Wire, Metal Strip, Tab 6.35mm (.250") x 0.81mm (.032")

Documents:

[Drawing \(PDF\)](#) [RoHS Certificate of Compliance \(PDF\)](#)
[Product Specification PS-19902-010 \(PDF\)](#)



Agency Certification

UL E79133

General

Product Family Quick Disconnects
 Series [19711](#)
 Crimp Quality Equipment Yes
 Product Name PCB Tab
 Type Quick Disconnect

Physical

Barrel Type N/A
 Gender Male
 Glow-Wire Compliant No
 Insulation None
 Lock to Mating Part None
 Material - Metal Brass
 Orientation PCB Flag Tab
 Packaging Type Reel
 Polarized to Mating Part No
 Tab Thickness 0.81mm (.032")
 Tab Width 6.35mm (.250")
 Wire Insulation Diameter N/A
 Wire Size AWG N/A

Electrical

Voltage - Maximum N/A

Material Info

Reference - Drawing Numbers

Product Specification PS-19902-010
 Sales Drawing SD-19711-400

EU RoHS

**ELV and RoHS
Compliant**

REACH SVHC

Not Reviewed

Halogen-Free

Status

Not Reviewed

China RoHS



**Need more information on product
environmental compliance?**

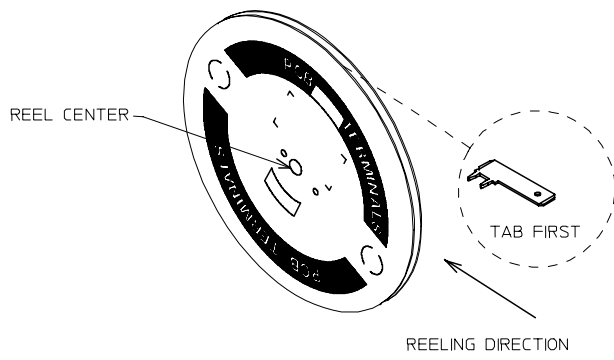
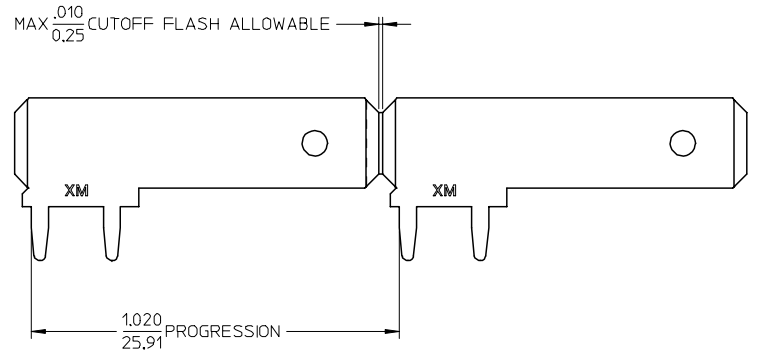
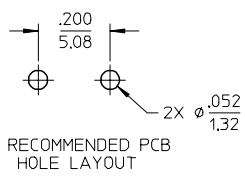
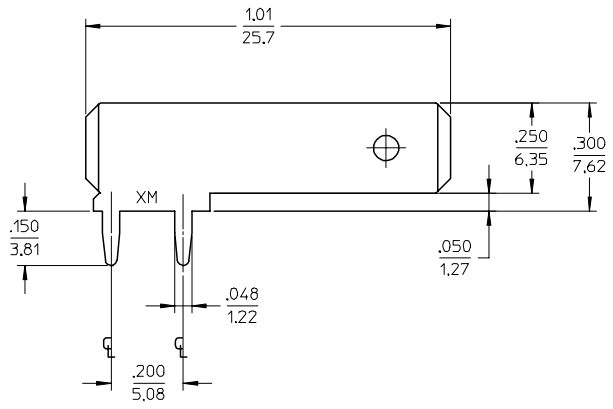
Email productcompliance@molex.com
 For a multiple part number RoHS Certificate of
 Compliance, [click here](#)

Please visit the [Contact Us](#) section for any
 non-product compliance questions.

Search Parts in this Series

[19711Series](#)

MATERIAL NUMBER	ENGINEERING NUMBER	CARRIER
197114003	19711-4003	STRIP
197114007	19711-4007	



- NOTES:
1. BARE EDGES PERMISSIBLE AT CARRIER CUT OFF.
 2. MATERIAL: BRASS C26000 (.032/0.81) THICK
 3. TAB CONFORMS TO NEMA SPECIFICATIONS.
 4. ALL DIMENSIONS AND NOTES REFERENCE UNLESS OTHERWISE NOTED.
 5. PLATING: MATTE TIN, 150MN/3.81 μm MINIMUM THICKNESS OVER NICKEL 50MN/1.254mm MINIMUM THICKNESS.
 6. REF.: 5,000 MINIMUM PARTS PER REEL, REEL HAS 24" DIAMETER REEL WITH A 1.25" DIAMETER CENTER HOLE.

EC NO: ETC2003-0292 DRWN: DMYRICK 2004/05/13 CHKD: HBEITZE 2004/05/14 APPR: RDEROSS 2004/05/14	QUALITY SYMBOLS	GENERAL TOLERANCES (UNLESS SPECIFIED)	SCALE 4:1	DESIGN UNITS INCH	THIRD ANGLE PROJECTION	REVISE ON CAD ONLY															
	DESCRIPTION ▽-0 ◁-0	<table border="1"> <tr> <th></th> <th>mm</th> <th>INCH</th> </tr> <tr> <td>4 PLACES</td> <td>± ---</td> <td>± ---</td> </tr> <tr> <td>3 PLACES</td> <td>± ---</td> <td>± .005</td> </tr> <tr> <td>2 PLACES</td> <td>± 0.13</td> <td>± .01</td> </tr> <tr> <td>1 PLACE</td> <td>± 0.25</td> <td>± ---</td> </tr> </table>		mm	INCH	4 PLACES	± ---	± ---	3 PLACES	± ---	± .005	2 PLACES	± 0.13	± .01	1 PLACE	± 0.25	± ---	DIMENSION STYLE IN/MM		TITLE QUICK DISCONNECT PCB MOUNTABLE .250 X .032 TAB	
			mm	INCH																	
		4 PLACES	± ---	± ---																	
3 PLACES	± ---	± .005																			
2 PLACES	± 0.13	± .01																			
1 PLACE	± 0.25	± ---																			
DRAFT WHERE APPLICABLE		DRAWN BY DATE EDB 11/08/96	MOLEX INCORPORATED MATERIAL NO. SEE CHART DOCUMENT NO. SD-19711-400		SHEET NO. 1 OF 1																
MUST REMAIN WITHIN DIMENSIONS		CHECKED BY DATE JH 11/08/96	APPROVED BY DATE RWD 11/08/96		THIS DRAWING CONTAINS INFORMATION THAT IS PROPRIETARY TO MOLEX INCORPORATED AND SHOULD NOT BE USED WITHOUT WRITTEN PERMISSION																