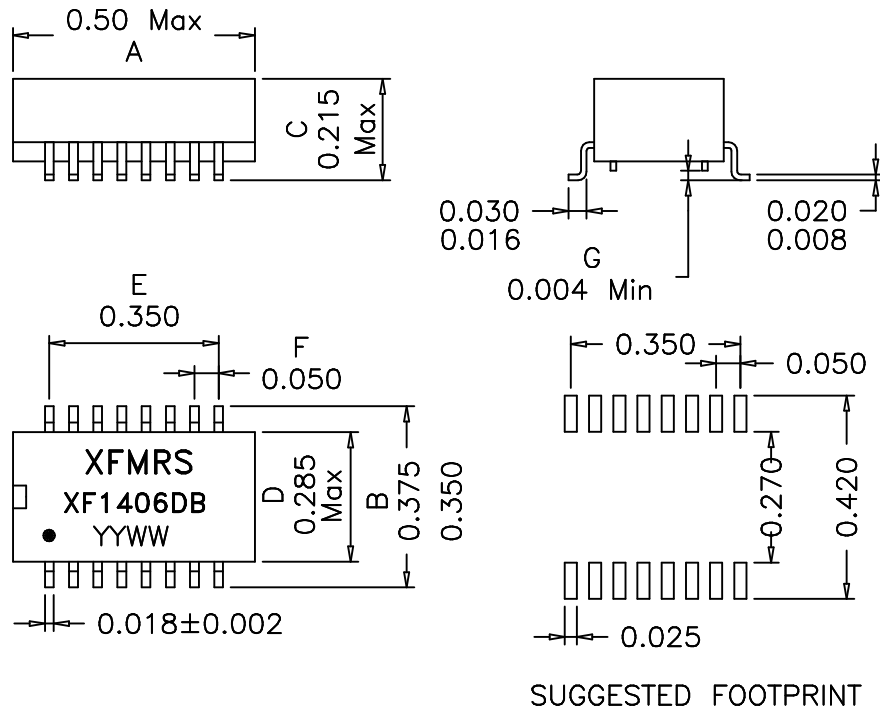
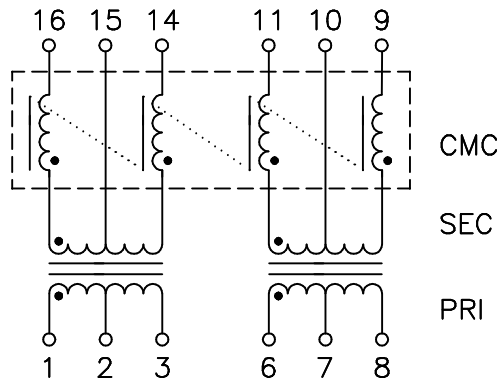


1. Dimensions:



2. Schematic:



3. Electrical Specifications: @25°C

Isolation: 1500Vrms

Turns Ratio: (P1-2-3):(P16-15-14)=1CT:1CT ±2%

Turns Ratio: (P6-7-8):(P11-10-9)=1CT:1.414CT ±2%

PRI OCL: 140uH Min @100KHz 50mV

Cw/w: 15pF Maximum (PRI/SEC) @100KHz 50mV

PRI LL: 0.40uH Maximum @100KHz 50mV
@SEC Shorted

PRI DC Resistance: 0.30 Ohms Maximum

SEC DC Resistance: 0.70 Ohms Maximum

Choke OCL: 30uH Typ. @100KHz 50mV

Note:

1. Solderability: Leads shall meet MIL-STD-202, Method 208D for solderability.
2. Flammability: UL94V-0,
3. ASTM oxygen index: > 28% ,
4. Temperature rating: 155°C. UL file E151556,
5. Operating Temperature Range: 0°C to +70°C

DOC. REV. B/4

XFMRS INC		Title: 10 BASE T MAGNETIC MODULE	
UNLESS OTHERWISE SPECIFIED TOLERANCES: .xxx ±0.010 Dimensions in Inch		P/N: XF1406DB	REV. B
DWN.	廖玉坤	Sep-19-01	
CHK.	李清儿	Sep-19-01	
APP.	Isaiah M	Sep-19-01	
SHEET 1 OF 1			