

**PLEASE CHECK WWW.MOLEX.COM FOR LATEST PART INFORMATION**

**Part Number:** [0313872003](#)  
**Status:** **Active**  
**Overview:** [mx123 sealed connection systems](#)  
**Description:** 2.54mm (.100") Pitch, MX123™ Female Header, 73 Circuits Shrouded Assembly, 0.64mm (.025") Square Pins, Harness Side Key Code C, Blue

**Documents:**

[Drawing \(PDF\)](#) [RoHS Certificate of Compliance \(PDF\)](#)  
[Product Specification PS-34566-0000 \(PDF\)](#)

**General**

Product Family	PCB Headers
Series	<a href="#">31387</a>
Application	Wire-to-Board
Overview	<a href="#">mx123 sealed connection systems</a>
Product Name	MX123

**Physical**

Breakaway	No
Circuits (Loaded)	73
Circuits (maximum)	73
Color - Resin	Blue
First Mate / Last Break	No
Glow-Wire Compliant	No
Guide to Mating Part	No
Keying to Mating Part	None
Lock to Mating Part	Yes
Material - Metal	Copper Alloy
Material - Plating Mating	Tin
Material - Plating Termination	Nickel
Material - Resin	Nylon Alloy
Number of Rows	4
Orientation	Vertical
PC Tail Length (in)	0.255 In
PC Tail Length (mm)	6.50 mm
PCB Locator	No
PCB Retention	None
Packaging Type	Carton
Pitch - Mating Interface (in)	0.100 In
Pitch - Mating Interface (mm)	2.50 mm
Pitch - Term. Interface (in)	0.100 In
Pitch - Term. Interface (mm)	2.50 mm
Polarized to Mating Part	Yes
Polarized to PCB	No
Shrouded	Yes
Stackable	No
Surface Mount Compatible (SMC)	No
Termination Interface: Style	Through Hole

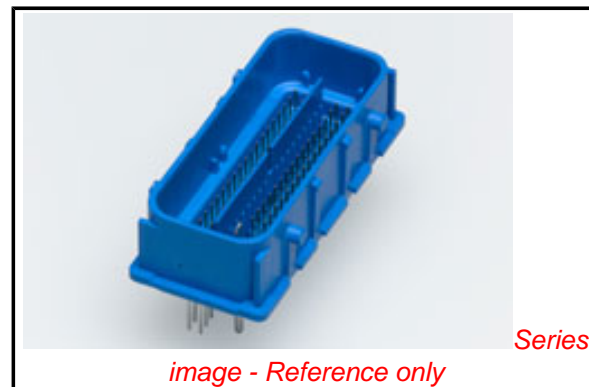
**Electrical**

Current - Maximum per Contact	11A
Voltage - Maximum	500V

**Material Info**

**Reference - Drawing Numbers**

Packaging Specification	PK-31300-840
-------------------------	--------------



*image - Reference only*

**EU RoHS**

**ELV and RoHS  
Compliant**

**REACH SVHC**

**Contains SVHC: No**

**Halogen-Free**

**Status**

**Not Reviewed**

**China RoHS**



**Need more information on product  
environmental compliance?**

Email [productcompliance@molex.com](mailto:productcompliance@molex.com)  
 For a multiple part number RoHS Certificate of Compliance, [click here](#)

Please visit the [Contact Us](#) section for any non-product compliance questions.

**Search Parts in this Series**

[31387Series](#)

**Mates With**

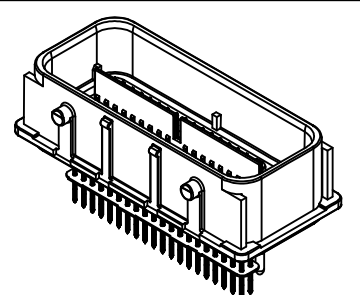
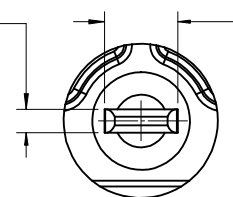
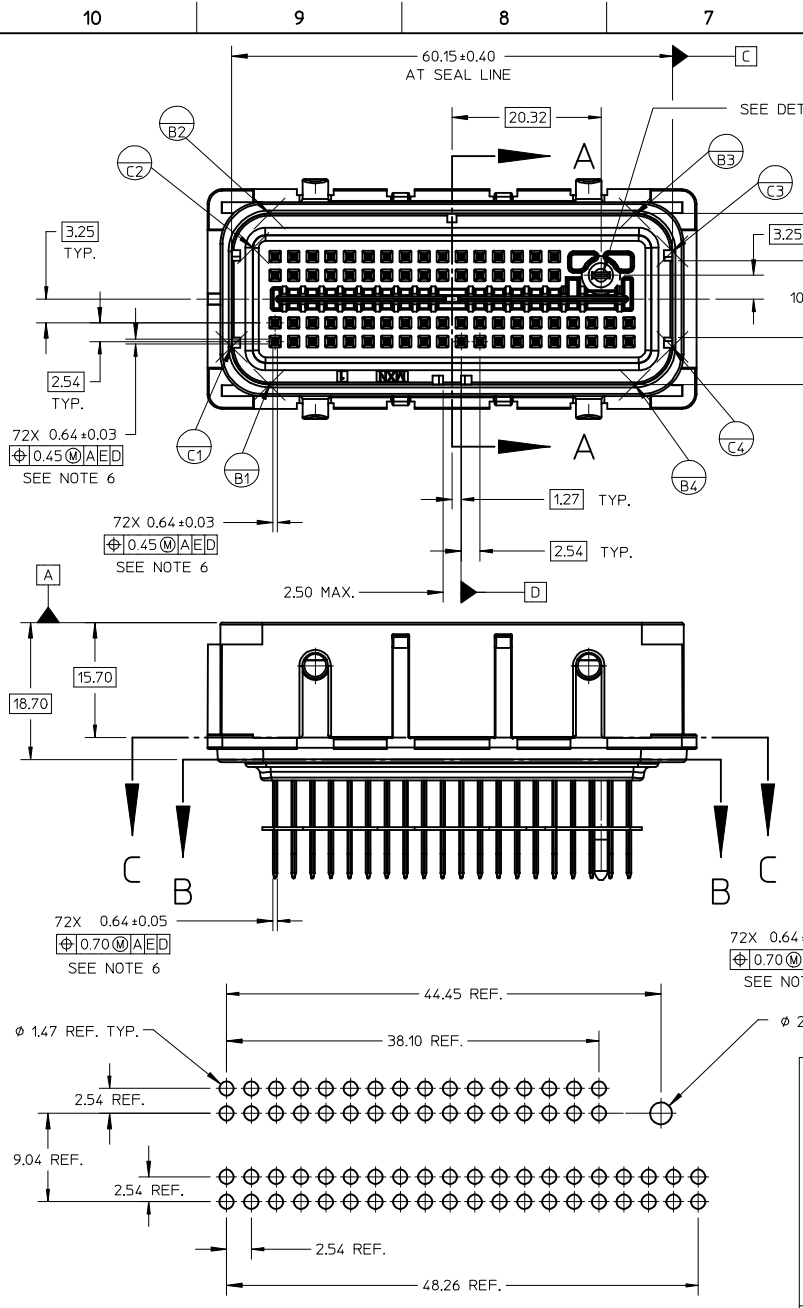
MX123™ Female Receptacle Housing  
[34566](#) , [34576](#)

**Use With**

[33467](#) MX64 Female Terminals

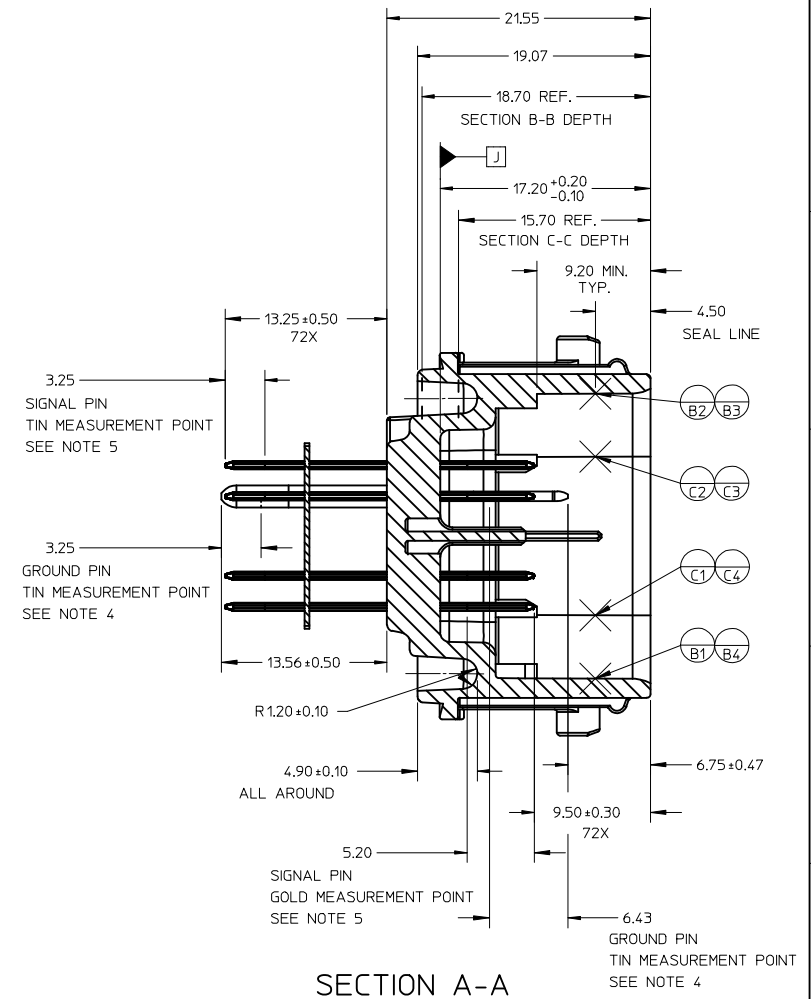
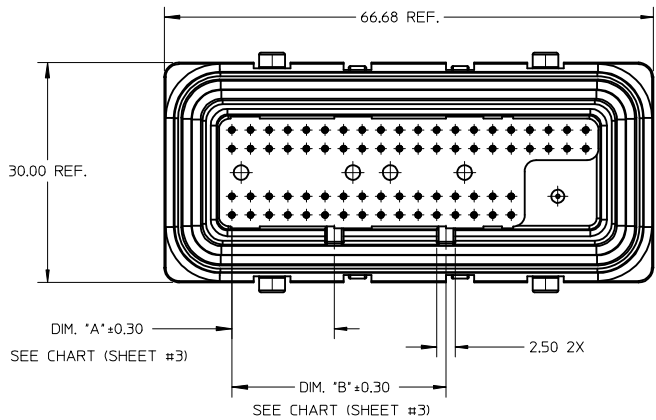
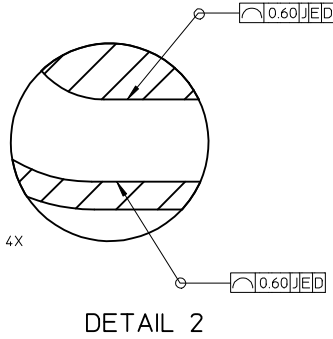
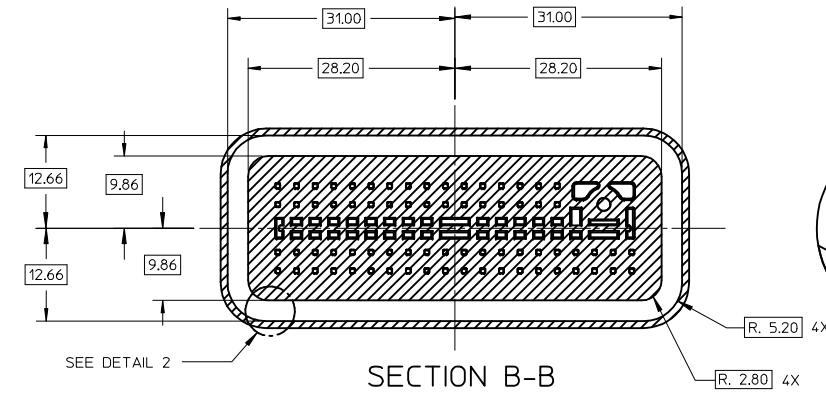
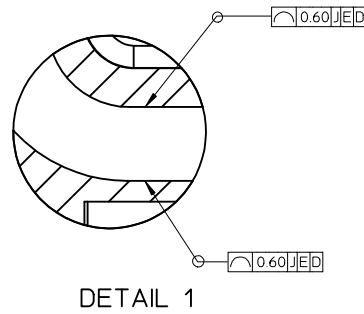
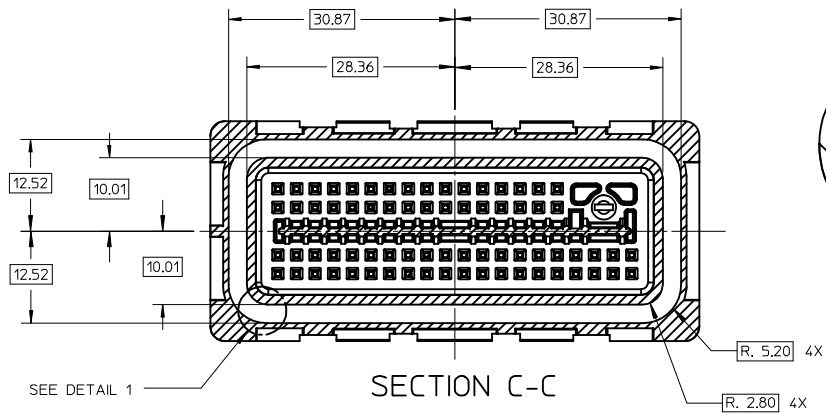
This document was generated on 05/24/2010

**PLEASE CHECK [WWW.MOLEX.COM](http://WWW.MOLEX.COM) FOR LATEST PART INFORMATION**



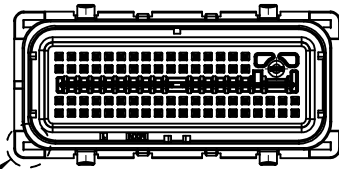
- NOTES:
- DIMENSIONS AND TOLERANCES ARE VALID FOR THE AS SHIPPED SHROUD ASSEMBLY
  - SEE ASME Y14.5-1994 FOR GD&T INTERPRETATION
  - RESIN MATERIAL: 30%GF PBT. SEE CHART FOR COLOR AND KEYING OPTIONS
  - MEASUREMENT POINT FOR GROUND PIN PLATING:  
UNDERPLATE: NICKEL 1.27-2.54  $\mu$ m  
SOLDER TAIL SIDE: SELECT TIN 2.54-10.16  $\mu$ m, MATTE FINISH  
PIN SOLDERABILITY PER SMES-152  
BLADE SIDE: SELECT TIN 2.54-4.06  $\mu$ m, MATTE FINISH
  - MEASUREMENT POINT FOR SIGNAL PIN PLATING:  
UNDERPLATE: NICKEL 1.27-2.54  $\mu$ m  
SELECT GOLD: 0.76  $\mu$ m MIN.  
SELECT TIN: 5.08-10.16  $\mu$ m BRIGHT FINISH  
PIN SOLDERABILITY PER SMES-152
  - ALL PIN TRUE POSITION FUNCTIONALLY CHECKED BY ON-LINE GAUGING
  - FOR ALL HARNESS INTERFACE DIMENSIONS AND TOLERANCE REFERENCE MOLEX DRAWINGS: SD-34565-001 (MX123 73/80 WIRE DRESS COVER)  
SD-34566-001 (MX123 73/80 CKT. HARNESS CONNECTOR)  
SD-33468-001 (MX64 RECEPTACLE TERMINAL)
  - NOTE: ASSEMBLY SHALL NOT EXCEED 125° C DURING POST PROCESSING OR DURING THE ATTACHMENT PROCESS
  - ADHESIVE FOR ATTACHMENT: AS A GENERAL GUIDELINE MOLEX USES SILICONE BASED ADHESIVES AS AN ATTACHMENT METHOD TO CREATE A PERMANENT ADHESIVE BOND BETWEEN THE SHROUD AND AN ALUMINUM DIE-CASTING
  - PACKAGING PER MOLEX PK-31300-840
  - REFER TO THE MX123 USER MANUAL @ <http://www.molex.com/ind/mx123.html>

ENTER DESCRIPTION EC NO: UAU2009-1301 DRAWN/FENCL 2009/07/22 CHKD/F: JAKLIC 2009/07/22 APPR: GPRATT 2009/07/24 A	QUALITY SYMBOLS ▽=0 ▽=0	GENERAL TOLERANCES (UNLESS SPECIFIED)		DIMENSION STYLE		SCALE	DESIGN UNITS	THIRD ANGLE PROJECTION		
				MM ONLY		2:1	METRIC			
						DRAWN BY	DATE	TITLE		
						CHECKED BY	DATE	73 CKT SHROUD ASSEMBLY 0.64 SQ. PINS MX123		
				APPROVED BY		DATE	Molex MOLEX INCORPORATED			
				GPRATT		05/05/08	DOCUMENT NO. SD-31387-073			
				MATERIAL NO.				SHEET NO. 1 OF 3		
				SEE CHART		THIS DRAWING CONTAINS INFORMATION THAT IS PROPRIETARY TO MOLEX INCORPORATED AND SHOULD NOT BE USED WITHOUT WRITTEN PERMISSION				



<b>ENTER DESCRIPTION</b> EC NO: UAU2009-1301 DRW:DFENCL 2009/07/22 CHKD:FJAKLIC 2009/07/22 APPR:GPRATT 2009/07/24 A	<b>QUALITY SYMBOLS</b> ▽=0 ▽=0	<b>GENERAL TOLERANCES (UNLESS SPECIFIED)</b>		<b>DIMENSION STYLE</b> MM ONLY		SCALE 2:1	DESIGN UNITS METRIC	THIRD ANGLE PROJECTION			
		4 PLACES ± --- ± --- 3 PLACES ± --- ± --- 2 PLACES ± 0.13 ± --- 1 PLACE ± 0.25 ± ---	mm INCH	DRAWN BY FJAKLIC	DATE 04/30/08	TITLE 73 CKT SHROUD ASSEMBLY 0.64 SQ. PINS MX123					
		ANGULAR ± 1°		CHECKED BY FJAKLIC	DATE 04/30/08	APPROVED BY GPRATT					
		DRAFT WHERE APPLICABLE MUST REMAIN WITHIN DIMENSIONS		SEE CHART		MATERIAL NO. GPRATT		DATE 05/05/08		DOCUMENT NO. SD-31387-073	
SIZE B		THIS DRAWING CONTAINS INFORMATION THAT IS PROPRIETARY TO MOLEX INCORPORATED AND SHOULD NOT BE USED WITHOUT WRITTEN PERMISSION								SHEET NO. 2 OF 3	

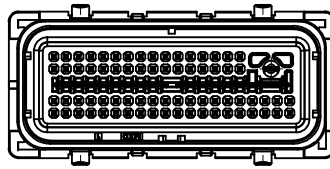
SHROUD ASSEMBLY NUMBER	COLOR	HARNESS SIDE KEY CODE	PCB SIDE KEY LOCATION		MATING HARNESS PART NUMBER
			DIM. "A" (SEE SHEET 2)	DIM. "B" (SEE SHEET 2)	
31387-2014	BLACK	A	13.97	29.21	345660103
31387-2002	GRAY	B	8.89	19.05	345660203
31387-2003	BLUE	C	8.89	24.13	345660303



MATE SIDE  
POLARIZATION KEY  
AT CORNERS

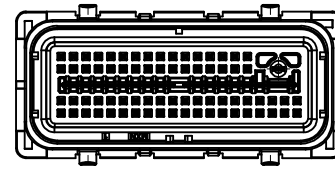
MOLEX P/N 31387-2014  
KEY OPTION 'A'  
COLOR: BLACK

SEE CHART FOR PART NUMBER  
OF MATING HARNESS CONNECTOR



MOLEX P/N 31387-2002  
KEY OPTION 'B'  
COLOR: GRAY

SEE CHART FOR PART NUMBER  
OF MATING HARNESS CONNECTOR



MOLEX P/N 31387-2003  
KEY OPTION 'C'  
COLOR: BLUE

SEE CHART FOR PART NUMBER  
OF MATING HARNESS CONNECTOR

ENTER DESCRIPTION EC NO: UAU2009-1301 DRWNG:DFNCL 2009/07/22 CHKDF:JAKLIC 2009/07/22 APPR:GPRATT 2009/07/24 REV A	QUALITY SYMBOLS ▽=0 ▽=0	GENERAL TOLERANCES (UNLESS SPECIFIED)		DIMENSION STYLE MM ONLY		SCALE 2:1	DESIGN UNITS METRIC	THIRD ANGLE PROJECTION		
			mm	INCH	DRAWN BY FJAKLIC	DATE 04/30/08	TITLE 73 CKT SHROUD ASSEMBLY 0.64 SQ. PINS MX123			
			4 PLACES ± ---	± ---	CHECKED BY FJAKLIC	DATE 04/30/08				
			3 PLACES ± ---	± ---	APPROVED BY GPRATT	DATE 05/05/08	MOLEX INCORPORATED DOCUMENT NO. SD-31387-073 SHEET NO. 3 OF 3			
		2 PLACES ± 0.13	± ---	MATERIAL NO. SEE CHART						
		1 PLACE ± 0.25	± ---	DRAFT WHERE APPLICABLE MUST REMAIN WITHIN DIMENSIONS		THIS DRAWING CONTAINS INFORMATION THAT IS PROPRIETARY TO MOLEX INCORPORATED AND SHOULD NOT BE USED WITHOUT WRITTEN PERMISSION				
		ANGULAR ± 1 °								