

PLEASE CHECK WWW.MOLEX.COM FOR LATEST PART INFORMATION

Part Number: [0350689722](#)
Status: **Active**
Description: MP-Lock™ Quick Disconnect, Female, for 20-22 AWG (0.52-0.33mm²), Metal Strip, Tab 4.75 by 0.80mm (.187 by .031"), Pre-Tin Plated

Documents:

[Drawing \(PDF\)](#) [RoHS Certificate of Compliance \(PDF\)](#)
[Product Specification PS-35189-001 \(PDF\)](#)

Agency Certification

UL E92853

General

Product Family Quick Disconnects
 Series [35068](#)
 Crimp Quality Equipment Yes
 Product Name MP-Lock™
 Type Quick Disconnect

Physical

Barrel Type Open
 Gender Female
 Glow-Wire Compliant No
 Insulation None
 Lock to Mating Part Yes
 Material - Metal Brass
 Material - Plating Mating Tin
 Material - Plating Termination Tin
 Orientation Straight
 Packaging Type Reel
 Plating min: Mating (µin) 32.00
 Plating min: Mating (µm) 0.800
 Plating min: Termination (µin) 32.00
 Plating min: Termination (µm) 0.80
 Polarized to Mating Part Yes
 Tab Thickness 0.81mm (.032")
 Tab Width 4.75mm (.187")
 Temperature Range - Operating -40°C to +105°C
 Termination Interface: Style Crimp or Compression
 Wire Insulation Diameter 2.70mm (.106") max.
 Wire Size AWG 20, 22
 Wire Size mm² 0.33 - 0.52

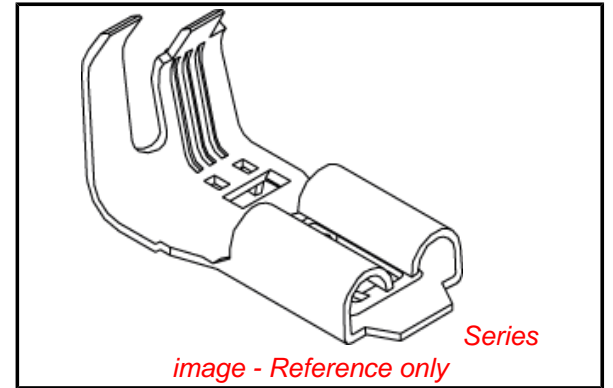
Electrical

Voltage - Maximum 300V

Material Info

Reference - Drawing Numbers

Product Specification PS-35189-001
 Sales Drawing SD-35068-9722



EU RoHS

ELV and RoHS Compliant
REACH SVHC Contains SVHC: No
Halogen-Free Status

China RoHS



Need more information on product environmental compliance?

Email productcompliance@molex.com
 For a multiple part number RoHS Certificate of Compliance, [click here](#)

Please visit the [Contact Us](#) section for any non-product compliance questions.

Search Parts in this Series

[35068Series](#)

Use With

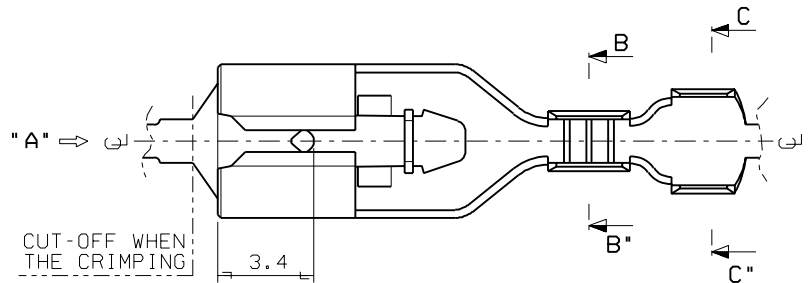
[35189](#) , [35817](#) , [35961](#)

Application Tooling | FAQ

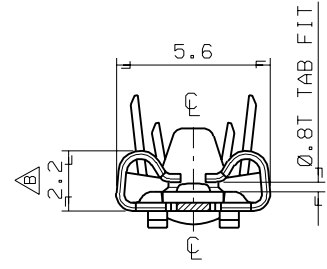
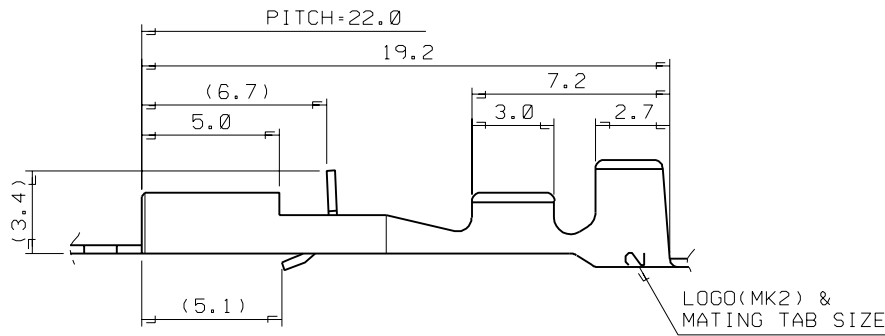
Tooling specifications and manuals are found by selecting the products below. Crimp Height Specifications are then contained in the Application Tooling Specification document.

Global

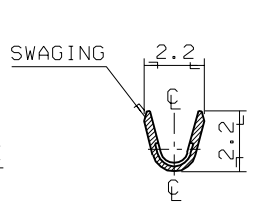
Description	Product #
Mini-Mac™	0638019000
Applicator Rear Feed	



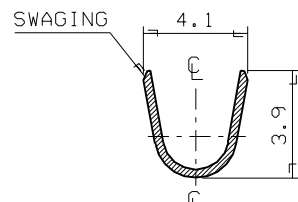
- NOTES
1. MATERIAL : BRASS, Ø.3MM THICKNESS
 2. FINISH : PRE-PLATED TIN
 3. MATING TAB THICKNESS : Ø.8MM
 4. RECOMMENDED LENGTH OF WIRE STRIP IS 4.4-5.0MM.
 5. APPLICABLE WIRE : AWG #22-#20
INSULATION DIA. : Ø1.5-2.7MM
 6. CRIMPING SPECIFICATION : CS35068



VIEW "A"

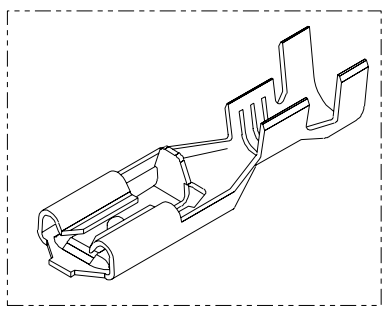


SEC' : B-B"



SEC' : C-C"

Ø.8
MK2



ISOMETRIC VIEW

REVISED EC NO. KOR1998-0140 DRWN: J.S.KANG 98/11/12 CHK: B.K.CHOI APPR: C.W.LEE	QUALITY SYMBOLS MAJOR CRITICAL	GENERAL TOLERANCES: (UNLESS SPECIFIED)		SCALE 6/1	DESIGN UNITS <input checked="" type="checkbox"/> mm <input type="checkbox"/> INCH	DIMENSIONS: <input type="checkbox"/> mm <input type="checkbox"/> INCH <input checked="" type="checkbox"/> mm ONLY		SHT	REV
		4 PLACES	±0.	±.	DRAWN BY & DATE J.S.KANG 98/01/21	TITLE: .187 MP-LOCK TERMINAL(S) (FOR Ø.8T TAB)			
		3 PLACES	±0.	±.	CHECKED BY & DATE B.K.CHOI 98/01/21				
		2 PLACES	±0.2	±.	APPROVED BY & DATE C.W.LEE 98/01/21	MATERIAL NO. 35068-9722		DRAWING NO. SD-35068-9722	SHEET NO. 1 OF 1
1 PLACE	±0.3	±.	ANGULAR: ± 1°	CAD FILENAME S35068F.DGN					
REV	DESCRIPTION	DRAFT WHERE APPLICABLE MUST REMAIN WITHIN DIMENSIONS			THIS DRAWING CONTAINS INFORMATION THAT IS PROPRIETARY TO MOLEX INCORPORATED AND SHOULD NOT BE USED WITHOUT WRITTEN PERMISSION.				SIZE B