

PLEASE CHECK WWW.MOLEX.COM FOR LATEST PART INFORMATION

Part Number: [0471030001](#)
Status: **Active**
Overview: [battery connectors](#)
Description: 2.00mm (.079") Pitch Battery Connector, SMT, Contact Width 1.20mm (.047"), 4 Circuits, Lead-free

Documents:

[3D Model](#) [Product Specification PS-47103-001 \(PDF\)](#)
[Drawing \(PDF\)](#) [RoHS Certificate of Compliance \(PDF\)](#)

General

Product Family	PCB Headers
Series	47103
Application	Board-to-Board
Comments	Dimple on Contact Area
Overview	battery connectors
Product Name	Battery Connector, Compression Connector, One Piece

Physical

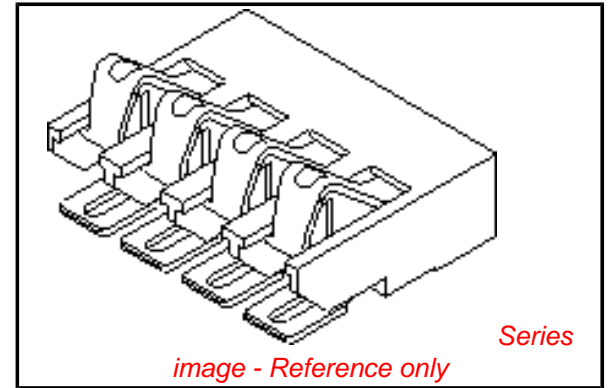
Breakaway	No
Circuits (Loaded)	4
Circuits (maximum)	4
Durability (mating cycles max)	10,000
First Mate / Last Break	Yes
Glow-Wire Compliant	No
Guide to Mating Part	No
Keying to Mating Part	None
Lock to Mating Part	None
Mated Height (in)	0.091 In
Mated Height (mm)	2.30 mm
Material - Plating Mating	Gold
Material - Plating Termination	Tin
Number of Rows	1
Orientation	Vertical
PCB Locator	No
PCB Retention	None
Packaging Type	Embossed Tape on Reel
Pitch - Mating Interface (in)	0.079 In
Pitch - Mating Interface (mm)	2.00 mm
Plating min: Mating (µin)	30
Plating min: Mating (µm)	0.76
Plating min: Termination (µin)	150
Plating min: Termination (µm)	3.80
Polarized to Mating Part	No
Polarized to PCB	No
Shrouded	No
Stackable	No
Temperature Range - Operating	-40°C to +85°C
Termination Interface: Style	Surface Mount

Electrical

Current - Maximum per Contact	1A
Voltage - Maximum	200V

Material Info

Reference - Drawing Numbers



EU RoHS

**ELV and RoHS
Compliant**
REACH SVHC
 Not Reviewed
**Halogen-Free
Status**

China RoHS



Not Reviewed
**Need more information on product
environmental compliance?**

Email productcompliance@molex.com
 For a multiple part number RoHS Certificate of Compliance, [click here](#)

Please visit the [Contact Us](#) section for any non-product compliance questions.

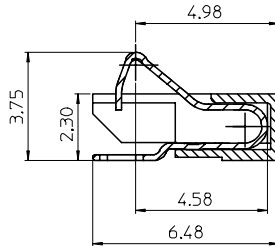
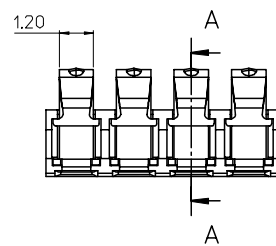
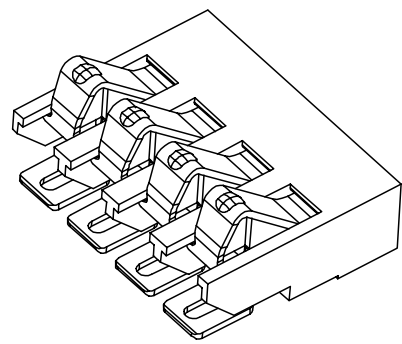
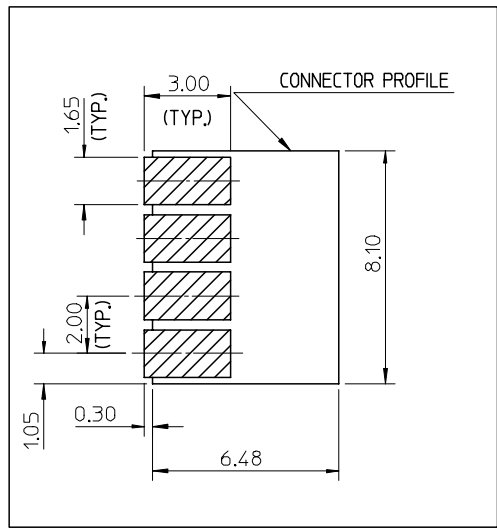
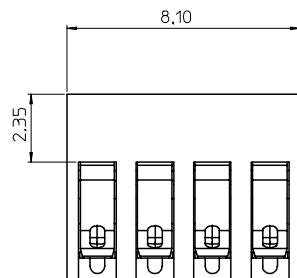
Search Parts in this Series
[47103Series](#)

Packaging Specification
Product Specification
Sales Drawing

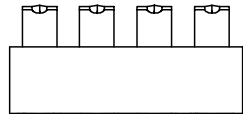
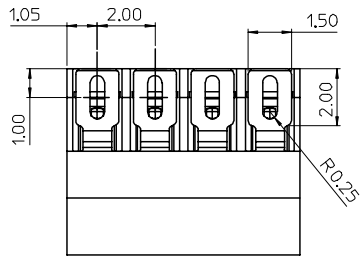
PK-47103-001
PS-47103-001
SD-47103-001

This document was generated on 05/26/2010

PLEASE CHECK WWW.MOLEX.COM FOR LATEST PART INFORMATION



SECTION A-A



RECOMMENDED FOOT PRINT

NOTE:

- 1.MATERIAL:
HOUSING: LCP, 30% GLASS-FILLED, UL 94V-0, COLOR :BLACK
TERMINAL: 0.20MM PHOSPHOR BRONZE.
- 2.FINISH:
CONTACT AREA: 0.75 MICRON GOLD MIN OVER 1.25 MICRON NICKEL MIN.
SOLDER AREA: 3.75 MICRON PURE TIN MIN OVER 1.25 MICRON NICKEL MIN.
REST AREA: 1.25 MICRON NICKEL MIN.
- 3.COPLANARITY: 0.1 MAX AMONG THESE SOLDER TAILS.
- 4.PRODUCT SPECIFICATION: PS-47103-001

EC NO: SH2005-0060 DRWN: JIAN 2004/08/20 CHKD: GRATE M 2004/08/24 APPR: SHUANG 2004/08/24	QUALITY SYMBOLS	GENERAL TOLERANCES (UNLESS SPECIFIED)		SCALE 5:1	DESIGN UNITS METRIC	THIRD ANGLE PROJECTION	REVISE ON CAD ONLY		
	DESCRIPTION ▼ = 0 ◁ = 0		mm	INCH	DIMENSION STYLE MM ONLY		TITLE 2.0MM PITCH 4 CIRCUITS BATTERY CONNECTOR		
		4 PLACES	± ---	± ---	DRAWN BY JOHNSON	DATE 2004/03/03			
		3 PLACES	± ---	± ---	CHECKED BY GRMA	DATE 2004/03/03			
		2 PLACES	± 0.13	± ---	APPROVED BY SHUANG	DATE 2004/03/03	MATERIAL NO. 471030001	DOCUMENT NO. SD-47103-001	SHEET NO. 1 OF 1
		1 PLACE	± 0.13	± ---	THIS DRAWING CONTAINS INFORMATION THAT IS PROPRIETARY TO MOLEX INCORPORATED AND SHOULD NOT BE USED WITHOUT WRITTEN PERMISSION				
		ANGULAR ± 1 °							
		DRAFT WHERE APPLICABLE							
		MUST REMAIN WITHIN DIMENSIONS							