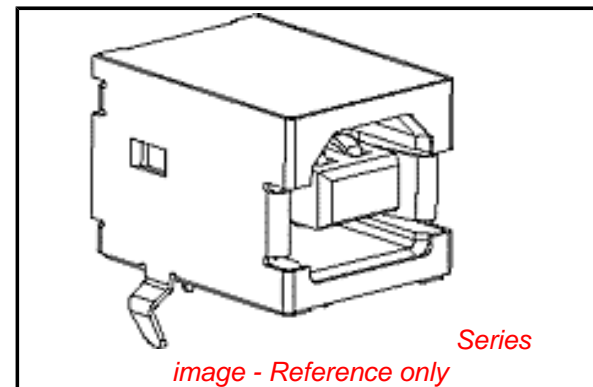


**PLEASE CHECK WWW.MOLEX.COM FOR LATEST PART INFORMATION**

**Part Number:** **0672481000**  
**Status:** **Active**  
**Description:** Universal Serial Bus, Shielded I/O, Type B Receptacle, Right Angle, Short Body, 4 Circuits  
**Replacement Part Number:** 67068

**Documents:**

[Drawing \(PDF\)](#) [RoHS Certificate of Compliance \(PDF\)](#)  
[Product Specification PS-67998-0000 \(PDF\)](#)



**General**

Product Family	I/O Connectors
Series	<u>67248</u>
Application	Wire-to-Board
Comments	Short Body
Component Type	Receptacle
Obsolete Date	2006/04/01
Product Name	USB
Replacement Part Number	<u>67068</u>
Type	B

**Physical**

Circuits (Loaded)	4
Circuits (maximum)	4
Lock to Mating Part	Yes
Material - Plating Mating	Gold
Orientation	Right Angle
PC Tail Length (in)	0.110 In
PC Tail Length (mm)	2.80 mm
PCB Retention	Yes
PCB Thickness Recommended (in)	0.062 In
PCB Thickness Recommended (mm)	1.60 mm
Packaging Type	Tray
Panel Mount	No
Pitch - Mating Interface (in)	0.098 In
Pitch - Mating Interface (mm)	2.50 mm
Polarized to Mating Part	Yes
Surface Mount Compatible (SMC)	No
Temperature Range - Operating	0°C to +40°C
Termination Interface: Style	Through Hole
Wire Size AWG	N/A

**Electrical**

Current - Maximum per Contact	1A
Shielded	Yes
Voltage - Maximum	30V

**Material Info**

**Reference - Drawing Numbers**

Product Specification	PS-67998-0000
-----------------------	---------------

<b>EU RoHS</b>	<b>China RoHS</b>
<b>Not RoHS Compliant</b>	
<b>REACH SVHC</b>	
<b>Not Reviewed</b>	
<b>Halogen-Free</b>	
<b>Status</b>	
<b>Not Reviewed</b>	



**Need more information on product environmental compliance?**

Email [productcompliance@molex.com](mailto:productcompliance@molex.com)  
 For a multiple part number RoHS Certificate of Compliance, [click here](#)

Please visit the [Contact Us](#) section for any non-product compliance questions.

**Search Parts in this Series**  
67248Series

**Mates With**  
USB Type

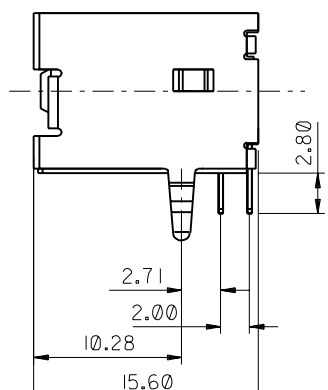
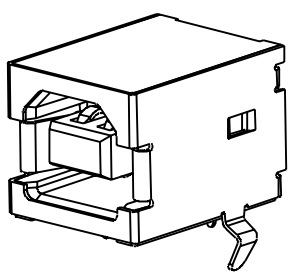
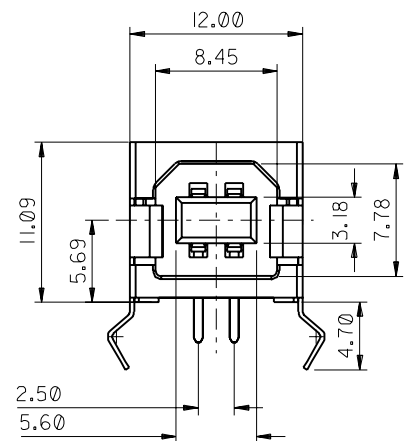
DO NOT SCALE DRAWING

CAD FILE NO. 6724802.S01

SIMILAR ITEM

EDP NO.

ENG. NO 67248-00\*



NOTES :

1. MATERIAL :

HOUSING : POLYESTER , UL94-V0 , COLOR:(a) BLACK (b) WHITE  
 TERMINAL : PHOSPHOR BRONZE  
 METAL SHELL : COPPER ALLOY

2. PLATING :

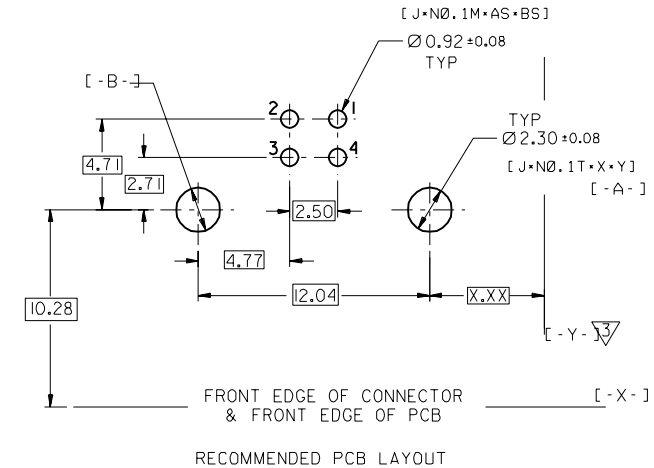
TERMINAL :

CONTACT AREA : (a) GOLD FLASH.  
 (b) GLOD (Au), THICKNESS = 30 MICROINCH/0.76 MICROMETER  
 SOLDER TAIL : TIN-LEAD (Sn-Pb) ALLOY,  
 THICKNESS= 150 MICROINCH /3.8 MICROMETER  
 UNDER PLATE : NICKEL (Ni), THICKNESS= 50 MICROINCH/1.27 MICROMETER  
 METAL SHELL :

TIN-LEAD (Sn-Pb) ALLOY , THICKNESS= 100 MICROINCH/2.54 MICROMETER  
 UNDER PLATE : NICKEL (Ni) , THICKNESS= 50 MICROINCH/1.27 MICROMETER

3 DATUM AND BASIC DIMENSIONS ESTABLISHED BY CUSTOMER  
 RECOMMENDED PCB THICKNESS : 1.60±0.05

4 PRODUCT SPECIFICATION ; REFER TO PS-67998-0000  
 5 ANY CHANGE HAVE TO CHECK 67285-0000.



PART NUMBER LEGEND:

P/N	COLOR	CONTACT PLATING
67248-0000	BLACK	GOLD FLASH
67248-0001	BLACK	0.76 MICROMETER/30 MICROINCH GOLD
67248-1000	WHITE	GOLD FLASH
67248-1001	WHITE	0.76 MICROMETER/30 MICROINCH GOLD

RTM EC NO. T2000-0019 DRWN: SAM SHIN 991102 CHK: VINCENT 991102 APPR: MEGA LIN 991102	TOOLING RELEASE EC NO. T1999-0276 DRWN: SAM SHIN 990428 CHK: VINCENT 990428 APPR: MEGA LIN 990428	QUALITY SYMBOLS MAJOR $\nabla = 0$ CRITICAL $\nabla C = 0$	GENERAL TOLERANCES: (UNLESS SPECIFIED)		SCALE 3:1	DESIGN UNITS <input checked="" type="checkbox"/> mm <input type="checkbox"/> INCH	THIRD ANGLE PROJECTION <input checked="" type="checkbox"/> <input type="checkbox"/>	DIMENSIONS: <input type="checkbox"/> mm <input type="checkbox"/> INCH <input type="checkbox"/> mm ONLY	I B SHT REV REVISE ON CAD ONLY	
			4 PLACES $\pm 0.15$ $\pm 0.15$ 3 PLACES $\pm 0.25$ $\pm 0.25$ 2 PLACES $\pm 0.25$ $\pm 0.10$ 1 PLACE $\pm 0.25$ $\pm 0.10$	DRAWN BY & DATE SAM SHIN CHECKED BY & DATE APPROVED BY & DATE	TITLE: SALES DRAWING OF USB"B" R/A CONNECTOR			MOLEX MOLEX INCORPORATED		CAD FILENAME S6724802.S01
B A		REV DESCRIPTION	ANGULAR: +3° DRAFT WHERE APPLICABLE MUST REMAIN WITHIN DIMENSIONS			THIS DRAWING CONTAINS INFORMATION THAT IS PROPRIETARY TO MOLEX INCORPORATED AND SHOULD NOT BE USED WITHOUT WRITTEN PERMISSION.				SIZE A3