

PLEASE CHECK WWW.MOLEX.COM FOR LATEST PART INFORMATION

Part Number: [0743209124](#)
Status: **Active**
Description: MicroCross™ DVI-D Digital Interface with EMI Shielding, PCB Receptacle, Panel Mount, Through Hole, Right Angle, 0.76µm (30µ") Gold (Au) Plating, 2.34mm (.092") P.C. Tail Length, with Beveled Metal Pins, 24 Circuits, Lead Free

Documents:

[Drawing \(PDF\)](#) [RoHS Certificate of Compliance \(PDF\)](#)

General

Product Family	I/O Connectors
Series	74320
Application	Wire-to-Board
Comments	DDWG (Digital Display Working Group) Standard
Component Type	Receptacle
Product Name	MicroCross™DVI
Type	N/A

Physical

Boot Color	N/A
Circuits (Loaded)	24
Circuits (maximum)	24
Color - Resin	Natural
Durability (mating cycles max)	100
Gender	Receptacle
Keying to Mating Part	Yes
Lock to Mating Part	Yes
Material - Metal	Copper Alloy
Material - Plating Mating	Gold
Material - Plating Termination	Tin
Number of Rows	3
Orientation	Right Angle
PC Tail Length (in)	0.092 In
PC Tail Length (mm)	2.34 mm
PCB Locator	No
PCB Retention	Yes
Packaging Type	Tray
Panel Mount	Yes
Pitch - Mating Interface (in)	0.075 In
Pitch - Mating Interface (mm)	1.91 mm
Pitch - Term. Interface (in)	0.075 In
Pitch - Term. Interface (mm)	1.91 mm
Plating min: Mating (µin)	30
Plating min: Mating (µm)	0.76
Plating min: Termination (µin)	100
Plating min: Termination (µm)	2.50
Polarized to Mating Part	Yes
Polarized to PCB	Yes
Ports	1
Surface Mount Compatible (SMC)	No
Temperature Range - Operating	-20°C to +85°C
Termination Interface: Style	Through Hole
Waterproof / Dustproof	No
Wire Size AWG	N/A

Electrical

EU RoHS

ELV and RoHS Compliant

REACH SVHC

Not Reviewed

Halogen-Free

Status

Not Reviewed

China RoHS



Need more information on product environmental compliance?

Email productcompliance@molex.com
 For a multiple part number RoHS Certificate of Compliance, [click here](#)

Please visit the [Contact Us](#) section for any non-product compliance questions.

Search Parts in this Series

[74320Series](#)

Mates With

[88744](#) , [74323](#)

Current - Maximum per Contact	3A
Grounding to Panel	Yes
Shield Type	Full Shield
Shielded	Yes
Voltage - Maximum	40V AC (RMS)

Material Info

Reference - Drawing Numbers

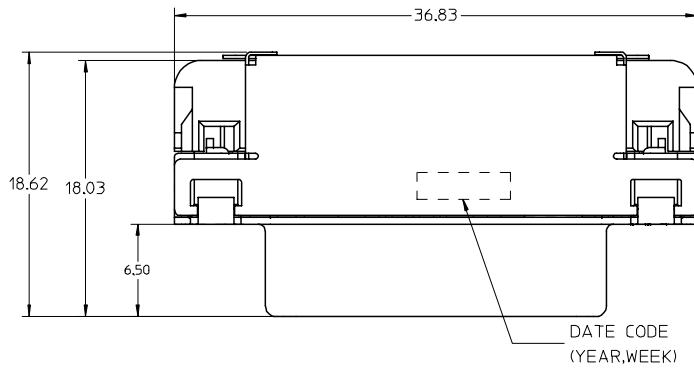
Sales Drawing	SD-74320-051
---------------	--------------

This document was generated on 05/10/2010

PLEASE CHECK WWW.MOLEX.COM FOR LATEST PART INFORMATION

J
I
H
G
F
E
D
C
B
A

J
I
H
G
F
E
D
C
B
A



NOTES:

1.MATERIALS:

- FRONT SHIELD -- DEEP DRAW STEEL.
- BACK SHIELD -- STAINLESS STEEL.
- HOUSING --GLASS FILLED POLYMER,WHITE/NATURE,UL 94V-0.
- TAIL ALIGNER -- GLASS FILLED POLYMER,WHITE/NATURE,UL 94V-0.
- CONTACT -- COPPER ALLOY.
- JACKPOST -- STEEL,ZINC PLATE W/CLEAR CHROMATE

2.PLATING : SEE SHEET 2

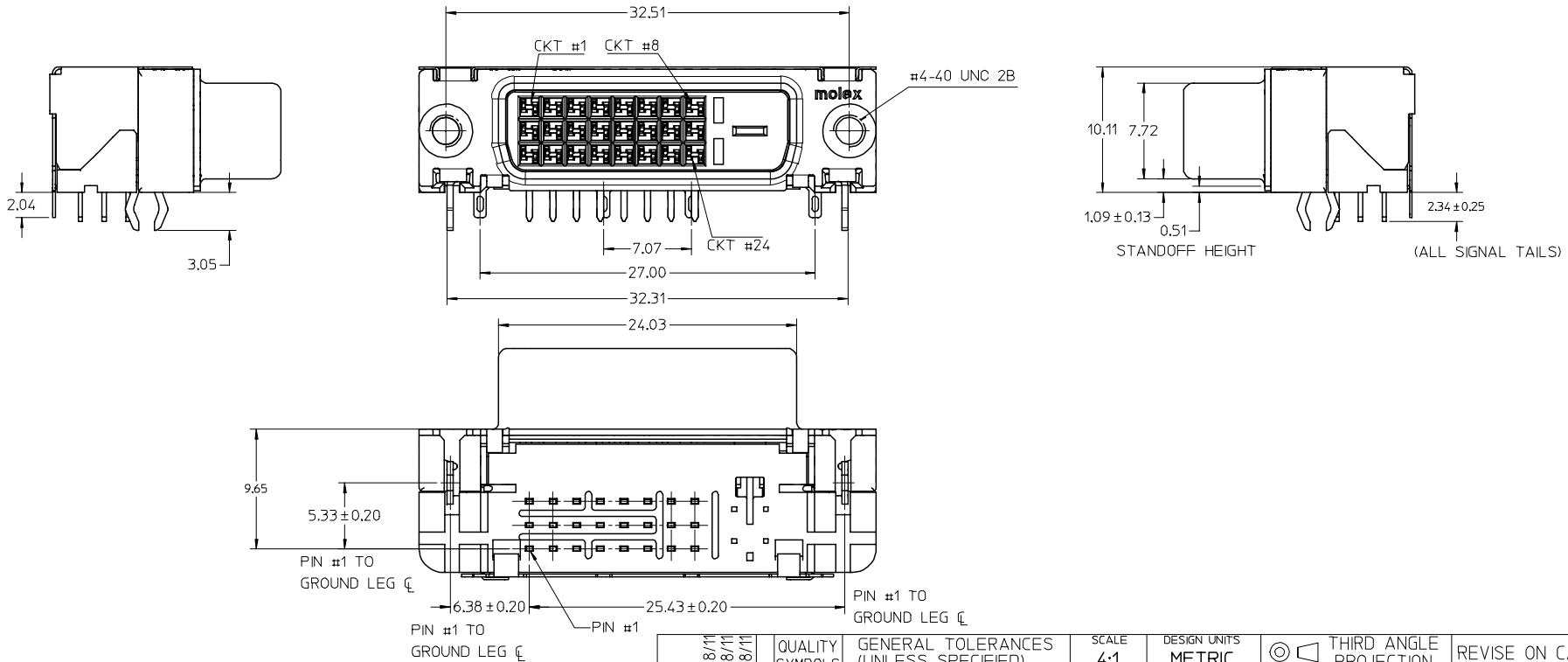
3.PRODUCT CONFORMS TO MOLEX PRODUCT SPECIFICATION NUMBER PS-74320-001

4.SEE SHEET 2 FOR RECOMMENDED PANEL CUT-OUT AND P.C.B.LAYOUT.

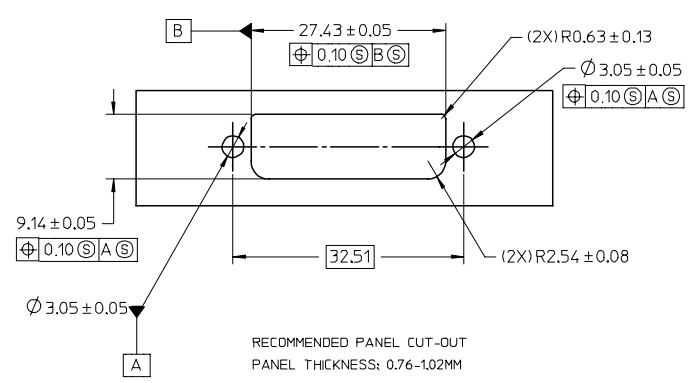
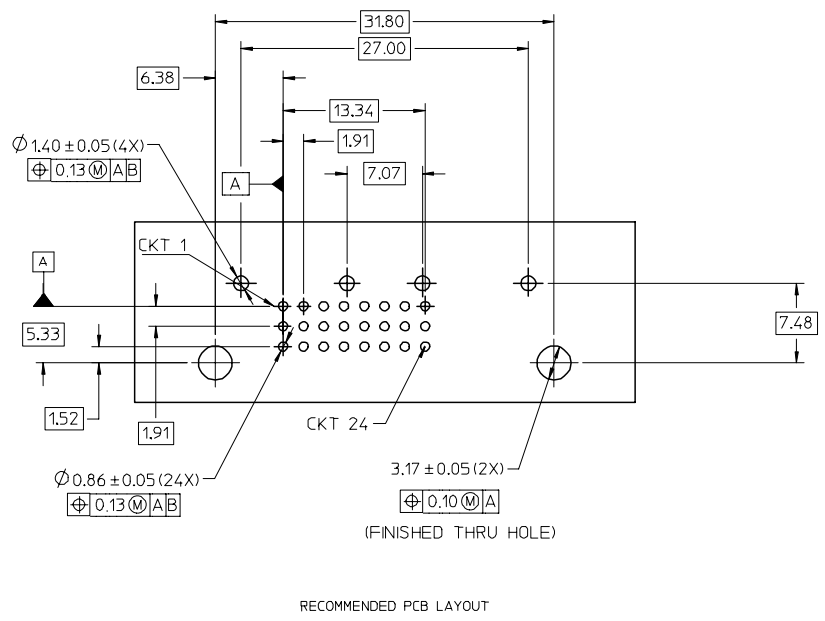
5.PARTS WILL BE PACKAGED IN TRAYS PER PK-74320-044.

6.PRODUCT CONFIRMS TO DDWG DVI SPECIFICATION.REFER TO THIS SPECIFICATION FOR CONNECTOR MATING DIMENSIONS.

7.MOUNTING HARDWARE IS MOLEX P/N 71781-0001.REFER TO PRODUCT SPECIFICATION NUMBER PS-74320-001 FOR THE APPLICATION TORQUE REQUIREMENT FOR ASSEMBLING MOUNTING HARDWARE.



MODIFICATION EC NO: SH2007-0083 DRAWN: FANG05 2006/08/11 CHKD: HWANG 2006/08/11 APPR: JNCHEN 2006/08/11	DESCRIPTION DVI-D RIGHT ANGLE RECEPTACLE CONNECTOR WITH EMI SHIELDING	QUALITY SYMBOLS ▽ = 0 ◻ = 0	GENERAL TOLERANCES (UNLESS SPECIFIED) mm INCH 4 PLACES ± --- ± --- 3 PLACES ± --- ± --- 2 PLACES ± 0.25 ± --- 1 PLACE ± 0.25 ± --- ANGULAR ± 3 °	SCALE 4:1 DESIGN UNITS METRIC DIMENSION STYLE MM ONLY	THIRD ANGLE PROJECTION REVISE ON CAD ONLY
		DRAFT WHERE APPLICABLE MUST REMAIN WITHIN DIMENSIONS	DRAWN BY DATE DXUE 2004/8/5 CHECKED BY DATE HARVEY 2004/8/5 APPROVED BY DATE SAM HUANG 2004/8/5	TITLE DVI-D RIGHT ANGLE RECEPTACLE CONNECTOR WITH EMI SHIELDING MOLEX INCORPORATED	
		THIS DRAWING CONTAINS INFORMATION THAT IS PROPRIETARY TO MOLEX INCORPORATED AND SHOULD NOT BE USED WITHOUT WRITTEN PERMISSION	MATERIAL NO. 743209124 DOCUMENT NO. SD-74320-051 SHEET NO. 1 OF 2		



PLATING OPTIONS:
 PLATING OPTION #1:
 FRONT SHIELD -- 150u"/3.75um MIN. BRIGHT TIN OVER
 50u"/1.27um MIN. NICKEL OVER COPPER FLASH.
 BACK SHIELD -- 50u"/1.27um MIN. BRIGHT TIN OVER
 50u"/1.27um MIN. NICKEL OVERALL.

 .075"/1.91mm CONTACTS -- SELECT 30u" GOLD AND
 100u"/2.50um MIN. SELECT PURE TIN
 OVER 50u"/1.27um MIN. NICKEL OVERALL.

MODIFICATION EC NO: SH2007-0083 DRWN: FANG05 2006/08/11 CHKD: HWANG 2006/08/11 APPR: JNCHEN 2006/08/11	DESCRIPTION REV B	QUALITY SYMBOLS ▽=0 ▽=0	GENERAL TOLERANCES (UNLESS SPECIFIED)		SCALE 4:1	DESIGN UNITS METRIC	THIRD ANGLE PROJECTION	REVISE ON CAD ONLY		
		4 PLACES ± --- ± --- 3 PLACES ± --- ± --- 2 PLACES ± 0.25 ± --- 1 PLACE ± 0.25 ± ---	mm INCH	DIMENSION STYLE MM ONLY	TITLE DVI-D RIGHT ANGLE RECEPTACLE CONNECTOR WITH EMI SHIELDING					
		DRAFT WHERE APPLICABLE MUST REMAIN WITHIN DIMENSIONS		DRAWN BY DXUE	DATE 2004/8/5	CHECKED BY HARVEY	DATE 2004/8/5	MATERIAL NO. 74320-9124	DOCUMENT NO. SD-74320-051	SHEET NO. 2 OF 2
		THIS DRAWING CONTAINS INFORMATION THAT IS PROPRIETARY TO MOLEX INCORPORATED AND SHOULD NOT BE USED WITHOUT WRITTEN PERMISSION		MOLEX INCORPORATED		MOLEX				