

PLEASE CHECK WWW.MOLEX.COM FOR LATEST PART INFORMATION

Part Number: [0876224004](#)
Status: **Active**
Overview: [extreme_powerplus_ssi](#)
Description: 6.35mm (.250") Pitch, Power, 2.54mm (.100") Pitch, Signal, EXTreme PowerPlus™ P-S-P Receptacle, Through Hole, Vertical, Power Beta 2, Signal 24, Power Alpha 2, 28 Circuits, Lead-free

Documents:

[3D Model](#) [Product Specification PS-87631-006 \(PDF\)](#)
[Drawing \(PDF\)](#) [RoHS Certificate of Compliance \(PDF\)](#)

General

Product Family	PCB Receptacles
Series	87622
Application	Board-to-Board
Overview	extreme_powerplus_ssi
Product Literature Order No	987650-3002
Product Name	EXTreme PowerPlus™

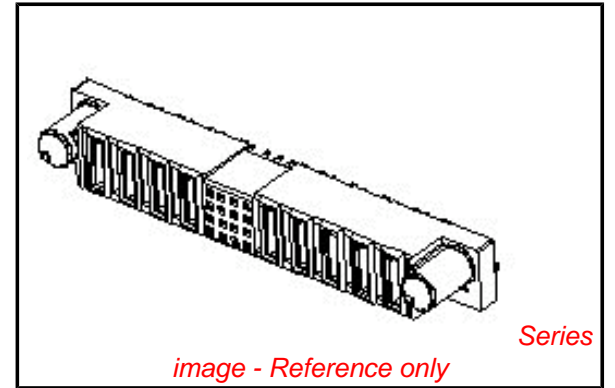
Physical

Circuits (Loaded)	28
Circuits Detail	Power Beta 2, Signal 24, Power Alpha 2
Color - Resin	Black
Durability (mating cycles max)	100
Glow-Wire Compliant	No
Lock to Mating Part	Yes
Material - Metal	Copper Alloy
Material - Plating Mating	Gold
Material - Plating Termination	Tin
Material - Resin	High Temperature Thermoplastic
Number of Rows	4
Orientation	Vertical
PC Tail Length (in)	0.135 In
PC Tail Length (mm)	3.43 mm
PCB Locator	No
PCB Retention	Yes
PCB Thickness Recommended (in)	0.093 In
PCB Thickness Recommended (mm)	2.36 mm
Packaging Type	Tray
Pitch - Mating Interface (in)	0.100 In, 0.250 In
Pitch - Mating Interface (mm)	2.54 mm, 6.35 mm
Plating min: Mating (µin)	30.4
Plating min: Mating (µm)	0.76
Plating min: Termination (µin)	101.6
Plating min: Termination (µm)	2.54
Polarized to Mating Part	Yes
Polarized to PCB	Yes
Surface Mount Compatible (SMC)	N/A
Temperature Range - Operating	-20°C to +105°C
Termination Interface: Style	Through Hole, Through Hole - Compliant Pin

Electrical

Current - Maximum per Contact	2.5A, 30A
Voltage - Maximum	250V DC

Solder Process Data



EU RoHS

ELV and RoHS Compliant
REACH SVHC
 Not Reviewed
Halogen-Free Status

China RoHS



Need more information on product environmental compliance?

Email productcompliance@molex.com
 For a multiple part number RoHS Certificate of Compliance, [click here](#)

Please visit the [Contact Us](#) section for any non-product compliance questions.

Search Parts in this Series

[87622Series](#)

Mates With

[87631 EXTreme PowerPlus™ P-S-P Header](#)

Duration at Max. Process Temperature (seconds)	10
Lead-free Process Capability	SMC & Wave Capable (TH only)
Max. Cycles at Max. Process Temperature	3
Process Temperature max. C	260

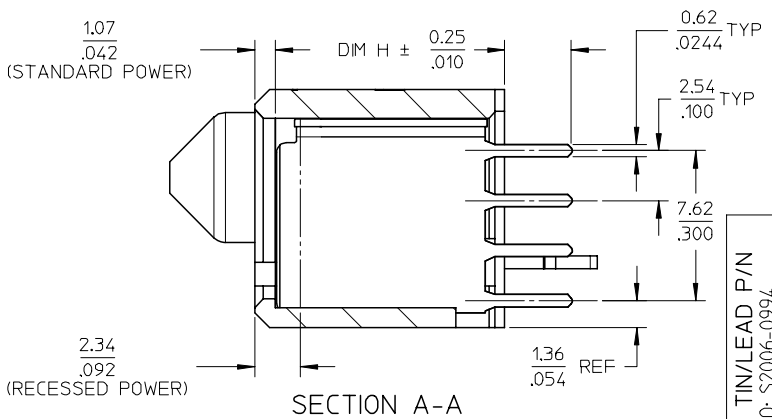
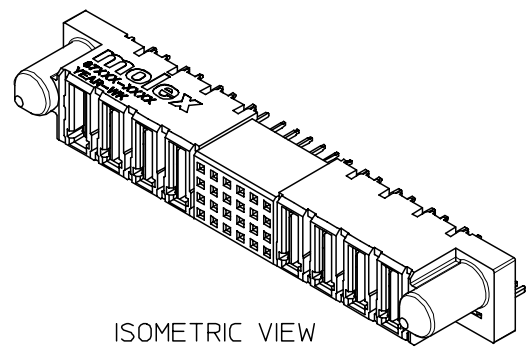
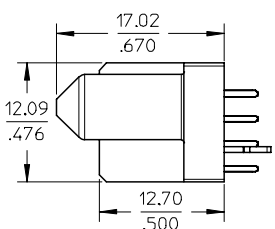
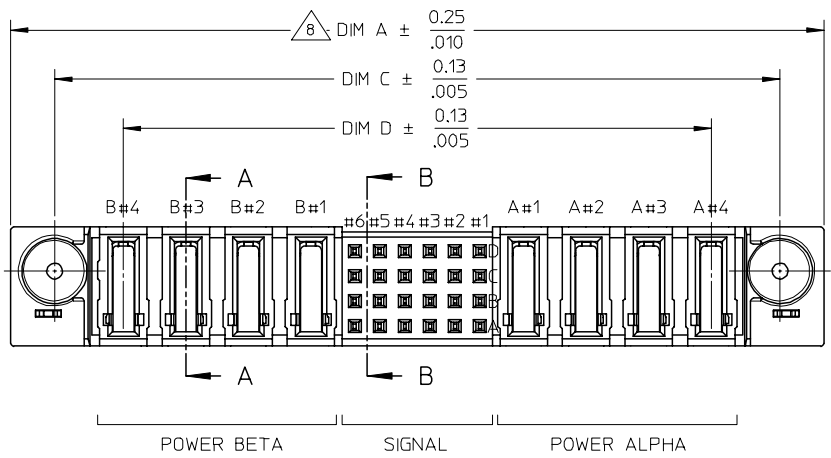
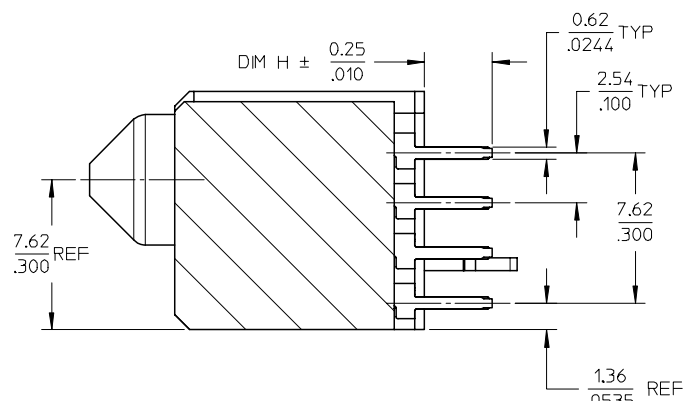
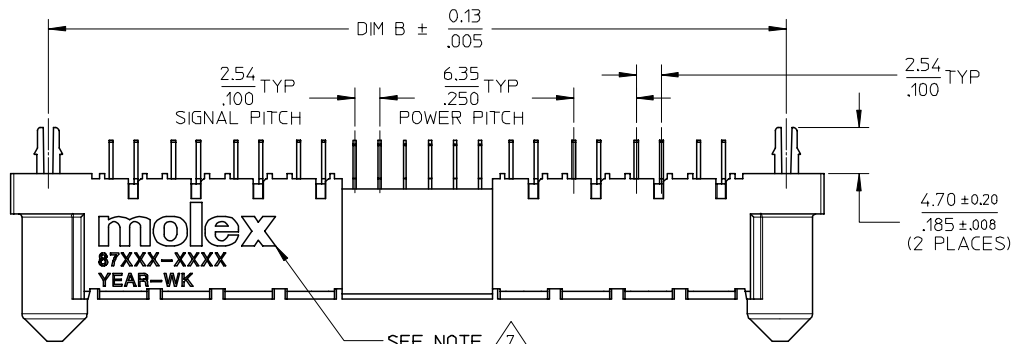
Material Info

Reference - Drawing Numbers

Application Specification	AS-87631-018
Product Specification	PS-87631-006
Sales Drawing	SD-87622-023

This document was generated on 05/21/2010

PLEASE CHECK WWW.MOLEX.COM FOR LATEST PART INFORMATION



OBS TIN/LEAD P/N EC NO: S2006-0994 DRWN:MLONG CHKD:CGOH APPR:PTLIM	REV D	DESCRIPTION QUALITY SYMBOLS ▽=0 ◁=0	GENERAL TOLERANCES (UNLESS SPECIFIED)		DIMENSION STYLE MM ONLY		SCALE NTS	DESIGN UNITS METRIC	THIRD ANGLE PROJECTION	
			4 PLACES ± ---	± ---	DRAWN BY KMG0H	DATE 2002/11/20	TITLE POWER CONN. RECEPTACLE P-S-P CONFIGURATION VERTICAL T/H, W/G POST	Molex MOLEX INCORPORATED		
DRAFT WHERE APPLICABLE MUST REMAIN WITHIN DIMENSIONS			2 PLACES ± 0.13	± ---	CHECKED BY PTLIM	DATE 2002/11/21	SD-87622-023			
			1 PLACE ± 0.25	± ---	APPROVED BY SKT0H	DATE 2002/11/21				
MATERIAL NO.			SEE TABLE		DOCUMENT NO.					
SIZE A3			THIS DRAWING CONTAINS INFORMATION THAT IS PROPRIETARY TO MOLEX INCORPORATED AND SHOULD NOT BE USED WITHOUT WRITTEN PERMISSION							

10 9 8 7 6 5 4 3 2 1

F F

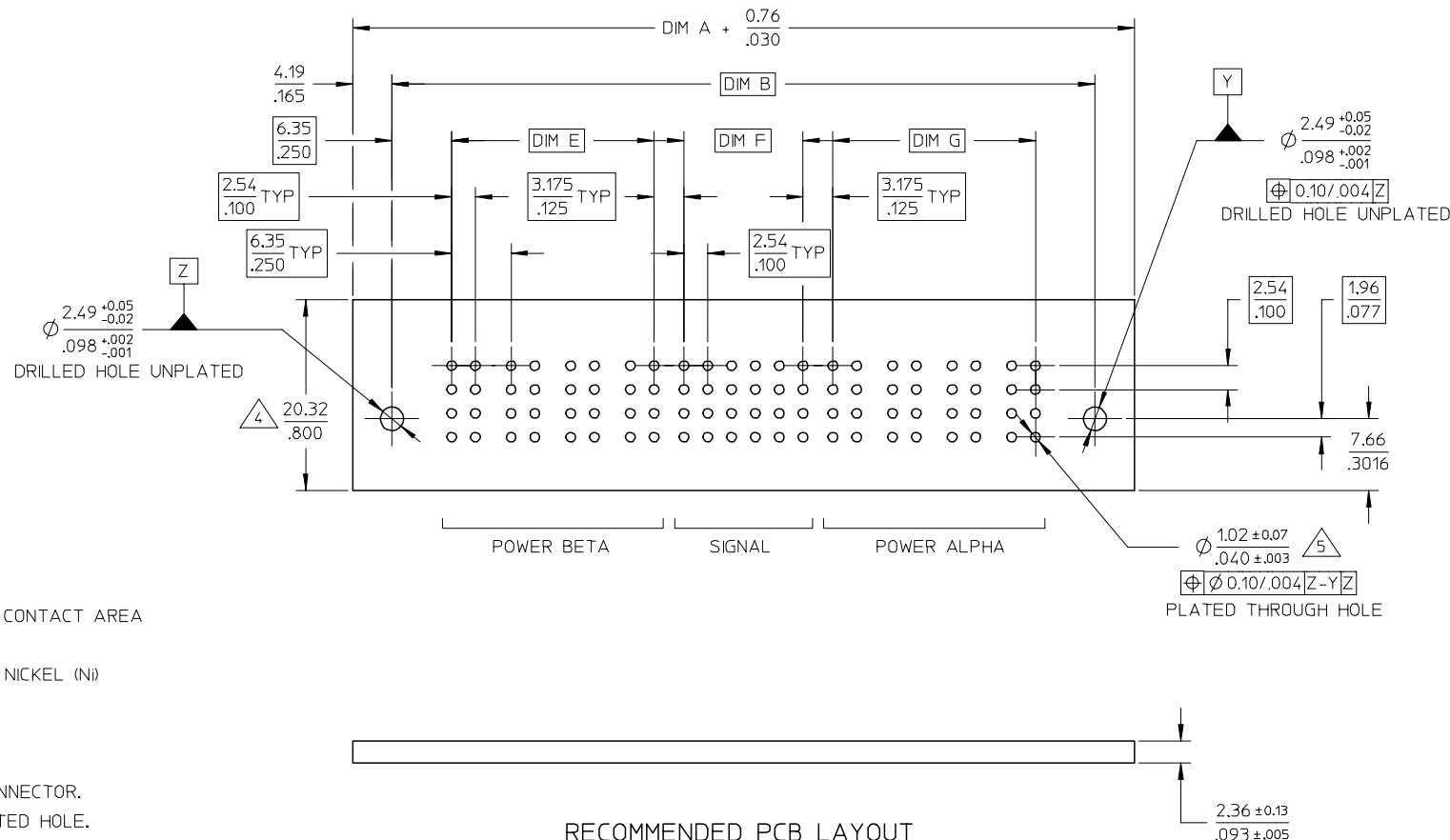
E E

D D

C C

B B

A A



- NOTES
- MATERIALS :
HOUSING - LCP, GLASS FILLED,
UL 94V-0, COLOR: BLACK.
SIGNAL TERMINAL - COPPER ALLOY
POWER TERMINAL - COPPER ALLOY
 - FINISH :
SIGNAL & POWER CONTACTS
0.76 MICROMETER MINIMUM GOLD (Au) AT CONTACT AREA
AND 2.54 MICROMETER MINIMUM TIN AT
SOLDERTAIL AREA OVER 1.27um MINIMUM NICKEL (Ni)
UNDERPLATE.
 - SPECIFICATIONS :
PRODUCT SPECIFICATION : PS-87631-006
 - COMPONENT STAY AWAY ZONE FROM CONNECTOR.
 - PCB NOTE FOR DIAMETER 1.02/.040 PLATED HOLE.
- DRILLED HOLE SIZE IS 1.151/.0453
- PLATED WITH 0.007/.0003 MINIMUM TIN
OVER 0.03/.001 TO 0.08/.003 COPPER PLATING TO ACHIEVE
1.02±0.08/.040±.003 HOLE.
 - ALL TERMINAL TIPS ARE DESIGNED WITH EXPOSED BASE COPPER.
THIS IS CREATED BY FINAL CUTTING PROCESS AFTER PLATING.
MANUFACTURER LOGO, PART NUMBER AND YEAR-WEEK CODE.
 - 4Pa-24S-4Pb CONFIGURATION IS SHOWN FOR ILLUSTRATION ONLY.
P-S-P CONFIGURATION IS AVAILABLE UP TO 203MM/8INCH.
PLEASE CONTACT MOLEX SALES PERSONNEL FOR OTHER
CONFIGURATION AND OPTION NEEDED.

RECOMMENDED PCB LAYOUT

OBS TIN/LEAD P/N EC NO: S2006-0994 DRWN:MLG CHKD:CGH APPR:PTL IM	2006/04/05 2006/04/05 2006/04/05	DESCRIPTION	QUALITY SYMBOLS ▽=0 ▽C=0	GENERAL TOLERANCES (UNLESS SPECIFIED)		DIMENSION STYLE MM ONLY		SCALE NTS	DESIGN UNITS METRIC	THIRD ANGLE PROJECTION
				mm	INCH	DRAWN BY KMG0H	DATE 2002/11/20	TITLE POWER CONN. RECEPTACLE P-S-P CONFIGURATION VERTICAL T/H, W/G POST		
REV	D	REV	DESCRIPTION	4 PLACES	± ---	± ---	CHECKED BY PTL IM	DATE 2002/11/21	MOLEX INCORPORATED	DOCUMENT NO. SD-87622-023
				3 PLACES	± ---	± ---	APPROVED BY SKTOH	DATE 2002/11/21		
				2 PLACES	± 0.13	± ---	MATERIAL NO.		SEE TABLE	
				1 PLACE	± 0.25	± ---	SIZE		THIS DRAWING CONTAINS INFORMATION THAT IS PROPRIETARY TO MOLEX INCORPORATED AND SHOULD NOT BE USED WITHOUT WRITTEN PERMISSION	
				ANGULAR ± 3 °						
				DRAFT WHERE APPLICABLE MUST REMAIN WITHIN DIMENSIONS						

PART NUMBER	P-S-P CONFIGURATION			RECESSED POWER CIRCUIT#	DIMENSIONS								PACKAGING
	POWER BETA	SIGNAL	POWER ALPHA		A	B	C	D	E	F	G	H ± 0.20 ± .008	
87622-4000	5	24	3	NIL	82.54 3.250	74.93 2.950	73.65 2.900	59.69 2.350	27.94 1.100	12.70 .500	15.24 .600	3.43 .135	TRAY
87622-4001	4	20	6	NIL	92.71 3.650	85.10 3.350	83.82 3.300	69.86 2.750	21.59 .850	10.16 .400	34.29 1.350	3.43 .135	
87622-4002	4	24	4	NIL	82.54 3.250	74.93 2.950	73.65 2.900	59.69 2.350	21.59 .850	12.70 .500	21.59 .850	3.43 .135	
87622-4003	3	24	3	NIL	69.84 2.750	62.23 2.450	60.95 2.400	46.99 1.850	15.24 .600	12.70 .500	15.24 .600	3.43 .135	
87622-4004	2	24	2	NIL	57.15 2.250	49.53 1.950	48.26 1.900	34.29 1.350	8.89 .350	12.70 .500	8.89 .350	3.43 .135	
87622-4009	4	20	4	NIL	80.00 3.150	72.39 2.850	71.11 2.800	57.15 2.250	21.59 .850	10.16 .400	21.59 .850	3.43 .135	
87622-4011	2	24	2	B2,A2	57.15 2.250	49.53 1.950	48.26 1.900	34.29 1.350	8.89 .350	12.70 .500	8.89 .350	3.43 .135	

OBS TIN/LEAD P/N EC NO: S2006-0994 DRWN:MLONG CHKD:CGOH APPR:PTL IM	2006/04/05 2006/04/05 2006/04/05	QUALITY SYMBOLS ▽=0 ∇=0	GENERAL TOLERANCES (UNLESS SPECIFIED)		DIMENSION STYLE MM ONLY		SCALE NTS	DESIGN UNITS METRIC	THIRD ANGLE PROJECTION				
					4 PLACES ± ---	± ---	DRAWN BY KMG0H	DATE 2002/11/20	TITLE POWER CONN. RECEPTACLE P-S-P CONFIGURATION VERTICAL T/H, W/G POST				
					3 PLACES ± ---	± ---	CHECKED BY PTL IM	DATE 2002/11/21					
					2 PLACES ± 0.13	± ---	APPROVED BY SKT0H	DATE 2002/11/21	MOLEX INCORPORATED				
					1 PLACE ± 0.25	± ---	MATERIAL NO.						
		ANGULAR ± 3 °		DRAFT WHERE APPLICABLE MUST REMAIN WITHIN DIMENSIONS		SEE TABLE							