

**PLEASE CHECK WWW.MOLEX.COM FOR LATEST PART INFORMATION**

**Part Number:** [1040480480](#)  
**Status:** **Active**  
**Overview:** [versablade](#)  
**Description:** 6.20mm (.244") Pitch Dual TPA

**Documents:**

[Drawing \(PDF\)](#) [RoHS Certificate of Compliance \(PDF\)](#)  
[Product Specification PS-104048-001 \(PDF\)](#)

**General**

Product Family	Accessories
Series	<a href="#">104048</a>
Component Type	Retainer
Overview	<a href="#">versablade</a>
Product Name	TPA™ - Term Pos Assurance

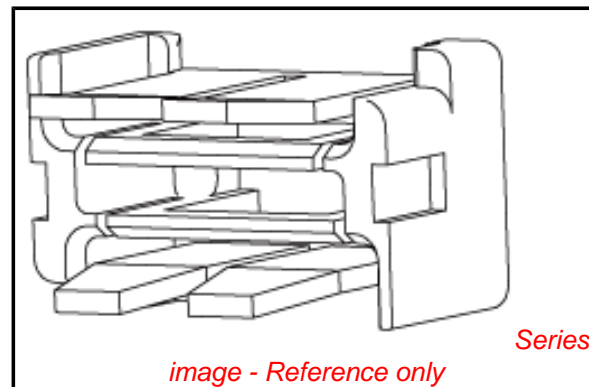
**Physical**

Circuits (Loaded)	0
Color - Resin	Natural
Lock to Mating Part	Yes
Material - Resin	High Temperature Thermoplastic

**Material Info**

**Reference - Drawing Numbers**

Packaging Specification	PK-104048-001
Product Specification	PS-104048-001
Sales Drawing	SD-104048-001



**EU RoHS**

**ELV and RoHS  
Compliant**  
**REACH SVHC  
Contains SVHC: No**  
**Halogen-Free  
Status**  
**Halogen-Free**

**China RoHS**

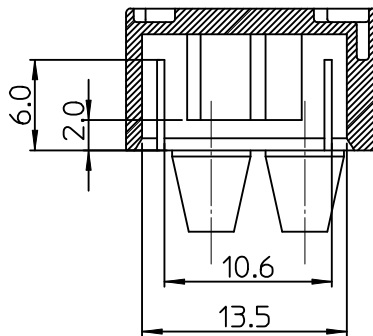
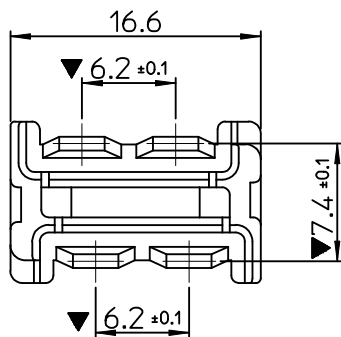


**Need more information on product  
environmental compliance?**

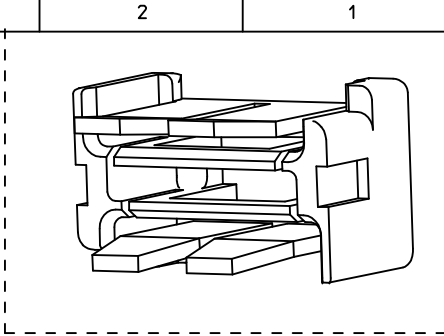
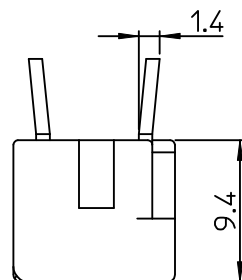
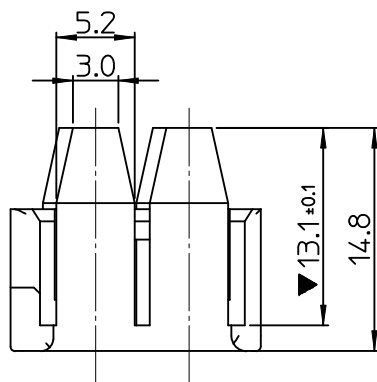
Email [productcompliance@molex.com](mailto:productcompliance@molex.com)  
 For a multiple part number RoHS Certificate of  
 Compliance, [click here](#)

Please visit the [Contact Us](#) section for any  
 non-product compliance questions.

**Search Parts in this Series**  
[104048Series](#)

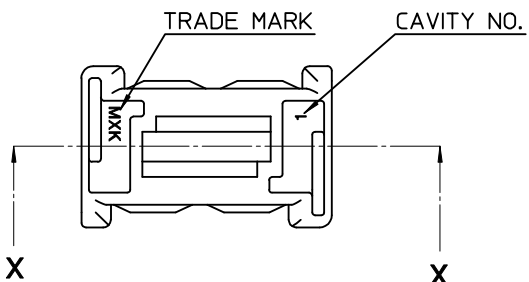


**SECTION X-X**



**NOTES.**

1. MATERIAL : PA66, UNFILLED UL94V-2
2. COLOR : 104048-0480 : NATURAL  
104048-0482 : RED  
104048-0483 : YELLOW  
104048-0484 : BLUE
3. MATED HOUSING : 35151-0210/0410
4. PRODUCT SPECIFICATION : PS-104048-001
5. PACKING SPECIFICATION : PK-104048-001



<b>NEW RELEASED</b> EC NO: KOR2009-0156 DRWN: JHPARK01 2009/06/17 CHKD: WY. YANG 2009/06/18 APPR: YUNS IKKIM 2009/06/18	QUALITY SYMBOLS ▽=0 ◻=0	GENERAL TOLERANCES (UNLESS SPECIFIED)		DIMENSION STYLE <b>MM ONLY</b>		SCALE <b>3:1</b>	DESIGN UNITS <b>METRIC</b>	THIRD ANGLE PROJECTION	
			m.m	INCH	DRAWN BY JH. PARK	DATE 2009/06/16	TITLE <b>6.2 W/W CONN. DUAL TPA</b>		
		4 PLACES ± ---	± ---	± ---	CHECKED BY WY. YANG	DATE 2009/06/16			
		3 PLACES ± ---	± ---	± ---	APPROVED BY EH. JUNG	DATE 2009/06/16	<b>MOLEX INCORPORATED</b>		
2 PLACES ± ---	± ---	± ---	MATERIAL NO. <b>1040480480</b>		DOCUMENT NO. <b>SD-104048-001</b>		SHEET NO. <b>1 OF 01</b>		
1 PLACE ± 0.30	± ---	± ---	ANGULAR ± 1 °		DRAFT WHERE APPLICABLE MUST REMAIN WITHIN DIMENSIONS				
SIZE <b>A3</b> THIS DRAWING CONTAINS INFORMATION THAT IS PROPRIETARY TO MOLEX INCORPORATED AND SHOULD NOT BE USED WITHOUT WRITTEN PERMISSION									