

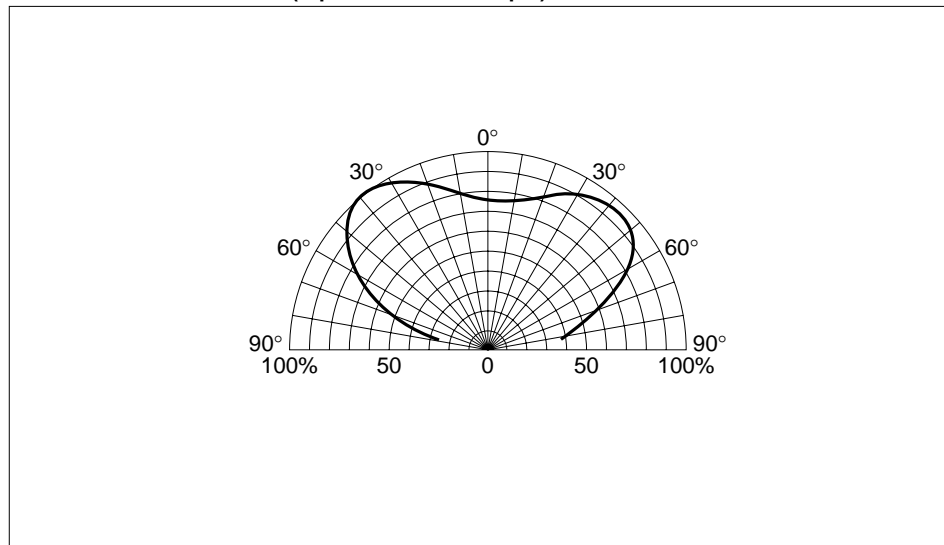
■3.0 × 1.5 Surface Mount LEDs (Flat Lens Type)

SEC1001 Series

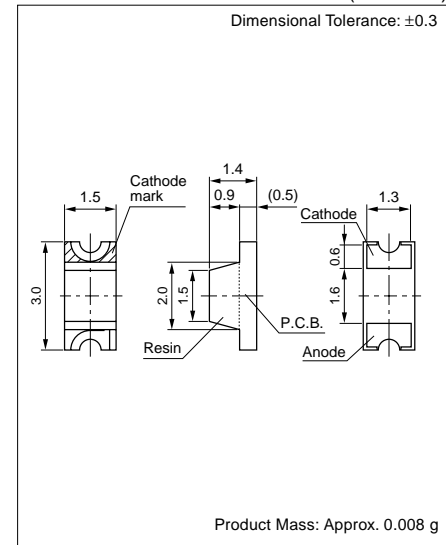
Part Number	Emitting Color	Lens Color	Forward Voltage		Conditions IF (mA)	Luminous Intensity		Peak Wavelength		Dominant Wavelength		Spectrum Half Bandwidth		Chip Material
			VF (V) TYP	MAX		I _v (mcd) TYP	Conditions IF (mA)	λ _P (nm) TYP	Conditions IF (mA)	λ _d (nm) TYP	Conditions IF (mA)	Δλ (nm) TYP	Conditions IF (mA)	
SEC1101C	Deep red	Water clear	2.0	2.5	10	1.5	20	700	10	625	10	100	10	GaP
SEC1601C	High luminosity red	Water clear	1.7	2.2	10	25	20	660	10	642	10	30	10	GaAlAs
SEC1201C	Red	Water clear	1.9	2.5	10	10	20	630	10	620	10	35	10	GaAsP
SEC1801C	Amber	Water clear	1.9	2.5	10	16	20	610	10	605	10	35	10	GaAsP
SEC1901C	Orange	Water clear	1.9	2.5	10	13	20	587	10	590	10	33	10	GaAsP
SEC1701C-YG	Yellow	Water clear	2.0	2.5	10	25	20	570	10	571	10	30	10	GaP
SEC1401C	Green	Water clear	2.0	2.5	10	22	20	560	10	567	10	20	10	GaP
SEC1401E-TG	Deep green	Transparent green	2.0	2.5	10	11	20	558	10	564	10	20	10	GaP
SEC1501C	Pure green	Water clear	2.0	2.5	10	8.0	20	555	10	559	10	20	10	GaP
SEC1E01C	Blue	Water clear	3.9	4.8	20	6.0	20	430	20	466	20	65	20	GaN
SECU1701C	Yellow	Water clear	2.1	2.5	20	50	20	572	20	571	20	15	20	AlGaInP
SECU1401C-S	Green	Water clear	2.1	2.5	20	13	20	562	20	562	20	12	20	AlGaInP
SECU1401C-TG	Green	Water clear	2.1	2.5	20	25	20	564	20	564	20	12	20	AlGaInP
SECK1E01C-D	Blue	Water clear	3.6	4.0	20	30	20	468	20	470	20	30	20	GaN on Si
SECK1WA01Y-D	White	Diffused yellow	3.6	4.0	20	60	20	Chromaticity: x=0.316, y=0.322				GaN on Si		
SECK1WC01Y-D	Bulb Light	Diffused yellow	3.6	4.0	20	45	20	Chromaticity: x=0.453, y=0.400				GaN on Si		
SECK1WD01G-D	Fancy blue green	Diffused green	3.6	4.0	20	50	20	Chromaticity: x=0.155, y=0.291				GaN on Si		
SECK1WH01G-D	Fancy green	Diffused green	3.6	4.0	20	75	20	Chromaticity: x=0.224, y=0.403				GaN on Si		
SECU1901C-S	Orange	Water clear	2.0	2.5	10	30	10	590	10	590	10	15	10	AlGaInP
SECT1D01C-S	Pure green	Water clear	3.3	4.0	20	180	20	515	20	520	20	35	20	InGaN
SECT1E01C-S	Blue	Water clear	3.3	4.0	20	50	20	460	20	465	20	25	20	InGaN

*Mass production in preparation

Directional Characteristics (representative example)



External Dimensions (Unit: mm)



5-1 Visible Light LEDs

Absolute Maximum Ratings

●Visible Light Unicolor Lamp

Parameter	Unit	Ratings					Conditions
		GaP	GaAsP	GaAlAs	AlGaInP	InGaN	
PD	mW	75			120		
IF	mA	30					
ΔIF	mA/°C	-0.45					25°C or higher
IFP	mA	100			70		f=1kHz, tw≤100μs
VR	V	3		5			
T _{op}	°C	-30 to +85				-30 to +80	
T _{stg}	°C	-30 to +100					

●Visible Light Bicolor Lamp

Parameter	Unit	Ratings					Conditions
		GaP	GaAsP	GaAlAs	AlGaInP	InGaN	
PD	mW	75			120		Same conditions for simultaneous lighting
IF	mA	30					
ΔIF	mA/°C	-0.45					25°C or higher
IFP	mA	100			70		f=1kHz, tw≤100μs
VR	V	4		5			
T _{op}	°C	-30 to +85				-30 to +80	
T _{stg}	°C	-30 to +100					

●Visible Light Unicolor Surface Mount LEDs

Parameter	Unit	Ratings					Conditions
		GaP	GaAsP	GaAlAs	AlGaInP	InGaN	
IF	mA	30			20		
ΔIF	mA/°C	-0.45					25°C or higher
IFP	mA	100 ^{*1}			70 ^{*2}		f=1kHz, tw≤100μs
VR	V	3		5			
T _{op}	°C	-30 to +85				-30 to +80	
T _{stg}	°C	-30 to +100					

*1: 70mA for SEC1005/1007 Series

*2: 50mA for SEC1005/1007 Series

●Visible Light Bicolor Surface Mount LEDs

Parameter	Unit	Ratings		Conditions
		SEC2002/2004		
PD	mW	75 (Same conditions for simultaneous lighting)		
IF	mA	30		
ΔIF	mA/°C	-0.45		25°C or higher
IFP	mA	70		f=1kHz, tw≤100μs
VR	V	4		
T _{op}	°C	-30 to +85		
T _{stg}	°C	-30 to +100		

●Visible Light Three Element Surface Mount LEDs

Parameter	Unit	Ratings		Conditions
		SECT3M02C-S		
		Red	Green/Blue	
PD	mW	75	120	When one chip lights up (same as green/blue for simultaneous lighting)
IF	mA	30		
ΔIF	mA/°C	-0.45		25°C or higher
IFP	mA	70	50	f=1kHz, tw≤100μs
VR	V	5		
T _{op}	°C	-30 to +80		
T _{stg}	°C	-30 to +100		