

## 10/100BASE-T QUAD PORT MODULE

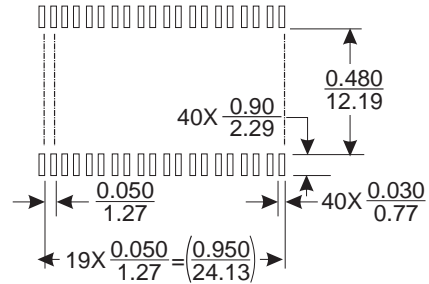
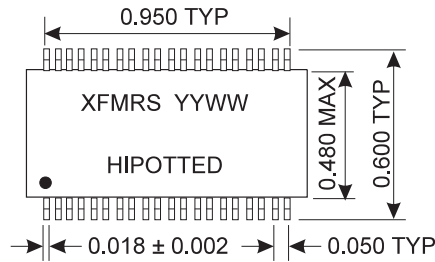
- MEETS OPEN CIRCUIT INDUCTANCE (OCL) SPECIFICATIONS OF 350uH MIN WITH 8mA DC BIAS FROM 0-70°C
- CMR CHOKE COIL OCL IS 30uH MIN
- CUSTOM DESIGNS AVAILABLE FOR MOST APPLICATIONS

### Electrical Specifications:

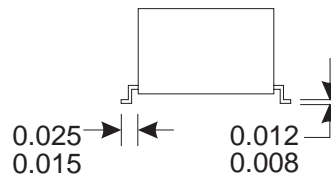
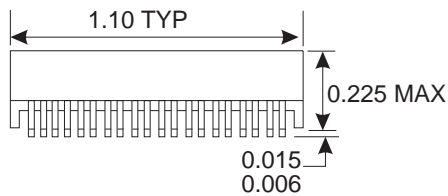
Part Number	Turns Ratio (±5%)		Insertion Loss 100KHz-100MHz (dB MAX)	Return Loss (dB MIN)		Crosstalk (dB TYP)			Hipot (Vrms MIN)
	Receive	Transmit		10-70 MHz	70-100 MHz	30 MHz	60 MHz	80 MHz	
XF6694Q1	1:1	2CT:1CT	-1.0	-20dB	-15dB	-40	-35	-35	1500
XFATM8Q1	1:1	1CT:1CT	-1.0	-20dB	-15dB	-40	-35	-35	1500
XFATM8Q2	1:1	1CT:1CT	-1.0	-20dB	-15dB	-40	-35	-35	1500
XFATM8Q3	1CT:1CT	1CT:1CT	-1.0	-20dB	-15dB	-40	-35	-35	1500
XFATM8Q4	1CT:1CT	1CT:1CT	-1.0	-20dB	-15dB	-40	-35	-35	1500
XFATM8Q5	1CT:1CT	2CT:1CT	-1.0	-20dB	-15dB	-40	-35	-35	1500
XFATM8Q6	1CT:1CT	2CT:1CT	-1.0	-20dB	-15dB	-40	-35	-35	1500
XFATM8Q7	1CT:1CT	1.25CT:1CT	-1.0	-20dB	-15dB	-40	-35	-35	1500
XFATM8Q7A	1:1	1.25CT:1CT	-1.0	-20dB	-15dB	-40	-35	-35	1500
XFATM8Q7B	1:1	1CT:1CT	-1.0	-20dB	-15dB	-40	-35	-35	1500
XFATM8Q8	1CT:1CT	1.25CT:1CT	-1.0	-20dB	-15dB	-40	-35	-35	1500
XFATM8Q9	1CT:1CT	1CT:1.41CT	-1.0	-20dB	-15dB	-40	-35	-35	1500
XFATM8Q10	1CT:1CT	1CT:1.41CT	-1.0	-20dB	-15dB	-40	-35	-35	1500
XFATM8Q11	1CT:1CT	1CT:1CT	-1.0	-20dB	-15dB	-40	-35	-35	1500
XFATM8Q11A	1CT:1CT	1CT:1CT	-1.0	-20dB	-15dB	-40	-35	-35	1500
XFATM8Q12	1:1	1CT:1CT	-1.0	-20dB	-15dB	-40	-35	-35	1500
XFATM8Q12A	1:1	1CT:1CT	-1.0	-20dB	-15dB	-40	-35	-35	1500
XFATM8Q13	1:1	1CT:1CT	-1.0	-20dB	-15dB	-40	-35	-35	1500
XFATM8Q13A	1:1	1CT:1CT	-1.0	-20dB	-15dB	-40	-35	-35	1500
XFATM8Q14	1:1	1CT:1CT	-1.0	-20dB	-15dB	-40	-35	-35	1500
XFATM8Q14A	1:1	1CT:1CT	-1.0	-20dB	-15dB	-40	-35	-35	1500
XFATM8Q15	1:1	2CT:1CT	-1.0	-20dB	-15dB	-40	-35	-35	1500
XFATM8Q15A	1:1	2CT:1CT	-1.0	-20dB	-15dB	-40	-35	-35	1500
XFATM8Q15B	1:1	2CT:1CT	-1.0	-20dB	-15dB	-40	-35	-35	1500
XFATM8Q16	1:1	2CT:1CT	-1.0	-20dB	-15dB	-40	-35	-35	1500
XFATM8Q17	1:1	2CT:1CT	-1.0	-20dB	-15dB	-40	-35	-35	1500
XF5208Q1	1:1	1CT:1CT	-1.0	-20dB	-15dB	-40	-35	-35	1500
XF5208Q2	1:1	1CT:1CT	-1.0	-20dB	-15dB	-40	-35	-35	1500
XF5208Q3	1CT:1CT	1CT:1CT	-1.0	-20dB	-15dB	-40	-35	-35	1500

## 10/100BASE-T QUAD PORT MODULE

### Dimensions:

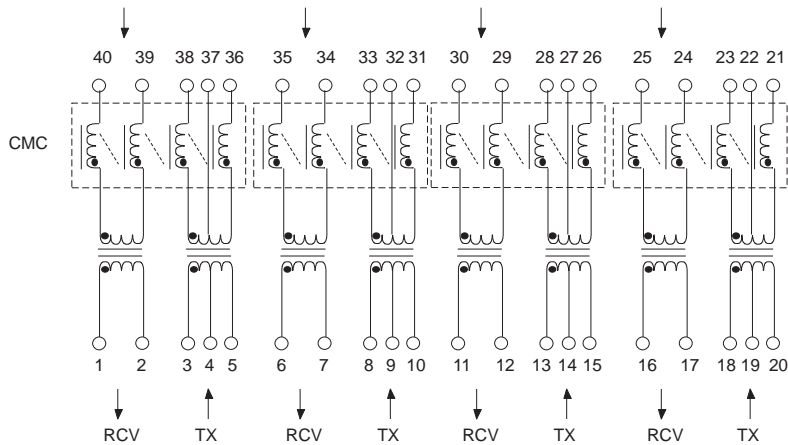


SUGGESTED PAD LAYOUT

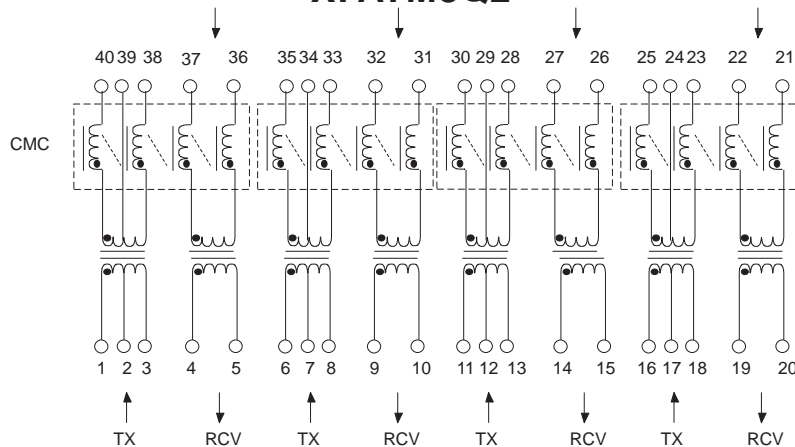


### Schematics:

#### XF6694Q1 & XFATM8Q1



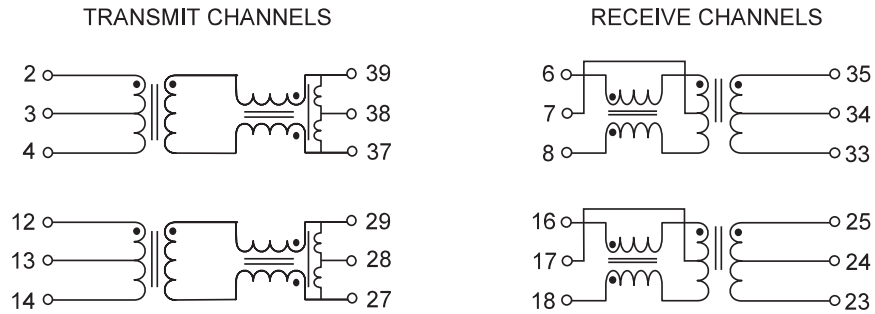
#### XFATM8Q2



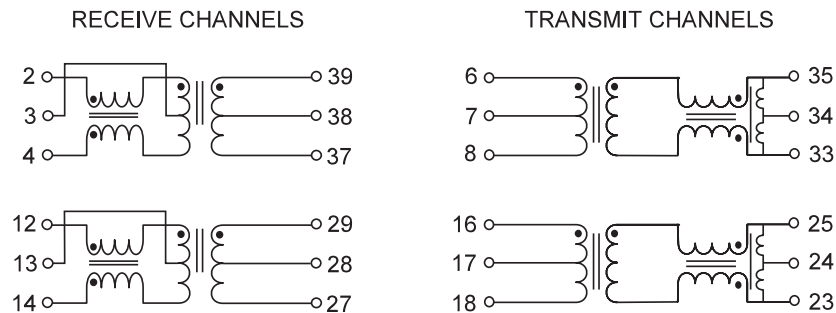
# 10/100BASE-T QUAD PORT MODULE

## Schematics:

### XFATM8Q3 , XFATM8Q5 XFATM8Q8 , XFATM8Q10



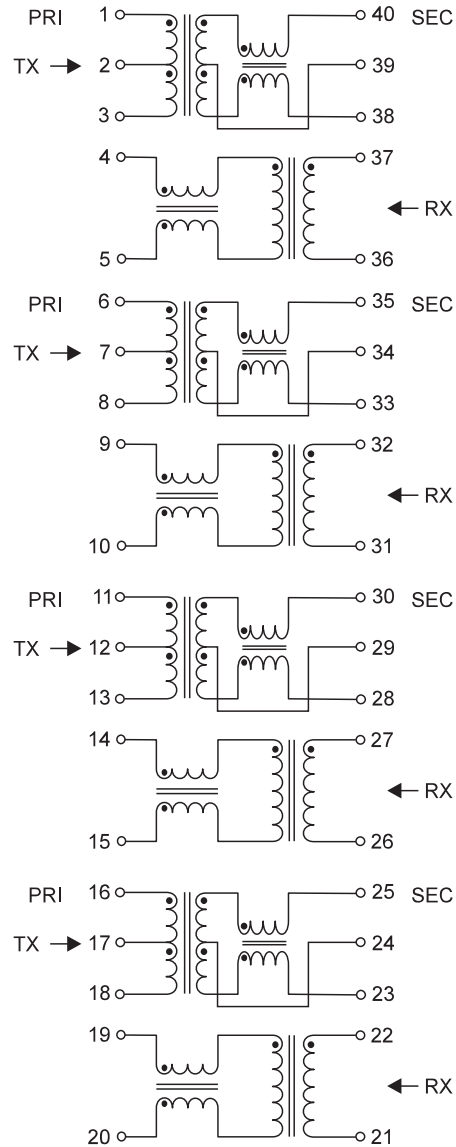
### XFATM8Q4 , XFATM8Q6 XFATM8Q7 , XFATM8Q9



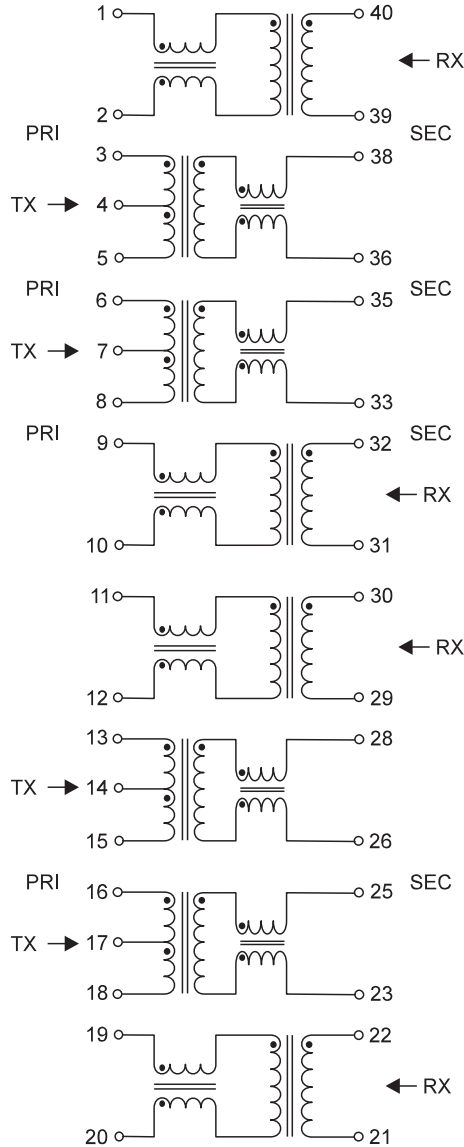
## 10/100BASE-T QUAD PORT MODULE

### Schematics:

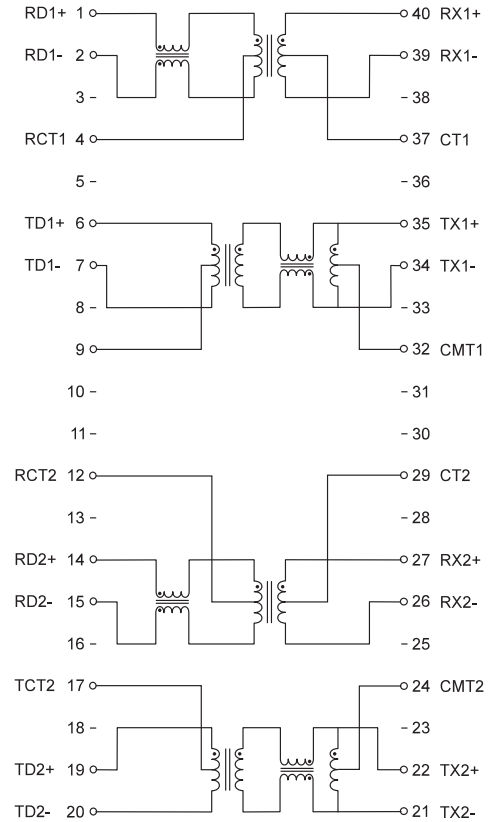
**XFATM8Q7A & XFATM8Q7B**  
**XFATM8Q15 & XFATM8Q15A**



**XFATM8Q15B**



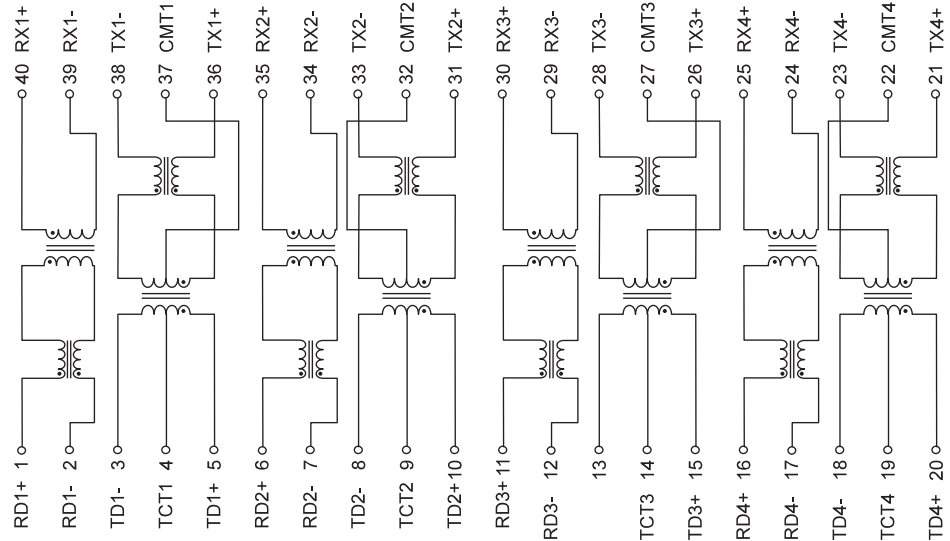
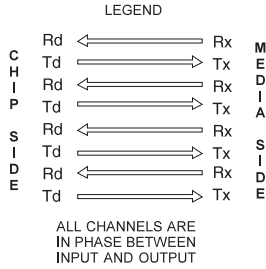
**XFATM8Q11**



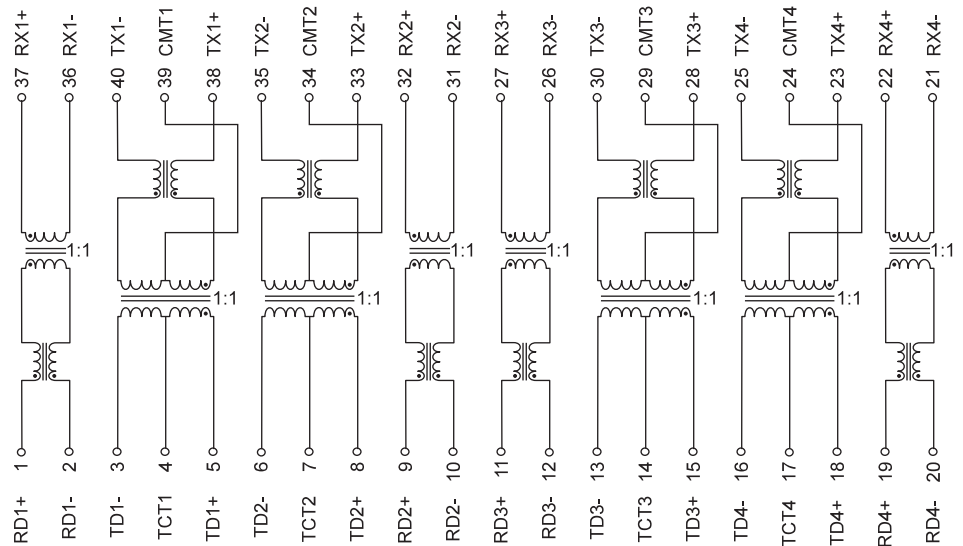
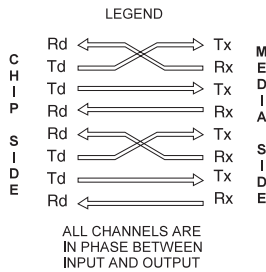
## 10/100BASE-T QUAD PORT MODULE

### Schematics:

#### XFATM8Q12 & XFATM8Q16



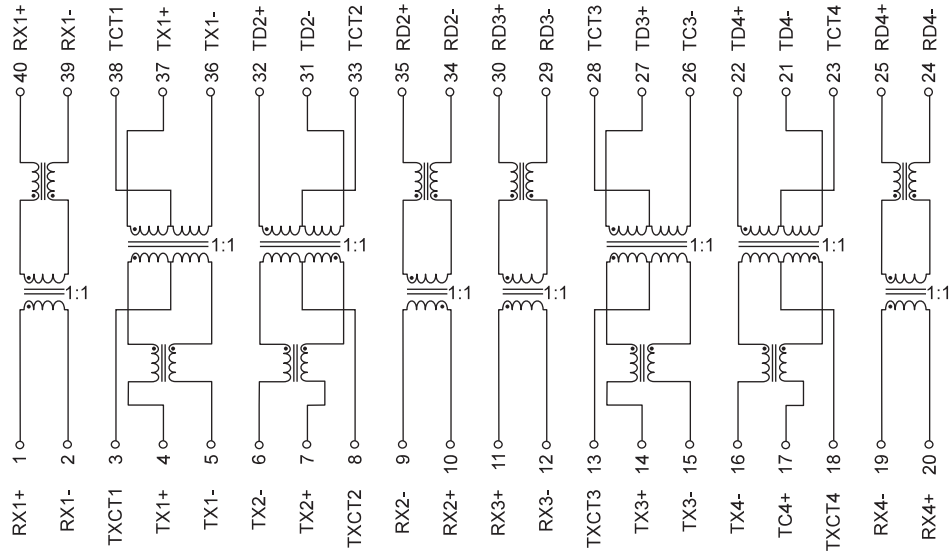
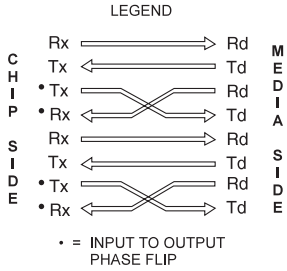
#### XFATM8Q12A



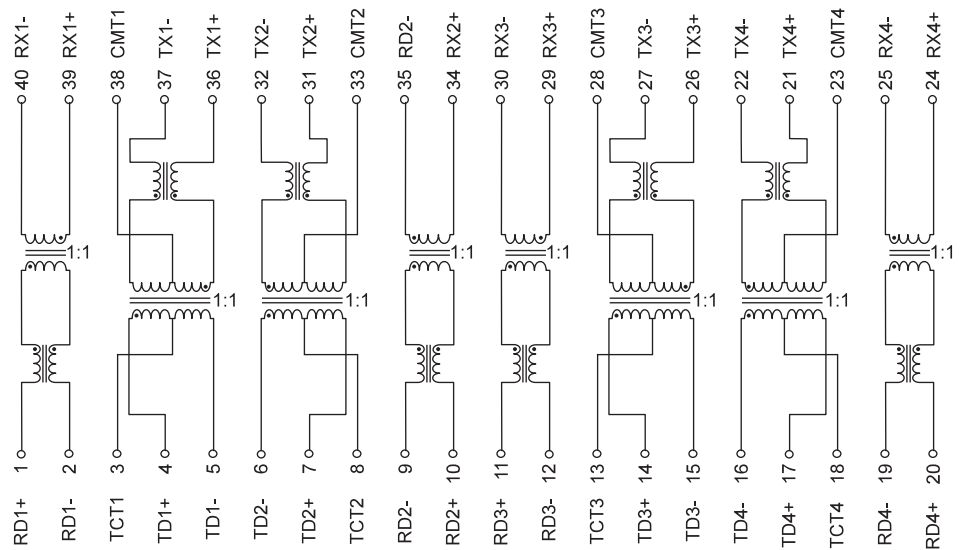
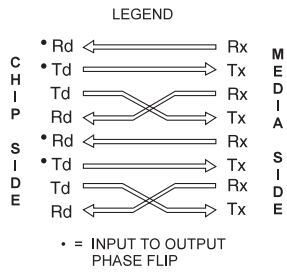
## 10/100BASE-T QUAD PORT MODULE

### Schematics:

#### XFATM8Q13



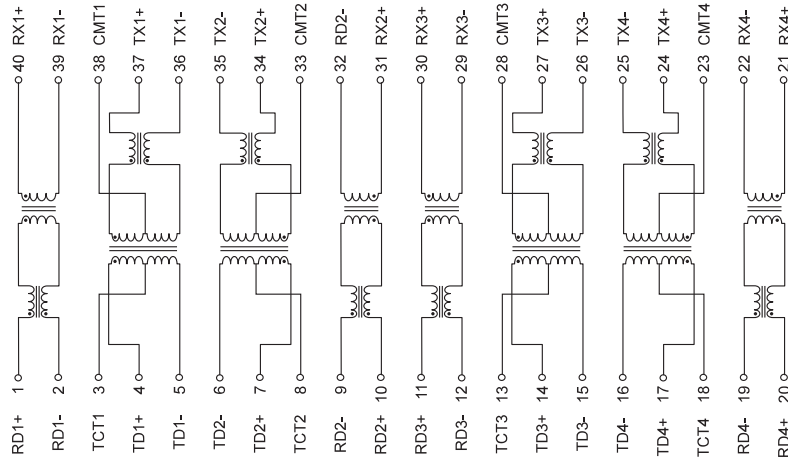
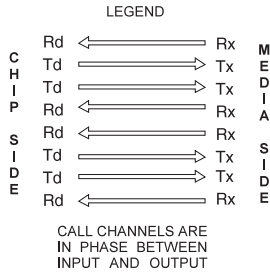
#### XFATM8Q13A



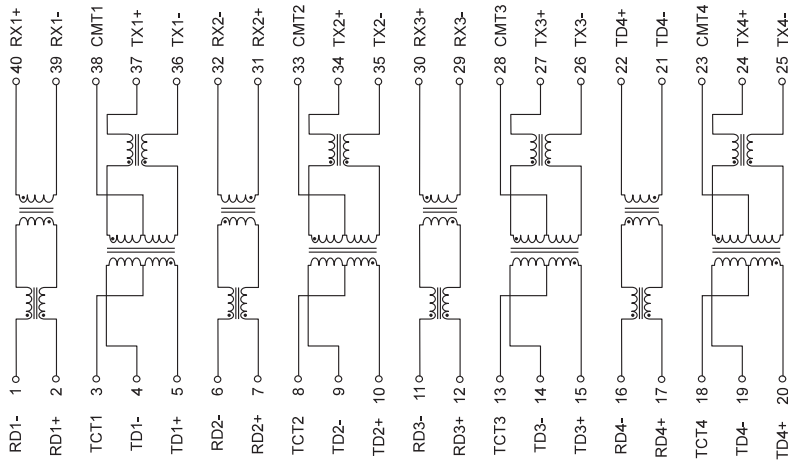
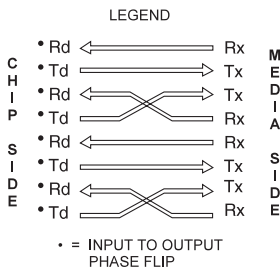
## 10/100BASE-T QUAD PORT MODULE

### Schematics:

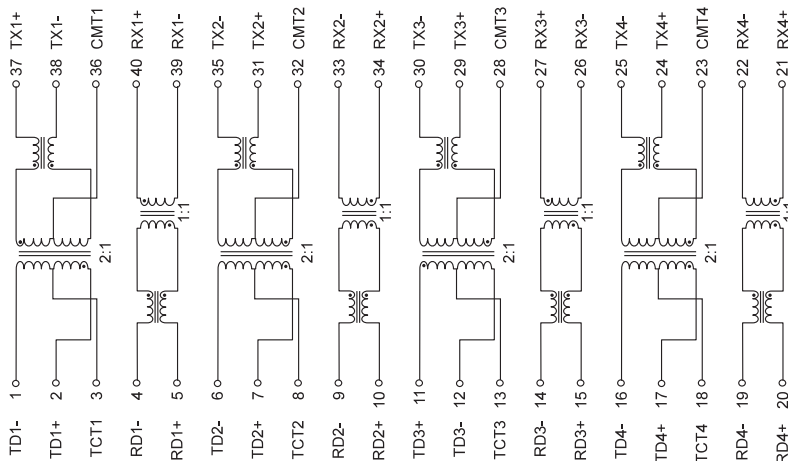
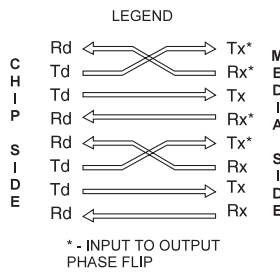
#### XFATM8Q14



#### XFATM8Q14A



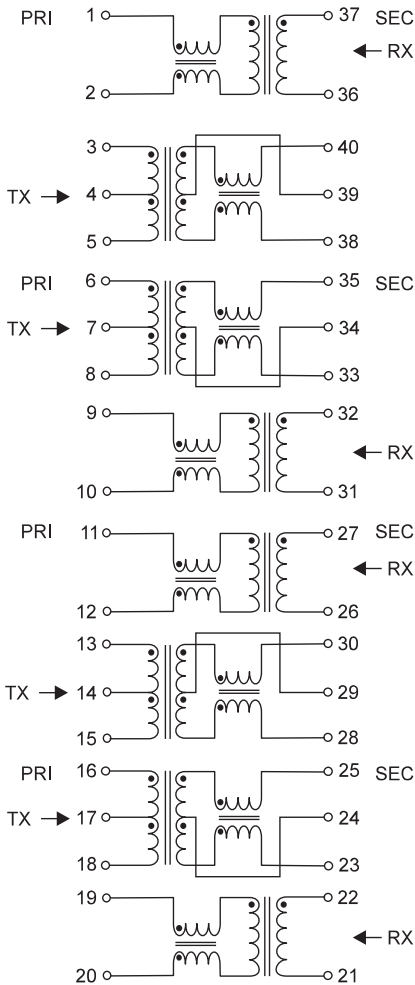
#### XFATM8Q17



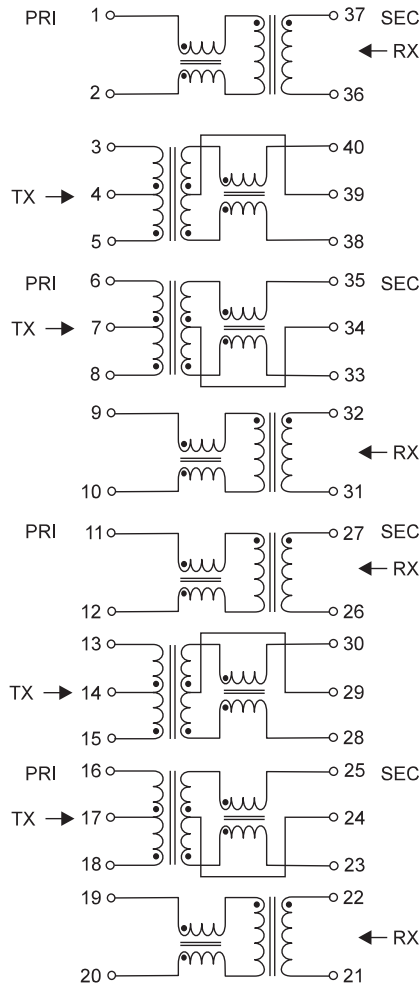
## 10/100BASE-T QUAD PORT MODULE

### Schematics:

**XF5208Q1**



**XF5208Q2**



**XF5208Q3**

