

**PLEASE CHECK WWW.MOLEX.COM FOR LATEST PART INFORMATION**

**Part Number:** [0190030071](#)  
**Status:** **Active**  
**Description:** InsulKrimp™ Quick Disconnect, Female, for 24-26 (0.20-0.12), Box, Tab 6.35mm (.250") x 0.81mm (.032")

**Documents:**

[Drawing \(PDF\)](#) [RoHS Certificate of Compliance \(PDF\)](#)  
[Product Specification PS-19902-008 \(PDF\)](#)

**General**

Product Family	Quick Disconnects
Series	19003
Comments	Funnel Entry
Crimp Quality Equipment	Yes
Product Name	InsulKrimp™
Type	Quick Disconnect

**Physical**

Barrel Type	Closed
Color - Resin	Natural
Gender	Female
Glow-Wire Compliant	No
Insulation	Nylon (PA)
Lock to Mating Part	None
Material - Metal	Brass
Material - Plating Mating	Tin
Material - Plating Termination	Tin
Material - Resin	Nylon
Orientation	Straight
Packaging Type	Bag
Plating min: Mating (µin)	160
Plating min: Mating (µm)	4
Plating min: Termination (µin)	160
Plating min: Termination (µm)	4
Polarized to Mating Part	No
Tab Thickness	0.81mm (.032")
Tab Width	6.35mm (.250")
Temperature Range - Operating	-65°C to +105°C
Termination Interface: Style	Crimp or Compression
Wire Insulation Diameter	1.90mm (.075") max.
Wire Size AWG	24, 26
Wire Size mm²	0.12 - 0.20

**Electrical**

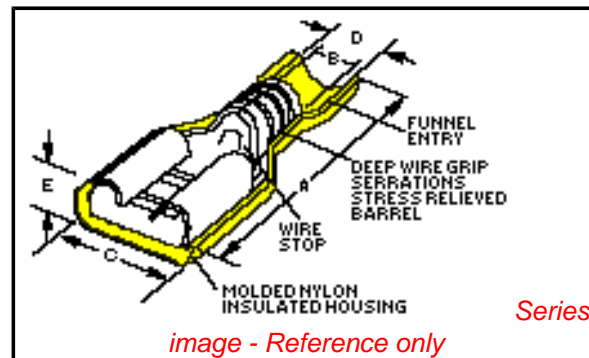
Voltage - Maximum	600V
-------------------	------

**Material Info**

Old Part Number	M-2212
-----------------	--------

**Reference - Drawing Numbers**

Product Specification	PS-19902-008
Sales Drawing	SD-19003-005



*image - Reference only*

**EU RoHS**

**ELV and RoHS Compliant**

**REACH SVHC**

Not Reviewed

**Halogen-Free**

Status

**Not Reviewed**

**Need more information on product environmental compliance?**

Email [productcompliance@molex.com](mailto:productcompliance@molex.com)  
 For a multiple part number RoHS Certificate of Compliance, [click here](#)

Please visit the [Contact Us](#) section for any non-product compliance questions.

**China RoHS**



**Search Parts in this Series**

[19003Series](#)

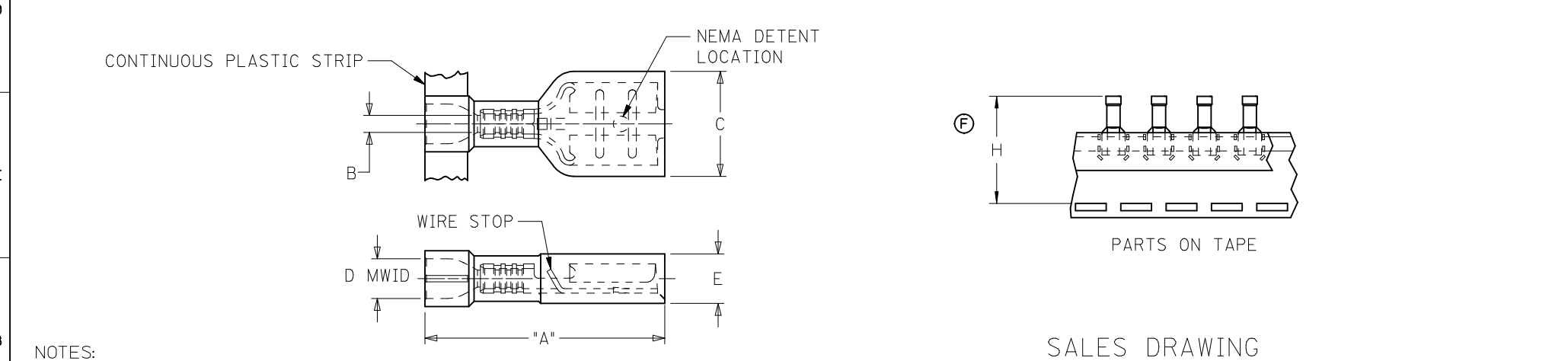
**Application Tooling | FAQ**

*Tooling specifications and manuals are found by selecting the products below. Crimp Height Specifications are then contained in the Application Tooling Specification document.*

**Global**

Description	Product #
Hand Crimp Tool	<a href="#">0640015200</a>
Crimp Head for the AT-200 Pneumatic Hand Tool	<a href="#">0640055200</a>

10	9	8	7	6	5	4	3	2	19003						
LOOSE PIECE MATERIAL NUMBER	LOOSE PIECE ENGRNG NUMBER	CONTINUOUS STRIP MATERIAL NUMBER	CONTINUOUS STRIP ENGRNG NUMBER	MYLAR TAPE MATERIAL NUMBER	MYLAR TAPE ENGRNG NUMBER	WIRE RANGE AWG	FITS MALE TAB SIZE	INSULATION COLOR	STOCK THICK.	"A" MAX.	"B" MIN.	"C" MAX.	"D" MWID	"E" MAX.	"H" NOMINAL
F 190030071	M-2212	190030106	M-2212C	190030073	M-2212T	26-24	.250x.032 (6.35x0.81)	YELLOW	.016/0.41	.86/21.8	.030/0.76	.38/9.7	.075/1.90	.18/4.6	1.415/35.94
190030064	M-2210	190030103	M-2210C	190030067	M-2210T	26-24	.187x.020 (4.75x0.51)	YELLOW	.016/0.41	.78/19.8	.030/0.76	.32/8.1	.075/1.90	.16/4.1	1.375/34.93
190030068	M-2211	190030104	M-2211C	190030070	M-2211T	26-24	.187x.032 (4.75x0.81)	DK YELLOW	.016/0.41	.78/19.8	.030/0.76	.32/8.1	.075/1.90	.16/4.1	1.375/34.93
190030001	AA-2201	190030105	AA-2201C	190030003	AA-2201T	22-18	.250x.032 (6.35x0.81)	RED	.016/0.41	.86/21.8	.058/1.47	.38/9.7	.135/3.43	.18/4.6	1.415/35.94
190030036	AA-2213	190030109	AA-2213C	190030074	AA-2213T	22-18	.205x.020 (5.21x0.51)	RED	.016/0.41	.78/19.8	.058/1.47	.32/8.1	.135/3.43	.16/4.1	1.375/34.93
190030038	AA-2214	190030110	AA-2214C	190030075	AA-2214T	22-18	.205x.032 (5.21x0.81)	PINK	.016/0.41	.78/19.8	.058/1.47	.32/8.1	.135/3.43	.16/4.1	1.375/34.93
190030011	AA-2202	190030107	AA-2202C	190030013	AA-2202T	22-18	.187x.020 (4.75x0.51)	RED	.016/0.41	.78/19.8	.058/1.47	.32/8.1	.135/3.43	.16/4.1	1.375/34.93
190030017	AA-2203	190030108	AA-2203C	190030020	AA-2203T	22-18	.187x.032 (4.75x0.81)	PINK	.016/0.41	.78/19.8	.058/1.47	.32/8.1	.135/3.43	.16/4.1	1.375/34.93
E 190030024	AA-2204	190030097	AA-2204C	190030026	AA-2204T	22-18	.110x.020 (2.79x0.51)	RED	.012/0.30	.78/19.8	.058/1.47	.23/5.9	.135/3.43	.15/3.8	1.390/35.31
190030030	AA-2205	190030098	AA-2205C	190030032	AA-2205T	22-18	.110x.032 (2.79x0.81)	PINK	.012/0.30	.78/19.8	.058/1.47	.23/5.9	.135/3.43	.15/3.8	1.390/35.31
190030040	BB-2206	190030041	BB-2206C	190030042	BB-2206T	16-14	.250x.032 (6.35x0.81)	BLUE	.016/0.41	.86/21.8	.083/2.10	.38/9.7	.160/4.06	.18/4.6	1.415/35.94
190030062	BB-2215	190030085	BB-2215C	190030077	BB-2215T	16-14	.205x.020 (5.21x0.51)	BLUE	.016/0.41	.78/19.8	.083/2.10	.32/8.1	.160/4.06	.17/4.3	1.405/35.69
190030063	BB-2216	190030086	BB-2216C	190030078	BB-2216T	16-14	.205x.032 (5.21x0.81)	AQUA	.016/0.41	.78/19.8	.083/2.10	.32/8.1	.160/4.06	.17/4.3	1.405/35.69
190030050	BB-2207	190030051	BB-2207C	190030052	BB-2207T	16-14	.187x.020 (4.75x0.51)	BLUE	.016/0.41	.78/19.8	.083/2.10	.32/8.1	.160/4.06	.17/4.3	1.405/35.69
190030056	BB-2208	190030057	BB-2208C	190030058	BB-2208T	16-14	.187x.032 (4.75x0.81)	AQUA	.016/0.41	.78/19.8	.083/2.10	.32/8.1	.160/4.06	.17/4.3	1.405/35.69
196060002	19606-0002	196060001	19606-0001	196060003	19606-0003	12-10	.250x.032 (6.35x0.81)	YELLOW	.018/0.46	1.03/26.1	.120/3.04	.38/9.7	.235/5.97	.22/5.6	1.530/38.86



- NOTES:
- MATERIAL: TERMINAL: BRASS  
PLATING: ELECTRO-TIN  
FERRULE: BRASS  
PLATING: ELECTRO-TIN  
INSULATION: NYLON 6/6 94V-2.  
COLOR: SEE CHART
  - MWID = MAXIMUM WIRE INSULATION DIAMETER
  - PARTS ARE ROHS COMPLIANT.

<b>BB 187 TAPE HTS</b> EC NO: WNA2010-0619 TDR: WNETHRODAHL 2010/04/12 CHKD: JMACNEIL 2010/04/13 APPR: JMACNEIL 2010/06/01	QUALITY SYMBOLS ▽=0 ▽=0	GENERAL TOLERANCES (UNLESS SPECIFIED) mm INCH 4 PLACES ± --- ± --- 3 PLACES ± --- ± --- 2 PLACES ± --- ± --- 1 PLACE ± --- ± --- ANGULAR ± ---°	DIMENSION STYLE IN/MM DRAWN BY DATE BRE 02/03/20 CHECKED BY DATE HEB 02/03/20 APPROVED BY DATE RWD 02/03/20	SCALE --- DESIGN UNITS INCH THIRD ANGLE PROJECTION	TITLE <b>INSULKRIMP FEMALE FIQD STANDARD FLARE</b>	
	MATERIAL NO. <b>SEE CHART</b>	DOCUMENT NO. <b>SD-19003-005</b>	SHEET NO. <b>1 OF 1</b>			
	DRAFT WHERE APPLICABLE MUST REMAIN WITHIN DIMENSIONS			THIS DRAWING CONTAINS INFORMATION THAT IS PROPRIETARY TO MOLEX INCORPORATED AND SHOULD NOT BE USED WITHOUT WRITTEN PERMISSION		
	MOLEX INCORPORATED					