

PLEASE CHECK WWW.MOLEX.COM FOR LATEST PART INFORMATION

Part Number: [0191930179](#)
Status: **Active**
Description: VersaKrimp™ Ring Tongue Terminal for 8 AWG Wire

Documents:
[Drawing \(PDF\)](#) [RoHS Certificate of Compliance \(PDF\)](#)

Agency Certification

CSA LR18689
 UL E32244

General

Product Family Ring and Spade Terminals
 Series [19193](#)
 Comments Type I Noninsulated; Class 2
 Crimp Quality Equipment Yes
 Mil-Spec AS20659-142, MS20659-142
 Product Name VersaKrimp™
 Type Ring

Physical

Barrel Type Closed - Brazed
 Insulation None
 Material - Plating Mating Tin
 Packaging Type Bag
 Plating min: Mating (µin) 100
 Plating min: Mating (µm) 2.5
 Plating min: Termination (µin) 100
 Plating min: Termination (µm) 2.5
 Stud Size 1/2" (M12)
 Termination Interface: Style Crimp or Compression
 Wire Size AWG 8
 Wire Size mm² 0.60 - 10.5

Material Info

Old Part Number D-352-12

Reference - Drawing Numbers

Sales Drawing SD-19193-036

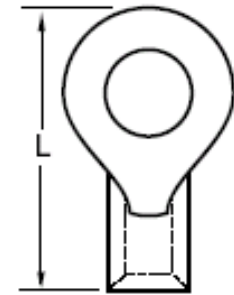


image - Reference only

Series

EU RoHS

**ELV and RoHS
 Compliant**

REACH SVHC

**Contains SVHC: No
 Halogen-Free**

Status

Halogen-Free

China RoHS



**Need more information on product
 environmental compliance?**

Email productcompliance@molex.com
 For a multiple part number RoHS Certificate of
 Compliance, [click here](#)

Please visit the [Contact Us](#) section for any
 non-product compliance questions.

Search Parts in this Series

[19193Series](#)

Application Tooling | [FAQ](#)

*Tooling specifications and manuals are
 found by selecting the products below.
 Crimp Height Specifications are then
 contained in the Application Tooling
 Specification document.*

Global

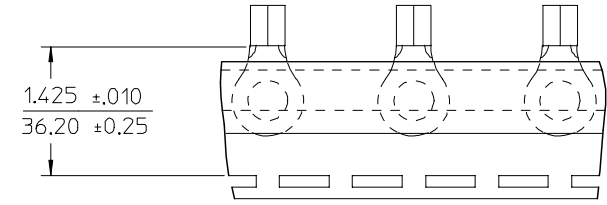
Description	Product #
Putt Pump Dieless Head System	0192860065
Manual tool for Crimping non-insulated 8AWG thru 4/0 Terminals	0192940008
Manual Putt Pump Hydraulic System, Die set required	0192860117
Die Set (large) for the HHLS Hydraulic Crimper	0192900001
Hand Crimp Tool	0640013900

Crimp Head for the 0640074400
AT-200™ Pneumatic
Hand Tool

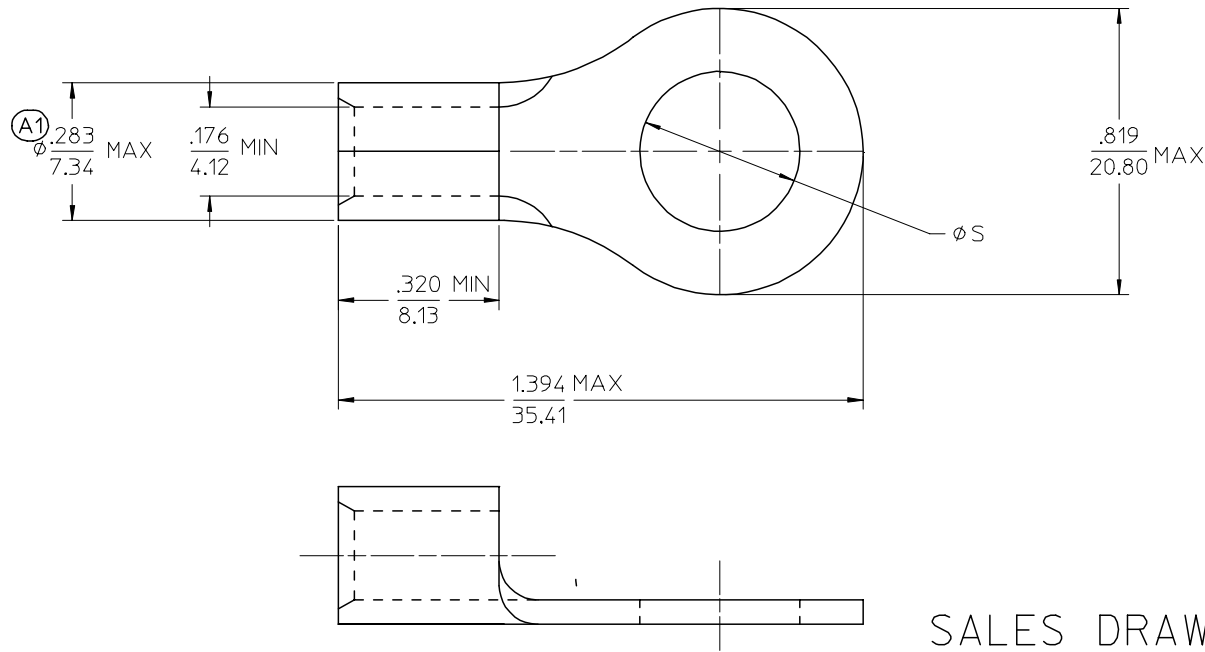
This document was generated on 04/14/2010

PLEASE CHECK WWW.MOLEX.COM FOR LATEST PART INFORMATION

MATERIAL NUMBER	ENGINEERING NUMBER	STUD SIZE	C ±.005/±0.13	PACKAGING
191930178	D-352-10	10	.198/5.03	LOOSE PIECE
191930182	D-352-14	1/4	.256/6.50	
191930185	D-352-56	5/16	.328/8.33	
191930184	D-352-38	3/8	.390/9.91	
191930187	D-352-76	7/16	.453/11.51	
191930179	D-352-12	1/2	.515/13.08	TAPE MOUNTED
191930186	D-352-58	5/8	.656/16.66	
191930189	D-352-76T	7/16	.453/11.51	
191930181	D-352-12T	1/2	.515/13.08	



PARTS ON TAPE
DOUBLE SPACED



SALES DRAWING

- NOTES:
- MATERIAL: COPPER .050/1.27 THK (REF).
PLATING: ELECTROPLATE TIN
 - ALL DIMENSIONS IN INCHES/(MM).
 - BRAZED SEAM.
 - TERMINAL INDICATED MUST MEET MS/AS-20659 TYPE 2 REQUIREMENTS.

TYPED ON OD EC NO: ETC2005-0145 DRWN: BENDERLE 2005/02/16 CHKD: JPANLICKI 2005/02/16 APPR: JPANLICKI 2005/02/16	QUALITY SYMBOLS	GENERAL TOLERANCES (UNLESS SPECIFIED)	DIMENSION STYLE	SCALE	DESIGN UNITS	THIRD ANGLE PROJECTION
	▽=0 ▽=0	mm INCH 4 PLACES ± --- ± --- 3 PLACES ± --- ± --- 2 PLACES ± --- ± --- 1 PLACE ± --- ± --- ANGULAR ± ---°	IN/MM	1:1	INCH	
	DRAWN BY DATE BENDERLE 2005/02/03 CHECKED BY DATE R DEROSS 2005/02/03 APPROVED BY DATE R DEROSS 2005/02/03	TITLE		RING TONGUE TERMINAL VERSAKRIMP		
	MATERIAL NO. SEE CHART SIZE B	DOCUMENT NO. SD-19193-036	MOLEX INCORPORATED SHEET NO. 1 OF 1			