

PLEASE CHECK WWW.MOLEX.COM FOR LATEST PART INFORMATION

Part Number: **0482006033**
Status: **Active**
Overview:
Description: 1.27mm (.050") Pitch Compact PCI Slot, Board-to-Board Edge Card Connector, Vertical, Double-Sided, Dual Read-Out, White, with Plastic Peg, Two End Cuts, 0.76µm (30µ") Gold (Au) Plating, 120 Circuits, Lead Free

General

Product Family	Edge Card Connectors
Series	48200
Comments	With Two End Cuts
Component Type	Edgecard to PCB
Overview	edge_card_connectors
Product Name	Edge Card

Physical

Circuits (Loaded)	120
Circuits (maximum)	120
Circuits Detail	All Signal
Durability (mating cycles max)	50
Entry Angle	Vertical (Top Entry)
Keying to Mating Part	Yes
Material - Metal	Phosphor Bronze
Material - Plating Mating	Gold
Material - Plating Termination	Tin
PC Tail Length (in)	0.118 In
PC Tail Length (mm)	3.00 mm
PCB Locator	Yes
PCB Retention	Yes
PCB Thickness Recommended (in)	0.062 In
PCB Thickness Recommended (mm)	1.60 mm
Packaging Type	Tray
Pitch - Mating Interface (in)	0.050 In
Pitch - Mating Interface (mm)	1.27 mm
Plating min: Mating (µin)	30
Plating min: Mating (µm)	0.76
Polarized to Mating Part	Yes
Temperature Range - Operating	-10°C to +85°C
Termination Interface: Style	Through Hole

Electrical

Current - Maximum per Contact	1A
Voltage - Maximum	30V

Solder Process Data

Duration at Max. Process Temperature (seconds)	10
Lead-free Process Capability	Wave Capable (TH only)
Max. Cycles at Max. Process Temperature	1
Process Temperature max. C	260

Material Info

Reference - Drawing Numbers

Packaging Specification	PK-48200-003
Product Specification	PS-48200-001
Test Summary	TS-48200-001

EU RoHS

**ELV and RoHS
Compliant**
**REACH SVHC
Contains SVHC: No**
**Halogen-Free
Status**

China RoHS



Not Halogen-Free

Need more information on product environmental compliance?

Email productcompliance@molex.com
 For a multiple part number RoHS Certificate of Compliance, [click here](#)

Please visit the [Contact Us](#) section for any non-product compliance questions.

Search Parts in this Series

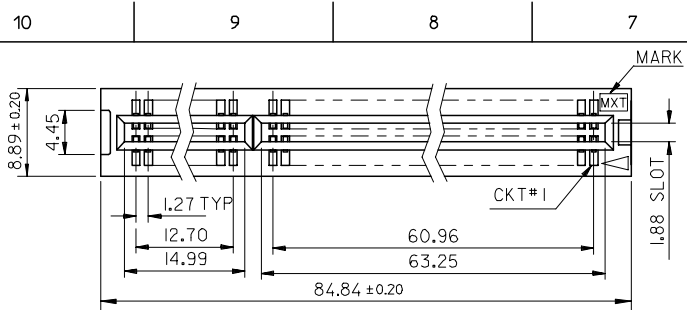
48200Series

Mates With

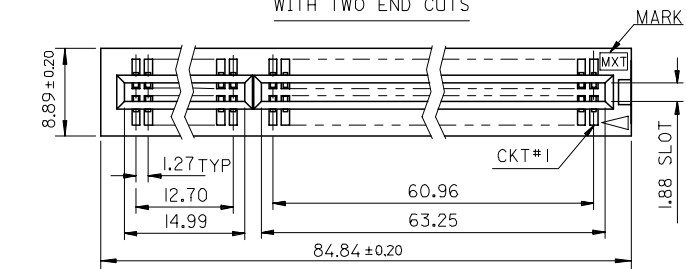
32-bit PCI card

This document was generated on 06/04/2010

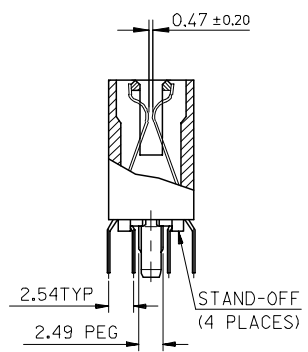
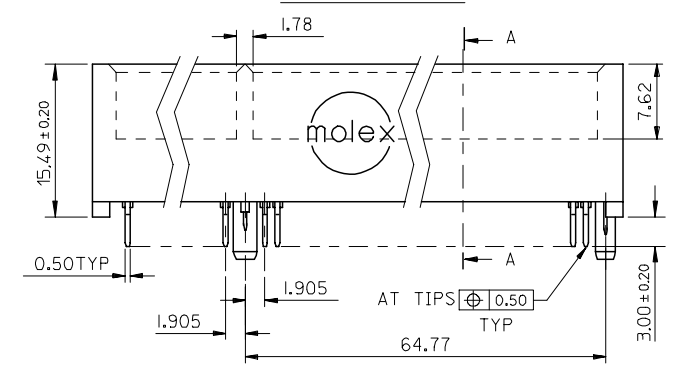
PLEASE CHECK WWW.MOLEX.COM FOR LATEST PART INFORMATION



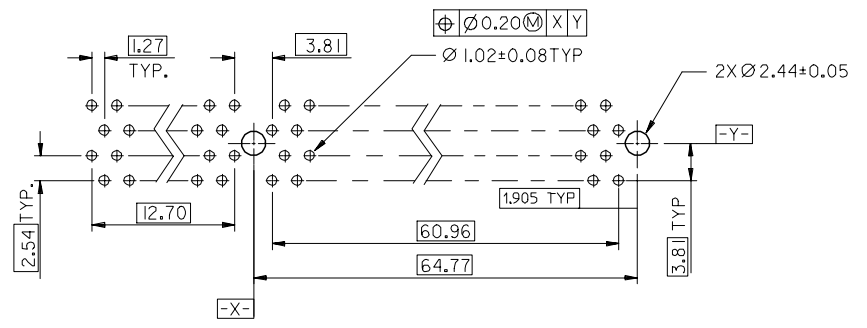
WITH TWO END CUTS



WITH ONE END CUT



SECTION A-A



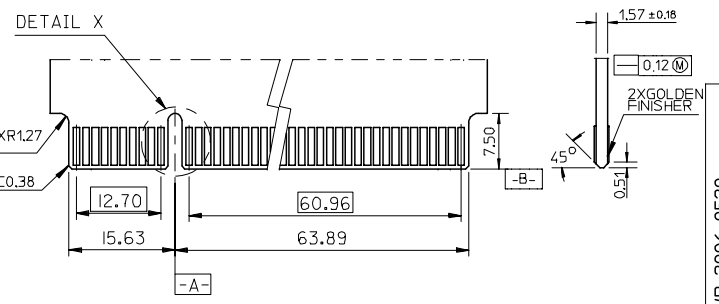
RECOMMENDED CONNECTOR MOUNTING HOLE PATTERN

NOTES:

- MATERIAL :
HOUSING - PPS
TERMINAL - PHOSPHOR BRONZE.
- FINISH 0 - GOLD FLASH IN CONTACT AREA, 1.52um/60uin MIN. TIN IN SOLDER TAIL, BOTH OVER 0.76um/30uin MIN. NICKEL OVERALL.
1 - 0.25um/10uin MIN. GOLD IN CONTACT AREA, 1.52um/60uin MIN. TIN IN SOLDER TAIL, BOTH OVER 0.76um/30uin MIN. NICKEL OVERALL.
2 - 0.38um/15uin MIN. GOLD IN CONTACT AREA, 1.52um/60uin MIN. TIN IN SOLDER TAIL, BOTH OVER 0.76um/30uin MIN. NICKEL OVERALL.
3 - 0.76um/30uin MIN. GOLD IN CONTACT AREA, 1.52um/60uin MIN. TIN IN SOLDER TAIL, BOTH OVER 0.76um/30uin MIN. NICKEL OVERALL.
4 - 0.50um/20uin MIN. GOLD IN CONTACT AREA, 1.52um/60uin MIN. TIN IN SOLDER TAIL, BOTH OVER 0.76um/30uin MIN. NICKEL OVERALL.
- PRODUCT SPEC : PER PS-48200-001
- TEST SUMMARY : PER TS-48200-001
- PACKAGE SPEC : PER PK-48200-001
- LEAD-FREE AND ROHS COMPLIANCE PRODUCT

PART NO. LEGEND : 48200 - 6 0 **

PEG VERSION & COLOR	PLATING VERSION
0 : STANDARD ; BROWN ,WITH ONE END CUT	0
1 : STANDARD ; WHITE ,WITH ONE END CUT	1
2 : STANDARD ; BROWN ,WITH TWO END CUTS	2
3 : STANDARD ; WHITE ,WITH TWO END CUTS	4



RECOMMENDED MATING P.C.BOARD EDGE CONFIGURATION

EWR 2006-0520 EC NO: SH2006-0520 DRWN: ALLIN 2006/06/26 CHKD: 2006/06/27 APPR: WWSCHANG 2006/06/30	DESCRIPTION	2X GOLDEN GENERAL TOLERANCES (UNLESS SPECIFIED)	DIMENSION STYLE	SCALE	DESIGN UNITS	THIRD ANGLE PROJECTION																																		
	REV	mm	MM ONLY	METRIC																																				
		INCH																																						
		ANGULAR ± 3°																																						
	DRAFT WHERE APPLICABLE MUST REMAIN WITHIN DIMENSIONS	<table border="1"> <tr> <td>4 PLACES</td> <td>± ---</td> <td>± ---</td> </tr> <tr> <td>3 PLACES</td> <td>± ---</td> <td>± ---</td> </tr> <tr> <td>2 PLACES</td> <td>± 0.25</td> <td>± ---</td> </tr> <tr> <td>1 PLACE</td> <td>± 0.25</td> <td>± ---</td> </tr> </table>	4 PLACES	± ---	± ---	3 PLACES	± ---	± ---	2 PLACES	± 0.25	± ---	1 PLACE	± 0.25	± ---	<table border="1"> <tr> <td>DRAWN BY</td> <td>DATE</td> <td>TITLE</td> </tr> <tr> <td>TOM</td> <td>2005/02/04</td> <td>ASS'Y 1.27MM EDGE CARD CONNECTOR (120 CKTS) (LEAD-FREE VERSION)</td> </tr> <tr> <td>CHECKED BY</td> <td>DATE</td> <td></td> </tr> <tr> <td>ALL IN</td> <td>2005/02/04</td> <td></td> </tr> <tr> <td>APPROVED BY</td> <td>DATE</td> <td></td> </tr> <tr> <td>WWSCHANG</td> <td>2005/02/04</td> <td></td> </tr> </table>	DRAWN BY	DATE	TITLE	TOM	2005/02/04	ASS'Y 1.27MM EDGE CARD CONNECTOR (120 CKTS) (LEAD-FREE VERSION)	CHECKED BY	DATE		ALL IN	2005/02/04		APPROVED BY	DATE		WWSCHANG	2005/02/04		<table border="1"> <tr> <td>MATERIAL NO.</td> <td>DOCUMENT NO.</td> <td>SHEET NO.</td> </tr> <tr> <td>SEE TABLE</td> <td>SD-48200-003</td> <td>1 OF 1</td> </tr> </table>	MATERIAL NO.	DOCUMENT NO.	SHEET NO.	SEE TABLE	SD-48200-003	1 OF 1
4 PLACES	± ---	± ---																																						
3 PLACES	± ---	± ---																																						
2 PLACES	± 0.25	± ---																																						
1 PLACE	± 0.25	± ---																																						
DRAWN BY	DATE	TITLE																																						
TOM	2005/02/04	ASS'Y 1.27MM EDGE CARD CONNECTOR (120 CKTS) (LEAD-FREE VERSION)																																						
CHECKED BY	DATE																																							
ALL IN	2005/02/04																																							
APPROVED BY	DATE																																							
WWSCHANG	2005/02/04																																							
MATERIAL NO.	DOCUMENT NO.	SHEET NO.																																						
SEE TABLE	SD-48200-003	1 OF 1																																						
THIS DRAWING CONTAINS INFORMATION THAT IS PROPRIETARY TO MOLEX INCORPORATED AND SHOULD NOT BE USED WITHOUT WRITTEN PERMISSION																																								