

PLEASE CHECK WWW.MOLEX.COM FOR LATEST PART INFORMATION

Part Number: **0587231010**
Status: **Active**
Description: HMC™ Rectangular Industrial Hood, Multi-Module Type, Right Angle, External Thread, 48-72 Circuits

Documents:

[3D Model](#)
[Drawing \(PDF\)](#)
[Product Specification PS-58719-005 \(PDF\)](#)
[Product Specification PS-58719-006 \(PDF\)](#)
[RoHS Certificate of Compliance \(PDF\)](#)

General

Product Family	I/O Connectors
Series	58723
Application	Panel-Mount
Component Type	Hood
Product Name	HMC™
Type	N/A

Physical

Circuits (Loaded)	48
Circuits (maximum)	48
Durability (mating cycles max)	50
Lock to Mating Part	Yes
Material - Metal	Stainless Steel
Material - Plating Mating	n/a
Orientation	Right Angle
Packaging Type	Bag
Panel Mount	N/A
Pitch - Mating Interface (in)	0.000 In
Pitch - Mating Interface (mm)	0.00 mm
Pitch - Term. Interface (in)	0.000 In
Pitch - Term. Interface (mm)	0.00 mm
Polarized to Mating Part	Yes
Temperature Range - Operating	-55°C to +125°C
Termination Interface: Style	N/A
Waterproof / Dustproof	Yes
Waterproof / Dustproof Type	IP65

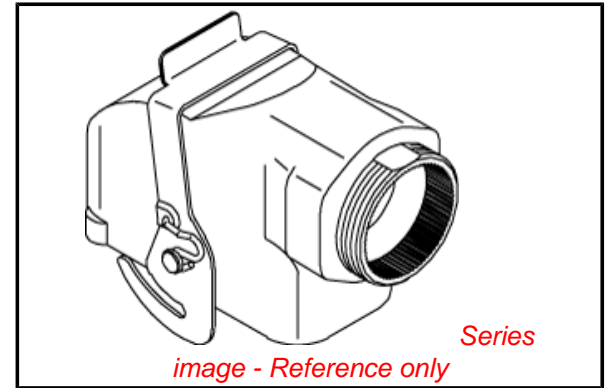
Electrical

Current - Maximum per Contact	13A, 20A
Voltage - Maximum	300V DC

Material Info

Reference - Drawing Numbers

Product Specification	PS-58719-005, PS-58719-006, RPS-58719-003, RPS-58719-004, RPS-58719-008
Sales Drawing	SD-58723-006



EU RoHS

RoHS Compliant by Exemption

REACH SVHC

Not Reviewed

Halogen-Free

Status

Not Reviewed

Need more information on product environmental compliance?

Email productcompliance@molex.com
 For a multiple part number RoHS Certificate of Compliance, [click here](#)

Please visit the [Contact Us](#) section for any non-product compliance questions.

China RoHS



Search Parts in this Series

[58723Series](#)

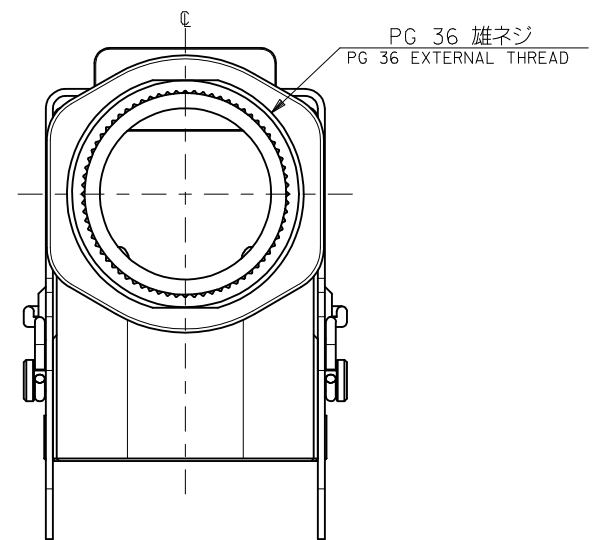
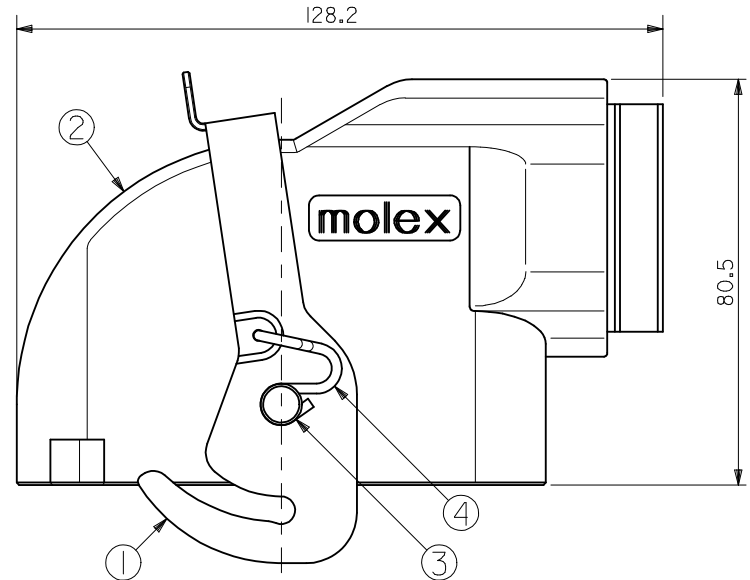
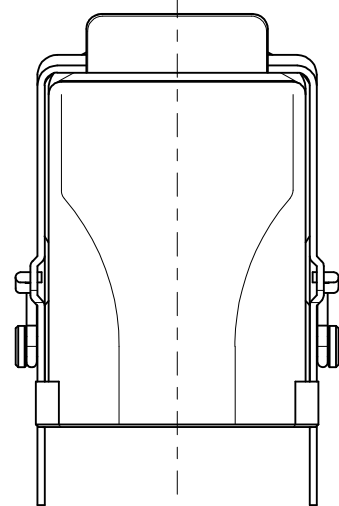
Mates With

[58719-0010](#) Panel-Mount Bracket Type A Polarization, [58719-0020](#) Panel-Mount Bracket Type B Polarization

Use With

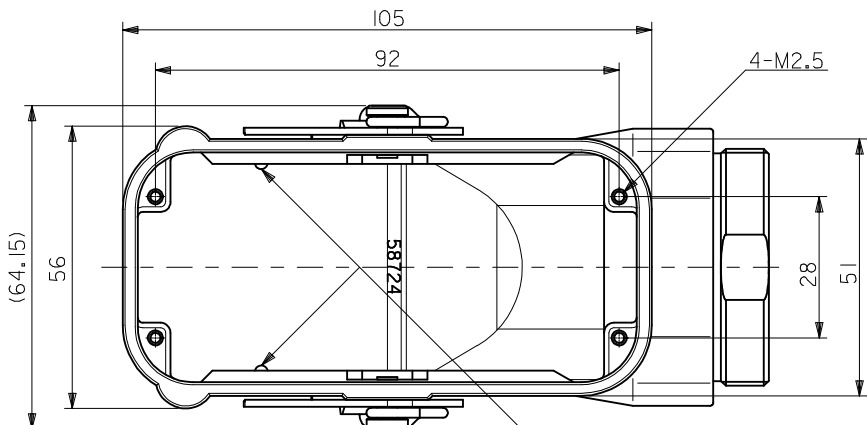
[58866](#) end bell cap assembly, [58721](#) hood bracket

10 9 8 7 6 5 4 3 2 1



注記:
NOTES.

1. 適用プラグシェルアッセンブリ
APPLICABLE PLUG SHELL ASS'Y
 - 1.) TYPE A : 58721-0010
 - 2.) TYPE B : 58721-0020
2. 適用エンドベルキャップセット
APPLICABLE END BELL CAP SET
58866-****

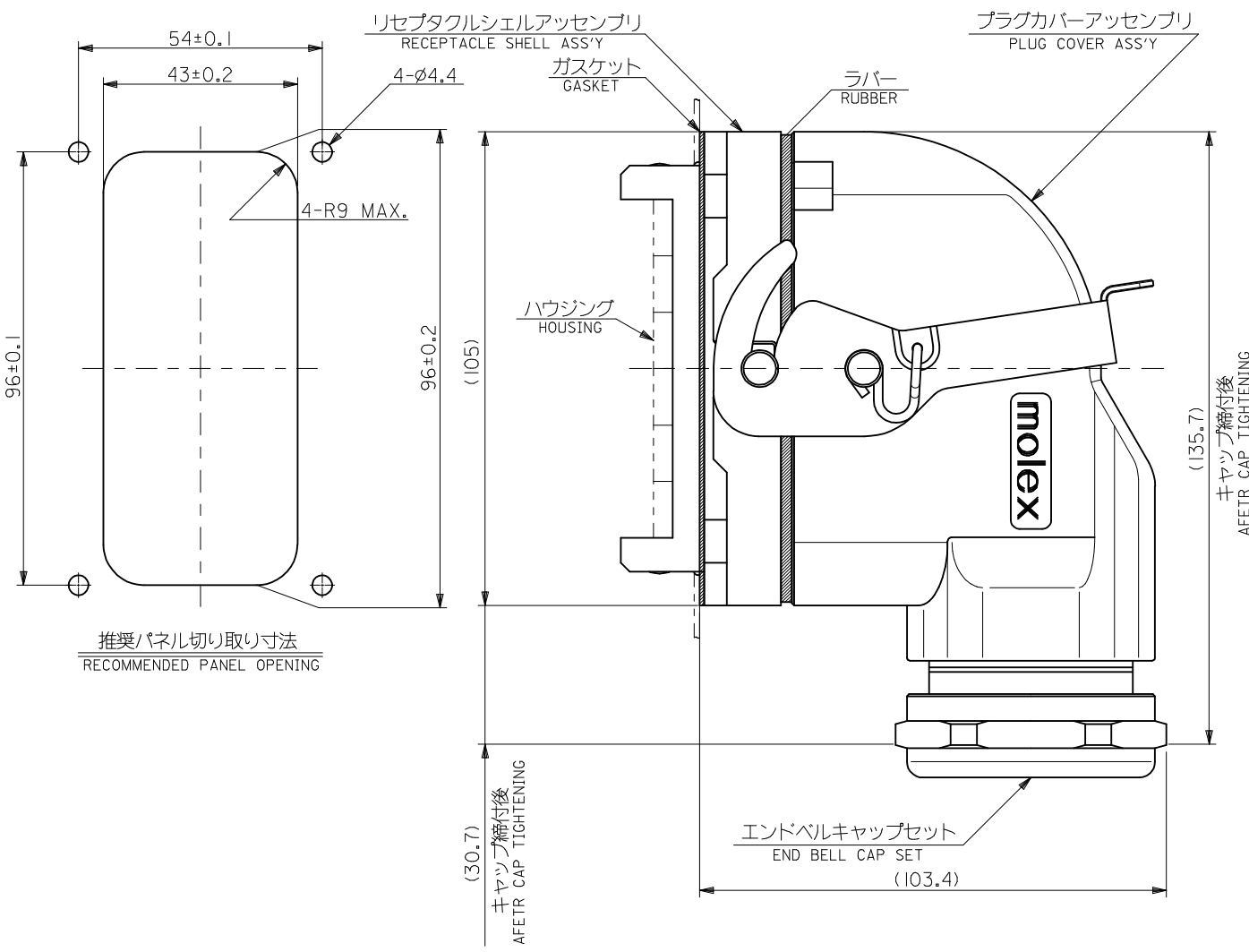


部番 No.	部品名 PART NAME	数量 QTY.	材質 MATERIAL	記事 ARTICLE
①	レバー LEVER	1	鋼 STEEL	塗装処理 PAINTING
②	プラグカバー PLUG COVER	1	アルミニウム合金 ALUMINIUM ALLOY	—
③	ロックピン LOCKING PIN	2	ステンレス STAINLESS STEEL	—
④	レバースプリング LEVER SPRING	2	ステンレス STAINLESS STEEL	—

58723-1010	58723-****
MATERIAL NO.	MODEL NO.

REVISED EC NO: J2009-0816 DRWN: YMAEDA CHKD: NUKITA APPR: NUKITA	2008/11/05 2008/12/19 2008/12/19	DESCRIPTION 10 UNDER ±0.2 10 OVER 30 UNDER ±0.25 30 OVER ±0.3 ANGULAR ±3 ° DRAFT WHERE APPLICABLE MUST REMAIN WITHIN DIMENSIONS	GENERAL TOLERANCES (UNLESS SPECIFIED)		DIMENSION STYLE MM ONLY		SCALE ---	DESIGN UNITS METRIC	THIRD ANGLE PROJECTION		
	DRAWN BY DATE		TITLE		DRAWN BY DATE		TITLE		POWER CONN. 48P RIGHT-ANGLE PLUG COVER ASS'Y		
	CHECKED BY DATE		DRAWN BY DATE		CHECKED BY DATE		DRAWN BY DATE		MOLEX MOLEX INCORPORATED		
	APPROVED BY DATE		DRAWN BY DATE		APPROVED BY DATE		DRAWN BY DATE		MATERIAL NO. DOCUMENT NO. SHEET NO.		
REV		SIZE		SEE CHART		SD-58723-006		1 OF 2			
		A3		THIS DRAWING CONTAINS INFORMATION THAT IS PROPRIETARY TO MOLEX INCORPORATED AND SHOULD NOT BE USED WITHOUT WRITTEN PERMISSION							

10 9 8 7 6 5 4 3 2 1



注記:
NOTES:

1. 関連図面

- RELATION DRAWING
- リセプタクルシェルアッセンブリ : SD-58719-002
RECEPTACLE SHELL ASS'Y
 - プラグシェルアッセンブリ : SD-58721-002
PLUG SHELL ASS'Y
 - カバーアッセンブリ : SD-58723-006
PLUG COVER ASS'Y
 - エンドベルキャップセット : SD-58866-002
END BELL CAP SET
 - ピンハウジング : SD-51194-002
SD-51203-002
PIN HOUSING
 - ソケットハウジング : SD-51195-002
SD-51204-002
SOCKET HOUSING
 - ターミナル (ピン) : SD-5558GS**
SD-50637-****
SD-59320-001
TERMINAL (PIN)
 - ターミナル (ソケット) : SD-5556GS**
SD-50638-****
SD-59319-001
TERMINAL (SOCKET)

2. 関連規格

- RELATION NORMATIVE
- VDE0110 250V 汚染度Ⅲ
過電圧カテゴリーⅡに適合
APPLICABLE 250V POLLUTION DEGREE
AND OVER VOLTAGE CATEGORY
- 保護等級 IP65
DEGREE OF PROTECTION

推奨パネル切り取り寸法
RECOMMENDED PANEL OPENING

キャップ締付後
AFETR CAP TIGHTENING

キャップ締付後
AFETR CAP TIGHTENING

REVISED	EC NO.: J2009-0816	2008/11/05	GENERAL TOLERANCES (UNLESS SPECIFIED)		DIMENSION STYLE MM ONLY		SCALE ---	DESIGN UNITS METRIC	THIRD ANGLE PROJECTION	
	DRWN: YMAEDA	2008/12/19	10 UNDER	±0.2	DRAWN BY	DATE	TITLE			
	CHKD: NUKITA	2008/12/19	10 OVER 30 UNDER	±0.25	CHECKED BY	DATE	POWER CONN. 48P RIGHT-ANGLE PLUG COVER ASS'Y			
	APPR: NUKITA	2008/12/19	30 OVER	±0.3	APPROVED BY	DATE				
REV	DESCRIPTION	ANGULAR	±3 °	DRAFT WHERE APPLICABLE MUST REMAIN WITHIN DIMENSIONS		MATERIAL NO. SEE CHART		DOCUMENT NO. SD-58723-006		SHEET NO. 2 OF 2