

**PLEASE CHECK WWW.MOLEX.COM FOR LATEST PART INFORMATION**

**Part Number:** [0906635162](#)  
**Status:** **Active**  
**Description:** 2.54mm (.100") Pitch QF-50™ Vertical, MIL Keying with Latch/Eject Levers, Shrouded Header, 16 Circuits

**Documents:**

[3D Model](#) [Product Specification PS-99020-0015 \(PDF\)](#)  
[Drawing \(PDF\)](#) [RoHS Certificate of Compliance \(PDF\)](#)

**Agency Certification**

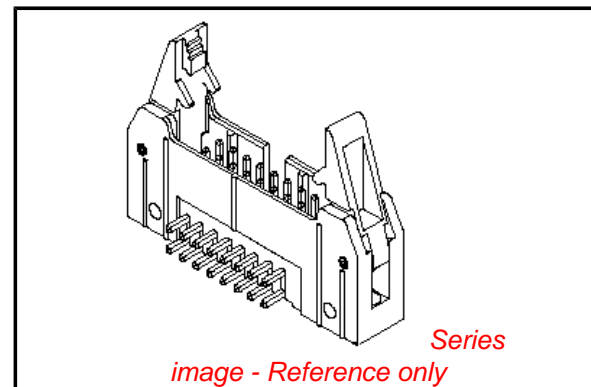
CSA LR19980  
 UL E29179

**General**

Product Family Ribbon Cable / Wire Trap Connectors  
 Series [90663](#)  
 Comments Eject Levers  
 Component Type PCB Header  
 Glow-Wire Compliant No  
 Product Name QF-50™

**Physical**

Circuits (Loaded) 16  
 Color - Resin Black  
 Durability (mating cycles max) 300  
 Entry Angle Vertical  
 Flammability 94V-0  
 Lock to Mating Part None  
 Material - Metal Brass  
 Material - Plating Mating Gold  
 Material - Plating Termination Tin  
 Material - Resin Polyester  
 Number of Rows 2  
 PCB Locator No  
 PCB Retention None  
 PCB Thickness Recommended (in) 0.063 In  
 PCB Thickness Recommended (mm) 1.60 mm  
 Packaging Type Tray  
 Pitch - Mating Interface (in) 0.100 In  
 Pitch - Mating Interface (mm) 2.54 mm  
 Pitch - Term. Interface (in) 0.100 In  
 Pitch - Term. Interface (mm) 2.54 mm  
 Plating min: Mating (µin) 30  
 Plating min: Mating (µm) 0.76  
 Plating min: Termination (µin) 118  
 Plating min: Termination (µm) 3  
 Polarized to PCB No  
 Shrouded Fully  
 Stackable No  
 Surface Mount Compatible (SMC) No  
 Temperature Range - Operating -25°C to +85°C  
 Termination Interface: Style Through Hole  
 Wire Insulation Diameter N/A  
 Wire Size AWG N/A  
 Wire/Cable Type Ribbon Cable



**EU RoHS**

**ELV and RoHS  
Compliant**  
**REACH SVHC**  
 Not Reviewed  
**Halogen-Free  
Status**  
**Not Reviewed**

**China RoHS**



**Need more information on product  
environmental compliance?**

Email [productcompliance@molex.com](mailto:productcompliance@molex.com)  
 For a multiple part number RoHS Certificate of Compliance, [click here](#)

Please visit the [Contact Us](#) section for any non-product compliance questions.

**Search Parts in this Series**

[90663Series](#)

**Mates With**

**Electrical**

Current - Maximum per Contact

1A

Voltage - Maximum

250V AC/DC

**Material Info****Reference - Drawing Numbers**

Product Specification

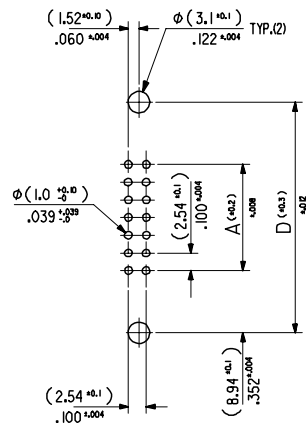
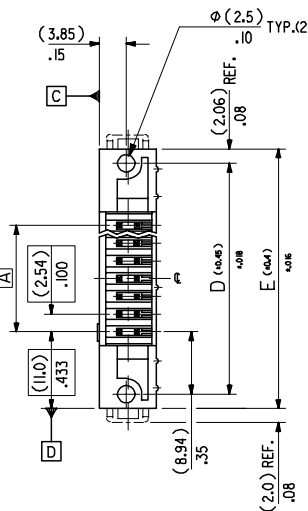
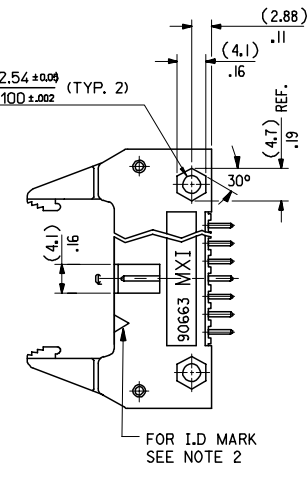
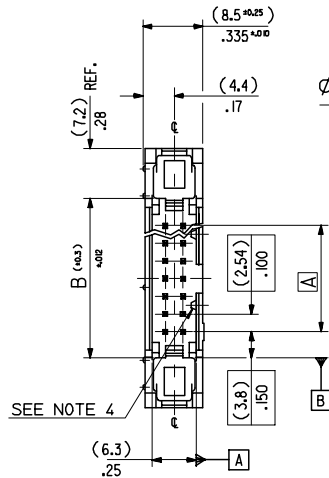
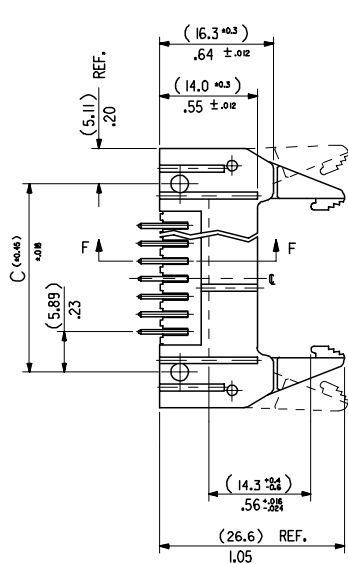
PS-99020-0015

Sales Drawing

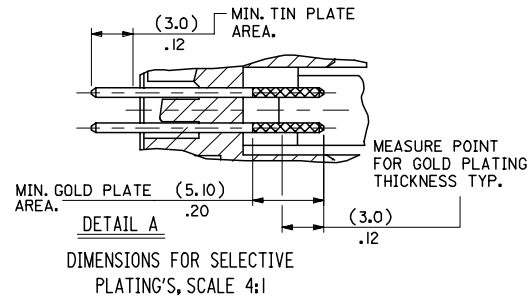
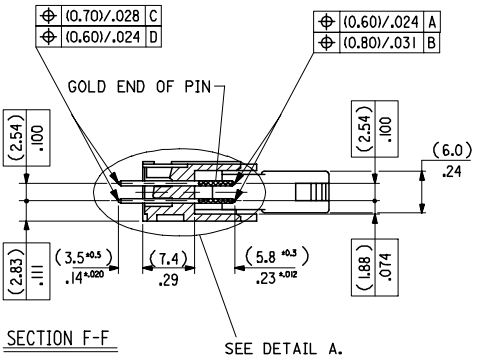
SDA-90663E

This document was generated on 05/26/2010

**PLEASE CHECK [WWW.MOLEX.COM](http://WWW.MOLEX.COM) FOR LATEST PART INFORMATION**



RECOMMENDED P.C.B.HOLE PATTERN.



DIMENSIONS FOR SELECTIVE PLATING'S, SCALE 4:1

|               |               |               |               |                |                         |                 |
|---------------|---------------|---------------|---------------|----------------|-------------------------|-----------------|
| (78.74)/3.100 | (86.34)/3.400 | (90.52)/3.564 | (96.62)/3.804 | (100.74)/3.966 | 90663-5642              | 64              |
| (73.66)/2.900 | (81.26)/3.200 | (85.44)/3.364 | (91.54)/3.604 | (95.66)/3.766  | 90663-5602              | 60              |
| (60.69)/2.400 | (68.56)/2.700 | (72.74)/2.864 | (78.84)/3.104 | (82.96)/3.266  | 90663-5502              | 50              |
| (48.26)/1.900 | (55.86)/2.200 | (60.04)/2.364 | (66.14)/2.604 | (70.26)/2.766  | 90663-5402              | 40              |
| (40.64)/1.600 | (48.24)/1.900 | (52.42)/2.064 | (58.52)/2.304 | (62.64)/2.466  | 90663-5342              | 34              |
| (35.56)/1.400 | (43.16)/1.700 | (47.34)/1.864 | (53.44)/2.104 | (57.56)/2.266  | 90663-5302              | 30              |
| (30.48)/1.200 | (38.08)/1.500 | (42.26)/1.664 | (48.36)/1.904 | (52.48)/2.066  | 90663-5262              | 26              |
| (22.86)/.900  | (30.46)/1.200 | (34.64)/1.364 | (40.74)/1.604 | (44.86)/1.766  | 90663-5202              | 20              |
| (17.78)/.700  | (25.38)/1.000 | (29.56)/1.164 | (35.66)/1.404 | (39.78)/1.566  | 90663-5162              | 16              |
| (15.24)/.600  | (22.84)/.900  | (27.02)/1.064 | (33.12)/1.304 | (37.24)/1.466  | 90663-5142              | 14              |
| (10.16)/.400  | (17.76)/.700  | (21.94)/.864  | (28.04)/1.104 | (32.16)/1.266  | 90663-5102              | 10              |
| A             | B             | C             | D             | E              | ENG. NO.<br>GS2 PLATING | NO. OF<br>CKTS. |

NOTES

- MATERIAL  
HEADER : GLASS FILLED POLYESTER (UL 94V0), COLOUR - BLACK.  
PINS : COPPER ALLOY SIZE (0.635)/.025 .  
LEVER : GLASS FILLED POLYESTER (UL 94V0), COLOUR - BLACK.
- COLOUR IDENTIFICATION MARK FOR PLATING OPTIONS.  
90663-5\*\*2, 3(1um)/.039uin MIN. NICKEL UNDERPLATE CONTACT AREA  
GS2 PLATING (0.76um)/.030uin MIN. GOLD. SOLDER AREA (3um)/.118uin MIN.  
TIN. COLOUR MARK:NONE.
- PRODUCT SPECIFICATION NO. : PS-99020-0015
- THIS RIB IS NOT PRESENT ON 10 & 14 CKT PARTS
- RECOMMENDED PCB THICKNESS 1.6mm

ADDED NOTE 5  
EC NO. E2008-0129  
DRAWN BY: BRINES  
CHKD: 2007/09/13  
APPR: EDWARDS  
2007/09/14

| QUALITY SYMBOLS | GENERAL TOLERANCES (UNLESS SPECIFIED)                | DIMENSION STYLE | SCALE | DESIGN UNITS | THIRD ANGLE PROJECTION |
|-----------------|--|-----------------|-------|--------------|------------------------|
| ▽=0             | 4 PLACES ± --- ± ---                                 | MM/IN           | 2:1   | METRIC       |                        |
| ▽=0             | 3 PLACES ± --- ± .008                                |                 |       |              |                        |
|                 | 2 PLACES ± 0.20 ± .008                               |                 |       |              |                        |
|                 | 1 PLACE ± 0.20 ± ---                                 |                 |       |              |                        |
|                 | ANGULAR ± 2 °  |                 |       |              |                        |
|                 | DRAFT WHERE APPLICABLE MUST REMAIN WITHIN DIMENSIONS |                 |       |              |                        |

DRAWN BY: JDENNEHY DATE: 2004/05/14  
CHECKED BY: JDENNEHY DATE: 2004/05/14  
APPROVED BY: JDENNEHY DATE: 2004/05/14

MOLEX INCORPORATED

SDA-90663E

7 OF 9