

PLEASE CHECK WWW.MOLEX.COM FOR LATEST PART INFORMATION

Part Number: [0436400409](#)
Status: **Active**
Overview: [microfit_30](#)
Description: 3.00mm (.118") Pitch Micro-Fit 3.0™ Plug Housing, Single Row, without Panel Mount Ears, 4 Circuits, Glow Wire Compatible

Documents:

[3D Model](#) [Product Specification PS-43650 \(PDF\)](#)
[Drawing \(PDF\)](#) [RoHS Certificate of Compliance \(PDF\)](#)

Agency Certification

CSA	LR19980
TUV	R72081037
UL	E29179

General

Product Family	Crimp Housings
Series	43640
Overview	microfit_30
Product Name	Micro-Fit 3.0™

Physical

Circuits (maximum)	4
Color - Resin	Black
Flammability	94V-0
Gender	Male
Glow-Wire Compliant	Yes
Keying to Mating Part	None
Lock to Mating Part	Yes
Material - Resin	Polyester
Number of Rows	1
Packaging Type	Bag
Panel Mount	No
Pitch - Mating Interface (in)	0.118 In
Pitch - Mating Interface (mm)	3.00 mm
Polarized to Mating Part	No
Stackable	No
Temperature Range - Operating	-40°C to +105°C

Electrical

Current - Maximum per Contact	5A
-------------------------------	----

Material Info

Reference - Drawing Numbers

Product Specification	PS-43650
Sales Drawing	SD-43640-001

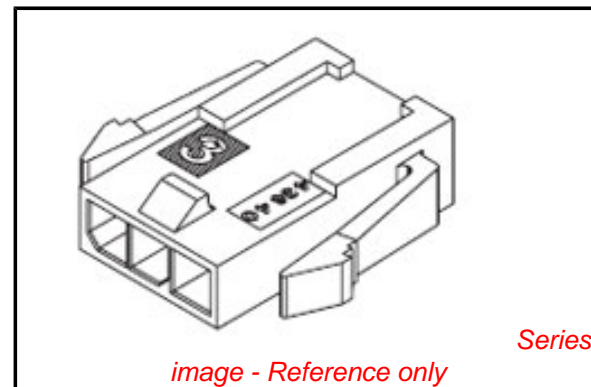


image - Reference only

EU RoHS

**ELV and RoHS
Compliant**
**REACH SVHC
Contains SVHC: No**
**Halogen-Free
Status
Not Reviewed**

China RoHS



**Need more information on product
environmental compliance?**

Email productcompliance@molex.com
 For a multiple part number RoHS Certificate of Compliance, [click here](#)

Please visit the [Contact Us](#) section for any non-product compliance questions.

Search Parts in this Series
[43640Series](#)

Mates With
 Micro-Fit 3.0™ Receptacle Housing [43645](#)

Use With
 Micro-Fit 3.0™ Crimp Terminal [43031](#)

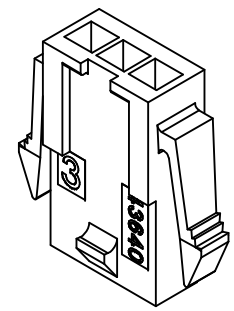
PLEASE CHECK WWW.MOLEX.COM FOR LATEST PART INFORMATION

X-FACTORY	ASSEMBLY ITEM NUMBER	PART CHARACTERISTICS NUMBER OF POSITION
	43640-0208	02
	43640-0308	03
	43640-0408	04
X		05
	43640-0608	06
	43640-0708	07
X		08
X		09
X		10
X		11
X		12

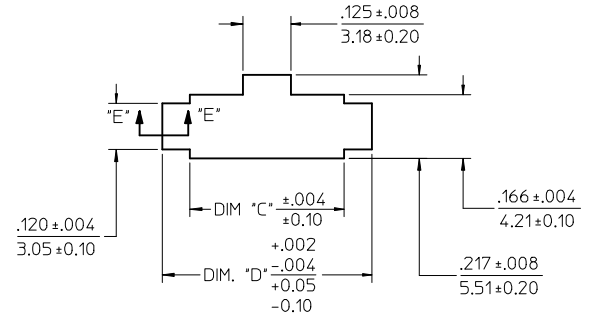
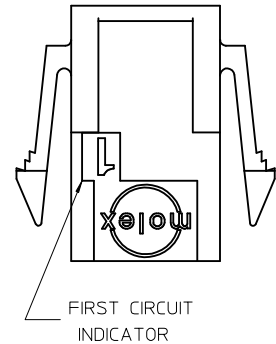
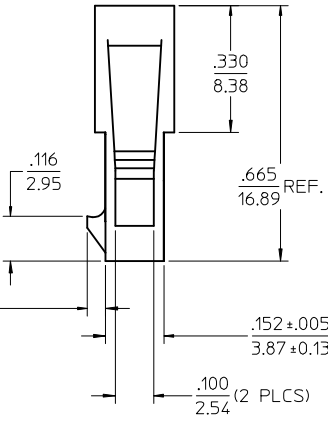
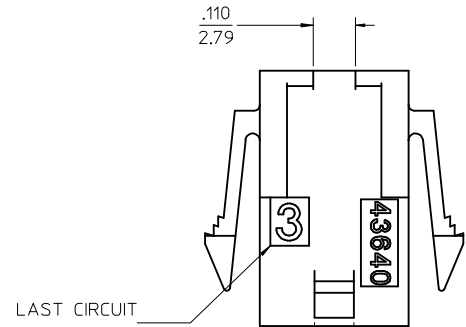
CKT. NO.	DIM. "A"	DIM. "B"	DIM. "C"	DIM. "D"
2	.270/6.85	.118/3.00	.284/7.21	.429/10.90
3	.388/9.85	.236/6.00	.402/10.21	.547/13.89
4	.506/12.85	.354/9.00	.520/13.21	.665/16.89
5	.624/15.85	.472/12.00	.638/16.21	.783/19.89
6	.742/18.85	.591/15.00	.756/19.21	.901/22.89
7	.860/21.85	.709/18.00	.874/22.20	1.019/25.88
8	.978/24.85	.827/21.00	.992/25.20	1.137/28.88
9	1.096/27.85	.945/24.00	1.110/28.20	1.255/31.88
10	1.215/30.85	1.063/27.00	1.229/31.22	1.373/34.87
11	1.333/33.85	1.181/30.00	1.347/34.22	1.491/37.87
12	1.451/36.85	1.299/33.00	1.465/37.22	1.609/40.87

NOTES:

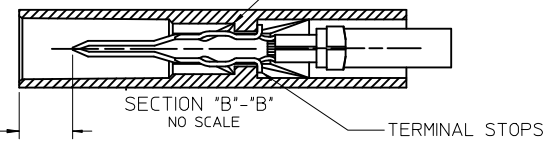
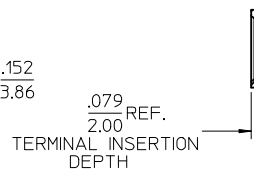
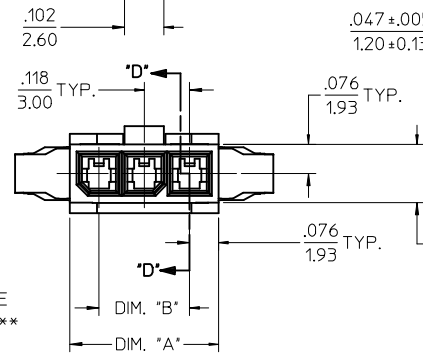
- HOUSING MATERIAL: UNFILLED NYLON 6, RATED UL94V-0, IEC 60335-1, 4TH EDITION GLOW WIRE CAPABLE, COLOR IS BLACK.
- FINISH: NONE
- PRODUCT SPECIFICATION: PS-43650
- PACKAGING SPECIFICATION: NONE
- THIS HOUSING MATES WITH MICRO-FIT RECEPTACLE #43645-****.
- THIS HOUSING IS DESIGNED IN METRIC
- THIS HOUSING TO BE USED WITH MOLEX MALE TERMINAL #43031-****.
- PLUG DESIGNED FOR .062/1.57 TO .090/2.30 THICK STAMPED PANEL OR P.C.BOARD.
- SEE SECTION "D"- "D" FOR TERMINAL ORIENTATION IN HOUSING.
- SEE SHEET 2 FOR PLUG WITHOUT PANEL MOUNTS.
- PANEL MOUNT FEATURES MUST LOCK ON SIDE OPPOSITE PUNCH SIDE FOR OPTIMUM RETENTION.
- THIS PART CONFORMS TO CLASS B REQUIREMENTS OF COSMETIC SPECIFICATION PS-45499-002.



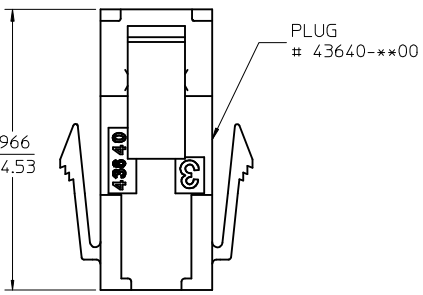
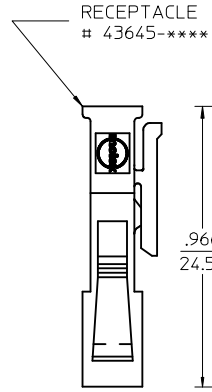
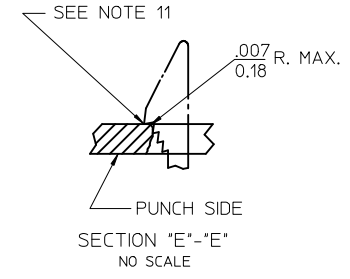
PLUG WITH PANEL MOUNTS



RECOMMENDED PANEL CUT-OUT



TERMINAL LOCKING TABS MUST BE FULLY SEATED TO HOUSING BEFORE MATING WITH OTHER HALF OF CONNECTOR SYSTEM.



MATED MICRO-FIT CONNECTOR

UPDATE ISO VIEW	2009/07/22
EC NO: UCP2010-0138	2009/07/22
DRWN:TBRENS	2009/07/22
CHKD:SSOUSEK	2009/07/22
APPR:FSMITH	2009/07/23

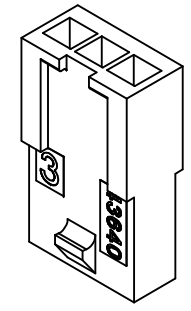
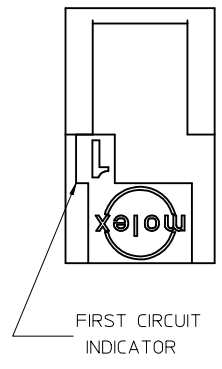
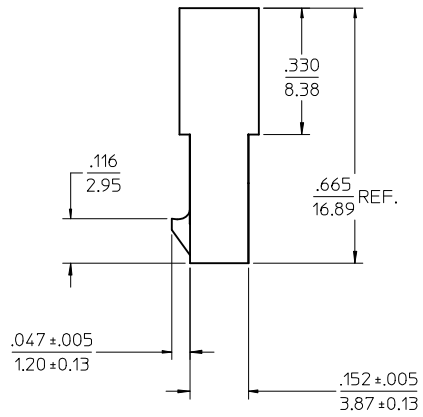
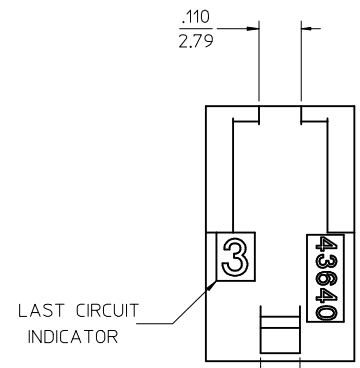
QUALITY SYMBOLS	DESCRIPTION
▽=0	
▽=0	
REV: A2	

GENERAL TOLERANCES (UNLESS SPECIFIED)	DIMENSION STYLE
	IN/MM
4 PLACES ± .010	
3 PLACES ± .010	
2 PLACES ± 0.25 ± .014	
1 PLACE ± 0.35 ± .014	
ANGULAR ± 5 °	
DRAFT WHERE APPLICABLE MUST REMAIN WITHIN DIMENSIONS	

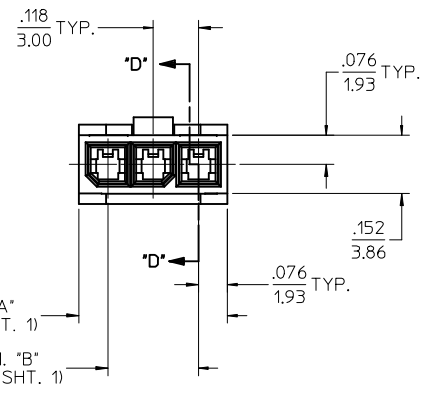
DRAWN BY	DATE
DATE	DATE
CHECKED BY	DATE
DATE	DATE
APPROVED BY	DATE
DATE	DATE
MATERIAL NO.	
SEE CHART	
SIZE	

SCALE	DESIGN UNITS	THIRD ANGLE PROJECTION
4:1	METRIC	
TITLE		
MICRO-FIT (3.0) IN-LINE PLUG W/ OPTIONAL PANEL MOUNTS, HALOGEN-FREE		
MOLEX INCORPORATED		
DOCUMENT NO.	SHEET NO.	
SD-43640-001	1 OF 2	
THIS DRAWING CONTAINS INFORMATION THAT IS PROPRIETARY TO MOLEX INCORPORATED AND SHOULD NOT BE USED WITHOUT WRITTEN PERMISSION		

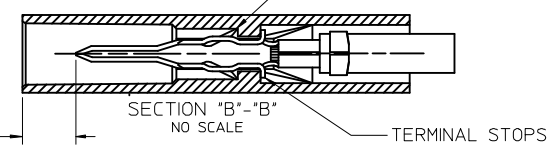
X-CONTACT FACTORY	ASSEMBLY ITEM NUMBER	PART CHARACTERISTICS NUMBER OF POSITION
	43640-0209	02
	43640-0309	03
	43640-0409	04
X		05
	43640-0609	06
	43640-0709	07
X		08
X		09
X		10
X		11
X		12



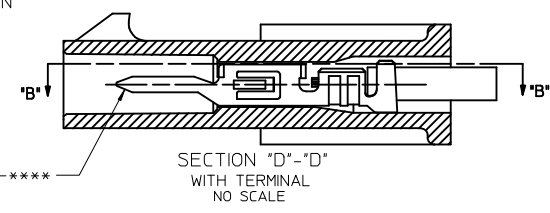
PLUG WITHOUT PANEL MOUNTS



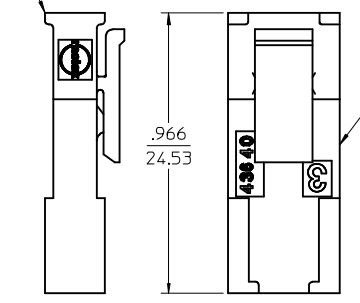
TERMINAL LOCKING TABS MUST BE FULLY SEATED TO HOUSING BEFORE MATING WITH OTHER HALF OF CONNECTOR SYSTEM.



.079 REF. (2.00) TERMINAL INSERTION DEPTH



RECEPTACLE # 43645-****



PLUG # 43640-***01

.966 (24.53)

MATED MICRO-FIT CONNECTOR

UPDATE ISO VIEW EC NO: UCP2010-0138 DRAWN: RBENES 2009/07/22 CHKD: SSOUSEK 2009/07/22 APPR: FSMITH 2009/07/23	QUALITY SYMBOLS ▽=0 ▽=0	GENERAL TOLERANCES (UNLESS SPECIFIED)		DIMENSION STYLE IN/MM	SCALE 4:1	DESIGN UNITS METRIC	THIRD ANGLE PROJECTION	
		4 PLACES ± --- ± --- 3 PLACES ± --- ± .010 2 PLACES ± 0.25 ± .014 1 PLACE ± 0.35 ± --- ANGULAR ± 5 °	DRAWN BY MKIPPER DATE 2008/01/21	CHECKED BY SSOUSEK DATE 2008/01/30	APPROVED BY FSMITH DATE 2008/02/07	TITLE MICRO-FIT (3.0) IN-LINE PLUG W/ OPTIONAL PANEL MOUNTS, HALOGEN-FREE		MATERIAL NO. SEE CHART
DRAFT WHERE APPLICABLE MUST REMAIN WITHIN DIMENSIONS	SIZE C	THIS DRAWING CONTAINS INFORMATION THAT IS PROPRIETARY TO MOLEX INCORPORATED AND SHOULD NOT BE USED WITHOUT WRITTEN PERMISSION						