

PLEASE CHECK WWW.MOLEX.COM FOR LATEST PART INFORMATION

Part Number: **0901301110**
Status: **Active**
Overview: [cgrid_iii](#)
Description: 2.54mm (.100") Pitch C-Grid III™ Header, Dual Row, Vertical, Shrouded, Fully Loaded, 10 Circuits, Black, 3µm (118µ") Tin (Sn) over Nickel (Ni)

Documents:

[3D Model](#) [RoHS Certificate of Compliance \(PDF\)](#)
[Drawing \(PDF\)](#)

General

| | |
|----------------|---------------------------|
| Product Family | PCB Headers |
| Series | 90130 |
| Application | Wire-to-Board |
| Overview | cgrid_iii |
| Product Name | C-Grid III™ |

Physical

| | |
|--------------------------------|-----------------|
| Breakaway | No |
| Circuits (Loaded) | 10 |
| Circuits (maximum) | 10 |
| Color - Resin | Black |
| Durability (mating cycles max) | 30 |
| First Mate / Last Break | No |
| Glow-Wire Compliant | No |
| Guide to Mating Part | No |
| Keying to Mating Part | None |
| Lock to Mating Part | Yes |
| Material - Metal | Brass |
| Material - Plating Mating | Tin |
| Material - Plating Termination | Tin |
| Material - Resin | Polyester |
| Number of Rows | 2 |
| Orientation | Vertical |
| PC Tail Length (in) | 0.114 In |
| PC Tail Length (mm) | 2.90 mm |
| PCB Locator | No |
| PCB Retention | None |
| PCB Thickness Recommended (in) | 0.063 In |
| PCB Thickness Recommended (mm) | 1.60 mm |
| Packaging Type | Tray |
| Pitch - Mating Interface (in) | 0.100 In |
| Pitch - Mating Interface (mm) | 2.54 mm |
| Pitch - Term. Interface (in) | 0.100 In |
| Pitch - Term. Interface (mm) | 2.54 mm |
| Plating min: Mating (µin) | 118 |
| Plating min: Mating (µm) | 3 |
| Plating min: Termination (µin) | 118 |
| Plating min: Termination (µm) | 3 |
| Polarized to Mating Part | Yes |
| Polarized to PCB | No |
| Shrouded | Closed Ends |
| Stackable | No |
| Temperature Range - Operating | -55°C to +125°C |
| Termination Interface: Style | Through Hole |



EU RoHS

**ELV and RoHS
Compliant**
**REACH SVHC
Contains SVHC: No**
**Halogen-Free
Status**

China RoHS



**Need more information on product
environmental compliance?**

Email productcompliance@molex.com
 For a multiple part number RoHS Certificate of Compliance, [click here](#)

Please visit the [Contact Us](#) section for any non-product compliance questions.

Search Parts in this Series

90130Series

Mates With

90142 C-Grid III™ Crimp Housing

Electrical

Current - Maximum per Contact 3A
Voltage - Maximum 350V AC/DC

Solder Process Data

Duration at Max. Process Temperature (seconds) 3
Lead-free Process Capability Wave Capable (TH only)
Max. Cycles at Max. Process Temperature 1
Process Temperature max. C 260

Material Info**Reference - Drawing Numbers**

Packaging Specification PK-90130-001, PK-91814-005
Sales Drawing SDA-90130

This document was generated on 05/25/2010

PLEASE CHECK WWW.MOLEX.COM FOR LATEST PART INFORMATION

VERSION FULLY LOADED



- NOTES
- MATERIAL:-
 - PIN:- (0.635)/.025 SQ. BRASS WIRE.
 - HOUSING:- 15% GLASS FILLED POLYESTER
 - UL 94 V-0 COLOUR BLACK
 - FOR PLATING VERSIONS AND VOID VERSIONS SEE SHEET 2.
 - MEASUREMENT POINT FOR MINIMUM PLATING THICKNESS.
 - FOR PRODUCT SPEC SEE PS-99020-0001
 - RECOMMENDED PCB THICKNESS: 1.6mm



| No. OF CKTS | DIM A | DIM B | DIM C |
|-------------|-------------------|-------------------|-------------------|
| 6 | (5.08) / .200 | (9.96) / .392 | (8.12) / .320 |
| 8 | (7.62) / .300 | (12.50) / .492 | (10.66) / .420 |
| 10 | (10.16) / .400 | (15.04) / .592 | (13.20) / .520 |
| 12 | (12.70) / .500 | (17.58) / .692 | (15.74) / .620 |
| 14 | (15.24) / .600 | (20.12) / .792 | (18.28) / .720 |
| 16 | (17.78) / .700 | (22.66) / .892 | (20.82) / .820 |
| 18 | (20.32) / .800 | (25.20) / .992 | (23.36) / .920 |
| 20 | (22.86) / .900 | (27.74) / 1.092 | (25.90) / 1.020 |
| 22 | (25.40) / 1.000 | (30.28) / 1.192 | (28.44) / 1.120 |
| 24 | (27.94) / 1.100 | (32.82) / 1.292 | (30.98) / 1.220 |
| 26 | (30.48) / 1.200 | (35.36) / 1.392 | (33.52) / 1.320 |
| 28 | (33.02) / 1.300 | (37.90) / 1.492 | (36.06) / 1.420 |
| 30 | (35.56) / 1.400 | (40.44) / 1.592 | (38.60) / 1.520 |
| 32 | (38.10) / 1.500 | (42.98) / 1.692 | (41.15) / 1.620 |
| 34 | (40.64) / 1.600 | (45.52) / 1.792 | (43.68) / 1.720 |
| 36 | (43.18) / 1.700 | (48.06) / 1.892 | (46.22) / 1.820 |
| 38 | (45.72) / 1.800 | (50.60) / 1.992 | (48.76) / 1.920 |
| 40 | (48.26) / 1.900 | (53.14) / 2.092 | (51.30) / 2.020 |
| 42 | (50.80) / 2.000 | (55.68) / 2.192 | (53.84) / 2.120 |
| 44 | (53.34) / 2.100 | (58.22) / 2.292 | (56.38) / 2.220 |
| 46 | (55.88) / 2.200 | (60.76) / 2.392 | (58.92) / 2.320 |
| 48 | (58.42) / 2.300 | (63.30) / 2.492 | (61.46) / 2.420 |
| 50 | (60.96) / 2.400 | (65.84) / 2.592 | (64.00) / 2.520 |
| 52 | (63.50) / 2.500 | (68.38) / 2.692 | (66.54) / 2.620 |
| 54 | (66.04) / 2.600 | (70.92) / 2.792 | (69.08) / 2.720 |
| 56 | (68.58) / 2.700 | (73.46) / 2.892 | (71.62) / 2.820 |
| 58 | (71.12) / 2.800 | (76.00) / 2.992 | (74.16) / 2.920 |
| 60 | (73.66) / 2.900 | (78.54) / 3.092 | (76.70) / 3.020 |
| 62 | (76.20) / 3.000 | (81.08) / 3.192 | (79.24) / 3.120 |
| 64 | (78.74) / 3.100 | (83.62) / 3.292 | (81.78) / 3.220 |
| 66 | (81.28) / 3.200 | (86.16) / 3.392 | (84.32) / 3.320 |
| 68 | (83.82) / 3.300 | (88.70) / 3.492 | (86.86) / 3.420 |

| | | | |
|-------------------|-------------------|-------------|-----------------|
| RE-POSITION DIM B | EC NO: S2010-0811 | 2010/03/25 | QUALITY SYMBOLS |
| | DRWNSKANG | 2010/03/31 | $F_A = 0$ |
| | CHKD:ATSEE | 2010/03/31 | $F_E = 0$ |
| | APPR:MLONG | 2010/03/31 | $F_B = 0$ |
| B1 | REV | DESCRIPTION | |

| GENERAL TOLERANCES (UNLESS SPECIFIED) | |
|--|--------|
| mm | INCH |
| 4 PLACES ± --- | ± --- |
| 3 PLACES ± --- | ± .004 |
| 2 PLACES ± 0.10 | ± --- |
| 1 PLACE ± --- | ± --- |
| ANGULAR ± 1/2° | |
| DRAFT WHERE APPLICABLE MUST REMAIN WITHIN DIMENSIONS | |

| | | | | |
|-----------------|--------------|--|--------------|------------------------|
| DIMENSION STYLE | | SCALE | DESIGN UNITS | THIRD ANGLE PROJECTION |
| MM/IN | | NTS | METRIC | |
| DRAWN BY | DATE | TITLE | | |
| KS | 1988/08/23 | C-GRID III DUAL ROW STRAIGHT SHROUDED HEADER | | |
| CHECKED BY | DATE | MOLEX INCORPORATED | | |
| ATSEE | 2010/02/11 | SDA-90130 | | |
| APPROVED BY | DATE | SHEET NO. 1 OF 4 | | |
| MLONG | 2010/02/19 | | | |
| MATERIAL NO. | DOCUMENT NO. | | | |
| SEE TABLE | | | | |

| | | | | |
|--------------|--|--------------|--|--|
| DRAWN BY | | DATE | TITLE | |
| KS | | 1988/08/23 | C-GRID III DUAL ROW STRAIGHT SHROUDED HEADER | |
| CHECKED BY | | DATE | MOLEX INCORPORATED | |
| ATSEE | | 2010/02/11 | SDA-90130 | |
| APPROVED BY | | DATE | SHEET NO. 1 OF 4 | |
| MLONG | | 2010/02/19 | | |
| MATERIAL NO. | | DOCUMENT NO. | | |
| SEE TABLE | | | | |

| NO OF CKTS | HSG CKT SIZE | PART NUMBER | | |
|------------|--------------|----------------|----------------|----------------|
| | | PLATING TYPE A | PLATING TYPE E | PLATING TYPE F |
| F 6 | 6 | 90130-X106 | 90130-X206 | 90130-X306 |
| 8 | 8 | X108 | X208 | X308 |
| 10 | 10 | X110 | X210 | X310 |
| 12 | 12 | X112 | X212 | X312 |
| 14 | 14 | X114 | X214 | X314 |
| 16 | 16 | X116 | X216 | X316 |
| 18 | 18 | X118 | X218 | X318 |
| 20 | 20 | X120 | X220 | X320 |
| E 22 | 22 | X122 | X222 | X322 |
| 24 | 24 | X124 | X224 | X324 |
| 26 | 26 | X126 | X226 | X326 |
| 28 | 28 | X128 | X228 | X328 |
| 30 | 30 | X130 | X230 | X330 |
| 32 | 32 | X132 | X232 | X332 |
| 34 | 34 | X134 | X234 | X334 |
| 36 | 36 | X136 | X236 | X336 |
| D 38 | 38 | X138 | X238 | X338 |
| 40 | 40 | X140 | X240 | X340 |
| 42 | 42 | X142 | X242 | X342 |
| 44 | 44 | X144 | X244 | X344 |
| 46 | 46 | X146 | X246 | X346 |
| 48 | 48 | X148 | X248 | X348 |
| 50 | 50 | X150 | X250 | X350 |
| 52 | 52 | X152 | X252 | X352 |
| C 54 | 54 | X154 | X254 | X354 |
| 56 | 56 | X156 | X256 | X356 |
| 58 | 58 | X158 | X258 | X358 |
| 60 | 60 | X160 | X260 | X360 |
| 62 | 62 | X162 | X262 | X362 |
| 64 | 64 | X164 | X264 | X364 |
| 66 | 66 | X166 | X266 | X366 |
| B 68 | 68 | 90130-X168 | 90130-X268 | 90130-X368 |

NOTES:

- 1. FOR ASSY SEE SHEET 1.
- 2. FOR PLATING DETAILS SEE SDES-99000-0003

90130 - * * * *

INDICATES CIRCUIT HOUSING SIZE
(EXCEPTION ON VOIDED OPTION -
SEE TABLE FOR HOUSING CIRCUIT SIZE)

PLATING
1 - TYPE A
2 - TYPE E
3 - TYPE F
4 - TYPE G

STYLE: - STRAIGHT ASSY
- 1. VERSION FULLY LOADED BLACK
- 8. VERSION WITH VOIDS

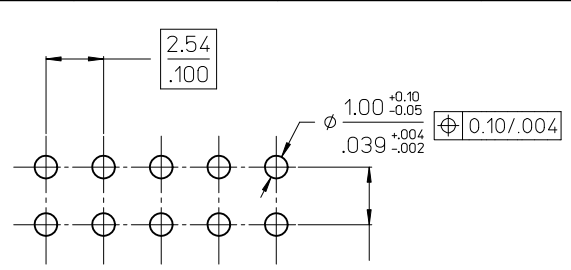
| NO OF CKTS | HSG CKT SIZE | VOIDED PART NUMBER | VOID POSITION | PLATING TYPE |
|------------|--------------|--------------------|---------------|--------------|
| 11 | 12 | 90130-8212 | 12 | E |
| 9 | 10 | 90130-8309 | 2 | F |
| 9 | 10 | 90130-8311 | 1 | F |
| 11 | 12 | 90130-8213 | 2 | E |
| 11 | 12 | 90130-8313 | 2 | F |

VOIDED OPTION

VERSION FULLY LOADED

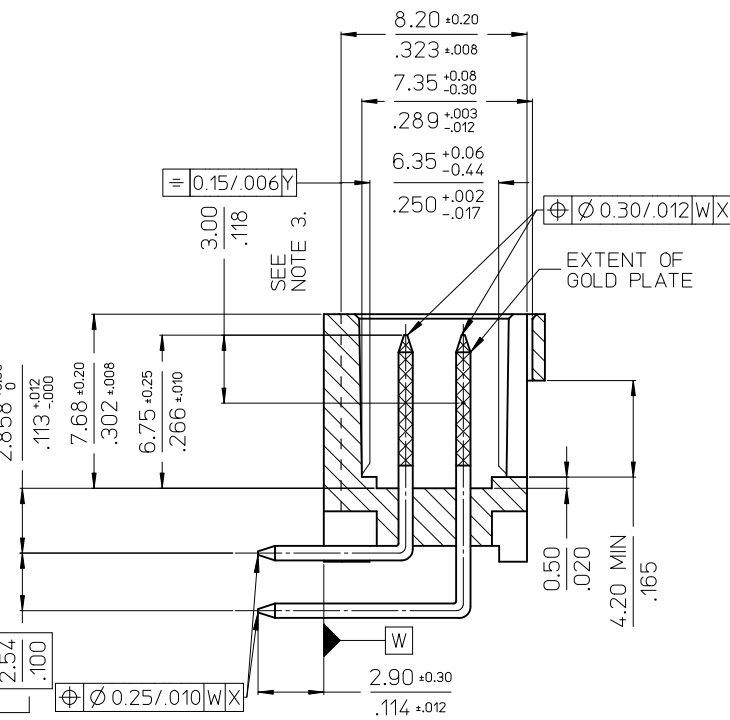
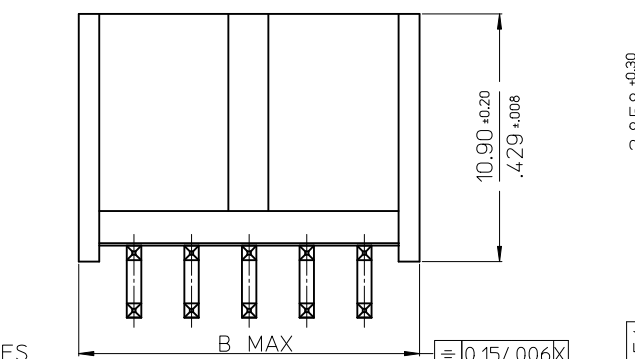
| RE-POSITION DIM B EC NO: S2010-0811 DRWN:SKANG 2010/03/25 CHKD:ATSEE 2010/03/31 APPR:MLONG 2010/03/31 | QUALITY SYMBOLS | GENERAL TOLERANCES (UNLESS SPECIFIED) | DIMENSION STYLE MM/IN | SCALE NTS | DESIGN UNITS METRIC | THIRD ANGLE PROJECTION | | | | | | | | | | | | | | | | | | | | | | | | | | | | | | | | | | |
|---|--|---|----------------------------|--------------|------------------------|------------------------|-------|-------|----------|-------|--------|----------|--------|-------|---------|-------|-------|---|----------|--|------|----|--|------------|------------|--|------|-------|--|------------|-------------|--|------|-------|--|------------|--|--|--|--|
| | $\nabla_A = 0$ $\nabla_E = 0$ $\nabla_F = 0$ | <table border="1"> <tr><th></th><th>mm</th><th>INCH</th></tr> <tr><td>4 PLACES</td><td>± ---</td><td>± ---</td></tr> <tr><td>3 PLACES</td><td>± ---</td><td>± .004</td></tr> <tr><td>2 PLACES</td><td>± 0.10</td><td>± ---</td></tr> <tr><td>1 PLACE</td><td>± ---</td><td>± ---</td></tr> </table> | | mm | INCH | 4 PLACES | ± --- | ± --- | 3 PLACES | ± --- | ± .004 | 2 PLACES | ± 0.10 | ± --- | 1 PLACE | ± --- | ± --- | <table border="1"> <tr><th colspan="2">DRAWN BY</th><th>DATE</th></tr> <tr><td>KS</td><td></td><td>1988/08/23</td></tr> <tr><th colspan="2">CHECKED BY</th><th>DATE</th></tr> <tr><td>ATSEE</td><td></td><td>2010/02/11</td></tr> <tr><th colspan="2">APPROVED BY</th><th>DATE</th></tr> <tr><td>MLONG</td><td></td><td>2010/02/19</td></tr> </table> | DRAWN BY | | DATE | KS | | 1988/08/23 | CHECKED BY | | DATE | ATSEE | | 2010/02/11 | APPROVED BY | | DATE | MLONG | | 2010/02/19 | TITLE C-GRID III DUAL ROW STRAIGHT SHROUDED HEADER | | | |
| | | mm | INCH | | | | | | | | | | | | | | | | | | | | | | | | | | | | | | | | | | | | | |
| | 4 PLACES | ± --- | ± --- | | | | | | | | | | | | | | | | | | | | | | | | | | | | | | | | | | | | | |
| 3 PLACES | ± --- | ± .004 | | | | | | | | | | | | | | | | | | | | | | | | | | | | | | | | | | | | | | |
| 2 PLACES | ± 0.10 | ± --- | | | | | | | | | | | | | | | | | | | | | | | | | | | | | | | | | | | | | | |
| 1 PLACE | ± --- | ± --- | | | | | | | | | | | | | | | | | | | | | | | | | | | | | | | | | | | | | | |
| DRAWN BY | | DATE | | | | | | | | | | | | | | | | | | | | | | | | | | | | | | | | | | | | | | |
| KS | | 1988/08/23 | | | | | | | | | | | | | | | | | | | | | | | | | | | | | | | | | | | | | | |
| CHECKED BY | | DATE | | | | | | | | | | | | | | | | | | | | | | | | | | | | | | | | | | | | | | |
| ATSEE | | 2010/02/11 | | | | | | | | | | | | | | | | | | | | | | | | | | | | | | | | | | | | | | |
| APPROVED BY | | DATE | | | | | | | | | | | | | | | | | | | | | | | | | | | | | | | | | | | | | | |
| MLONG | | 2010/02/19 | | | | | | | | | | | | | | | | | | | | | | | | | | | | | | | | | | | | | | |
| DRAFT WHERE APPLICABLE MUST REMAIN WITHIN DIMENSIONS | MATERIAL NO. SEE TABLE | DOCUMENT NO. SDA-90130 | SHEET NO. 2 OF 4 | | | | | | | | | | | | | | | | | | | | | | | | | | | | | | | | | | | | | |
| THIS DRAWING CONTAINS INFORMATION THAT IS PROPRIETARY TO MOLEX INCORPORATED AND SHOULD NOT BE USED WITHOUT WRITTEN PERMISSION | | | | | | | | | | | | | | | | | | | | | | | | | | | | | | | | | | | | | | | | |

10 9 8 7 6 5 4 3 2 1



RECOMMENDED P.C. BOARD HOLE PATTERN

VERSION FULLY LOADED



| HSG CKT SIZE | A | B | C |
|--------------|---------------|---------------|---------------|
| 6 | (5.08) .200 | (10.34) .407 | (7.92) .312 |
| 8 | (7.62) .300 | (12.88) .507 | (10.46) .412 |
| 10 | (10.16) .400 | (15.42) .607 | (13.00) .512 |
| 12 | (12.70) .500 | (17.96) .707 | (15.54) .612 |
| 14 | (15.24) .600 | (20.50) .807 | (18.08) .712 |
| 16 | (17.78) .700 | (23.04) .907 | (20.62) .812 |
| 18 | (20.32) .800 | (25.58) 1.007 | (23.16) .912 |
| 20 | (22.86) .900 | (28.12) 1.107 | (25.70) 1.012 |
| 22 | (25.40) 1.000 | (30.66) 1.207 | (28.24) 1.112 |
| 24 | (27.94) 1.100 | (33.20) 1.307 | (30.78) 1.212 |
| 26 | (30.48) 1.200 | (35.74) 1.407 | (33.32) 1.312 |
| 28 | (33.02)/1.300 | (37.90)/1.492 | (36.06)/1.420 |
| 30 | (35.56) 1.400 | (40.82) 1.607 | (38.40) 1.512 |
| 32 | (38.10)/1.500 | (42.98)/1.692 | (41.15)/1.620 |
| 34 | (40.64) 1.600 | (45.90) 1.807 | (43.48) 1.712 |
| 36 | (43.18)/1.700 | (48.06)/1.892 | (46.22)/1.820 |
| 38 | (45.72) 1.800 | (50.98) 2.007 | (48.56) 1.912 |
| 40 | (48.26) 1.900 | (53.52) 2.107 | (51.10) 2.012 |
| 42 | (50.80)/2.000 | (55.68)/2.192 | (53.84)/2.120 |
| 44 | (53.34) 2.100 | (58.60) 2.307 | (56.18) 2.212 |
| 46 | (55.88)/2.200 | (60.76)/2.392 | (58.92)/2.320 |
| 48 | (58.42)/2.300 | (63.30)/2.492 | (61.46)/2.420 |
| 50 | (60.96) 2.400 | (66.22) 2.607 | (63.80) 2.512 |
| 52 | (63.50)/2.500 | (68.38)/2.692 | (66.54)/2.620 |
| 54 | (66.04) 2.600 | (71.30) 2.807 | (68.88) 2.712 |
| 56 | (68.58)/2.700 | (73.46)/2.892 | (71.62)/2.820 |
| 58 | (71.12)/2.800 | (76.00)/2.992 | (74.16)/2.920 |
| 60 | (73.66) 2.900 | (78.92) 3.107 | (76.50) 3.012 |
| 62 | (76.20)/3.000 | (81.08)/3.192 | (79.24)/3.120 |
| 64 | (78.74) 3.100 | (84.00) 3.307 | (81.58) 3.212 |
| 66 | (81.28)/3.200 | (86.16)/3.392 | (84.32)/3.320 |
| 68 | (83.82) 3.300 | (89.08) 3.507 | (86.66) 3.412 |

NOTES

- MATERIAL:-
 - PIN:- (0.635)/.025 SQ. BRASS WIRE.
 - HOUSING:- 15% GLASS FILLED POLYESTER
 - UL 94 V-0 COLOUR BLACK
- FOR PLATING VERSIONS AND VOID VERSIONS SEE SHEET 2.
- MEASUREMENT POINT FOR MINIMUM PLATING THICKNESS.
- FOR PRODUCT SPEC SEE PS-99020-0001
- RECOMMENDED PCB THICKNESS: 1.6mm

| REV | DESCRIPTION |
|-----|-------------------|
| B1 | RE-POSITION DIM B |

| QUALITY SYMBOLS | GENERAL TOLERANCES (UNLESS SPECIFIED) |
|--------------------|--|
| $F_{\Delta} = 0$ | 4 PLACES ± --- ± --- |
| $F_{\square} = 0$ | 3 PLACES ± --- ± .004 |
| $F_{\circ} = 0$ | 2 PLACES ± 0.10 ± --- |
| $F_{\text{P}} = 0$ | 1 PLACE ± --- ± --- |
| | ANGULAR ± 1/2° |
| | DRAFT WHERE APPLICABLE MUST REMAIN WITHIN DIMENSIONS |

| DIMENSION STYLE | | SCALE | DESIGN UNITS | THIRD ANGLE PROJECTION |
|-----------------|--------------|---|--------------|------------------------|
| MM/IN | | NTS | METRIC | |
| DRAWN BY | DATE | TITLE | | |
| KS | 1988/08/23 | C-GRID III DUAL ROW STRAIGHT SHROUDED HEADER | | |
| CHECKED BY | DATE | MOLEX INCORPORATED | | |
| ATSEE | 2010/02/11 | SDA-90130 | | |
| APPROVED BY | DATE | SHEET NO. | | |
| MLONG | 2010/02/19 | 3 OF 4 | | |
| MATERIAL NO. | DOCUMENT NO. | THIS DRAWING CONTAINS INFORMATION THAT IS PROPRIETARY TO MOLEX INCORPORATED AND SHOULD NOT BE USED WITHOUT WRITTEN PERMISSION | | |
| SEE TABLE | | | | |

9 8 7 6 5 4 3 2 1

| NO OF CKTS | HSG CKT SIZE | PART NUMBER | | |
|------------|--------------|----------------|----------------|----------------|
| | | PLATING TYPE A | PLATING TYPE E | PLATING TYPE F |
| F 6 | 6 | 90130-X106 | 90130-X206 | 90130-X306 |
| 8 | 8 | ↑ X108 | ↑ X208 | ↑ X308 |
| 10 | 10 | X110 | X210 | X310 |
| 12 | 12 | X112 | X212 | X312 |
| 14 | 14 | X114 | X214 | X314 |
| 16 | 16 | X116 | X216 | X316 |
| 18 | 18 | X118 | X218 | X318 |
| 20 | 20 | X120 | X220 | X320 |
| E 22 | 22 | X122 | X222 | X322 |
| 24 | 24 | X124 | X224 | X324 |
| 26 | 26 | X126 | X226 | X326 |
| 28 | 28 | X128 | X228 | X328 |
| 30 | 30 | X130 | X230 | X330 |
| 32 | 32 | X132 | X232 | X332 |
| 34 | 34 | X134 | X234 | X334 |
| 36 | 36 | X136 | X236 | X336 |
| D 38 | 38 | X138 | X238 | X338 |
| 40 | 40 | X140 | X240 | X340 |
| 42 | 42 | X142 | X242 | X342 |
| 44 | 44 | X144 | X244 | X344 |
| 46 | 46 | X146 | X246 | X346 |
| 48 | 48 | X148 | X248 | X348 |
| 50 | 50 | X150 | X250 | X350 |
| C 52 | 52 | X152 | X252 | X352 |
| 54 | 54 | X154 | X254 | X354 |
| 56 | 56 | X156 | X256 | X356 |
| 58 | 58 | X158 | X258 | X358 |
| 60 | 60 | X160 | X260 | X360 |
| 62 | 62 | X162 | X262 | X362 |
| 64 | 64 | X164 | X264 | X364 |
| 66 | 66 | ↓ X166 | ↓ X266 | ↓ X366 |
| B 68 | 68 | 90130-X168 | 90130-X268 | 90130-X368 |

NOTES:

1. FOR ASSY SEE SHEET 3.
2. FOR PLATING DETAILS SEE SDES-99000-0003



VERSION FULLY LOADED

| | | | | | | | | | |
|--|--|---------------------------------------|--|---------------------------------|---|-------------------------------|---|--|--|
| RE-POSITION DIM B EC NO: S2010-0811 DRWN:SKANG 2010/03/25 CHKD:ATSEE 2010/03/31 APPR:MLONG 2010/03/31 | QUALITY SYMBOLS $F_A=0$ $F_E=0$ $F_F=0$ | GENERAL TOLERANCES (UNLESS SPECIFIED) | | DIMENSION STYLE MM/IN | SCALE NTS | DESIGN UNITS METRIC | THIRD ANGLE PROJECTION | | |
| | | | mm | INCH | DRAWN BY KS | DATE 1988/08/23 | C-GRID III DUAL ROW STRAIGHT SHROUDED HEADER | | |
| | | 4 PLACES | ± --- | ± --- | CHECKED BY ATSEE | DATE 2010/02/11 | | | |
| | | 3 PLACES | ± --- | ± .004 | APPROVED BY MLONG | DATE 2010/02/19 | MOLEX INCORPORATED | | |
| 2 PLACES | ± 0.10 | ± --- | MATERIAL NO. SEE TABLE | | DOCUMENT NO. SDA-90130 | SHEET NO. 4 OF 4 | | | |
| 1 PLACE | ± --- | ± --- | DRAFT WHERE APPLICABLE MUST REMAIN WITHIN DIMENSIONS | | THIS DRAWING CONTAINS INFORMATION THAT IS PROPRIETARY TO MOLEX INCORPORATED AND SHOULD NOT BE USED WITHOUT WRITTEN PERMISSION | | | | |
| B1 | | ANGULAR ± 1/2° | | SIZE A3 | | | | | |

| NO OF CKTS | HSG CKT SIZE | PART NUMBER | | |
|------------|--------------|----------------|----------------|----------------|
| | | PLATING TYPE A | PLATING TYPE E | PLATING TYPE F |
| 6 | 6 | 90130-X106 | 90130-X206 | 90130-X306 |
| 8 | 8 | X108 | X208 | X308 |
| 10 | 10 | X110 | X210 | X310 |
| 12 | 12 | X112 | X212 | X312 |
| 14 | 14 | X114 | X214 | X314 |
| 16 | 16 | X116 | X216 | X316 |
| 18 | 18 | X118 | X218 | X318 |
| 20 | 20 | X120 | X220 | X320 |
| 22 | 22 | X122 | X222 | X322 |
| 24 | 24 | X124 | X224 | X324 |
| 26 | 26 | X126 | X226 | X326 |
| 28 | 28 | X128 | X228 | X328 |
| 30 | 30 | X130 | X230 | X330 |
| 32 | 32 | X132 | X232 | X332 |
| 34 | 34 | X134 | X234 | X334 |
| 36 | 36 | X136 | X236 | X336 |
| 38 | 38 | X138 | X238 | X338 |
| 40 | 40 | X140 | X240 | X340 |
| 42 | 42 | X142 | X242 | X342 |
| 44 | 44 | X144 | X244 | X344 |
| 46 | 46 | X146 | X246 | X346 |
| 48 | 48 | X148 | X248 | X348 |
| 50 | 50 | X150 | X250 | X350 |
| 52 | 52 | X152 | X252 | X352 |
| 54 | 54 | X154 | X254 | X354 |
| 56 | 56 | X156 | X256 | X356 |
| 58 | 58 | X158 | X258 | X358 |
| 60 | 60 | X160 | X260 | X360 |
| 62 | 62 | X162 | X262 | X362 |
| 64 | 64 | X164 | X264 | X364 |
| 66 | 66 | X166 | X266 | X366 |
| 68 | 68 | 90130-X168 | 90130-X268 | 90130-X368 |

| NO OF CKTS | HSG CKT SIZE | VOIDED PART NUMBER | VOID POSITION | PLATING TYPE |
|------------|--------------|--------------------|---------------|--------------|
| 11 | 12 | 90130-8212 | 12 | E |
| 9 | 10 | 90130-8309 | 2 | F |
| 9 | 10 | 90130-8311 | 1 | F |
| 11 | 12 | 90130-8213 | 2 | E |
| 11 | 12 | 90130-8313 | 2 | F |

VOIDED OPTION

NOTES:

- FOR ASSY SEE SHEET 1.
- FOR PLATING DETAILS SEE SDES-99000-0003

90130 - x x x x

INDICATES CIRCUIT HOUSING SIZE
(EXCEPTION ON VOIDED OPTION - SEE TABLE FOR HOUSING CIRCUIT SIZE)

PLATING
1 - TYPE A
2 - TYPE E
3 - TYPE F
4 - TYPE G

STYLE - STRAIGHT ASSY
- 1. VERSION FULLY LOADED BLACK
8. VERSION WITH VOIDS

VERSION FULLY LOADED

| Changed 8212 to void 2 EC NO: E2010-0123 DRWN: BMAGUIRE 2009/10/15 CHKD: 2009/10/15 APPR: BMAGUIRE 2009/10/15 | QUALITY SYMBOLS | GENERAL TOLERANCES (UNLESS SPECIFIED) | DIMENSION STYLE | SCALE | DESIGN UNITS | THIRD ANGLE PROJECTION | | | | | | | | | | | | | | | |
|---|--|--|-----------------|---|--------------------|------------------------|-------|-------|----------|-------|-------|----------|-------|-------|---------|-------|-------|---------|-----|--------|--|
| | $\nabla=0$ $\nabla=0$ | <table border="1"> <tr><th colspan="2">mm</th><th>INCH</th></tr> <tr><td>4 PLACES</td><td>±----</td><td>±----</td></tr> <tr><td>3 PLACES</td><td>±----</td><td>±----</td></tr> <tr><td>2 PLACES</td><td>±----</td><td>±----</td></tr> <tr><td>1 PLACE</td><td>±----</td><td>±----</td></tr> </table> | mm | | INCH | 4 PLACES | ±---- | ±---- | 3 PLACES | ±---- | ±---- | 2 PLACES | ±---- | ±---- | 1 PLACE | ±---- | ±---- | MM ONLY | 1:1 | METRIC | |
| | mm | | INCH | | | | | | | | | | | | | | | | | | |
| | 4 PLACES | ±---- | ±---- | | | | | | | | | | | | | | | | | | |
| 3 PLACES | ±---- | ±---- | | | | | | | | | | | | | | | | | | | |
| 2 PLACES | ±---- | ±---- | | | | | | | | | | | | | | | | | | | |
| 1 PLACE | ±---- | ±---- | | | | | | | | | | | | | | | | | | | |
| DESCRIPTION | DRAFT WHERE APPLICABLE MUST REMAIN WITHIN DIMENSIONS | DRAWN BY: KS DATE: 1987/09/10 CHECKED BY: _____ DATE: _____ APPROVED BY: _____ DATE: _____ | TITLE | C-GRID III DUAL ROW STRAIGHT SHROUDED HEADER | | | | | | | | | | | | | | | | | |
| REV | | SEE CHART | MATERIAL NO. | DOCUMENT NO. | MOLEX INCORPORATED | | | | | | | | | | | | | | | | |
| | | | SIZE | THIS DRAWING CONTAINS INFORMATION THAT IS PROPRIETARY TO MOLEX INCORPORATED AND SHOULD NOT BE USED WITHOUT WRITTEN PERMISSION | | | | | | | | | | | | | | | | | |
| | | | | | | SHEET NO. 2 OF 4 | | | | | | | | | | | | | | | |