



P/N: 24ST1285B-3B DATA SHEET

Feature



- For Fast Ethernet to Gigabit Ethernet Interchangeable Designs.
- Meets IEEE802.3 and ANSI X3.263 standards.
- Operating temperature range: 0°C to +70°C.
- Storage temperature range: -25°C to +125°C.

Electrical Specifications @ 25°C

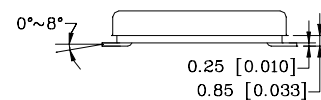
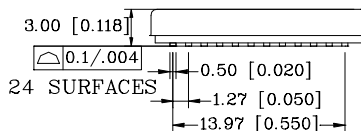
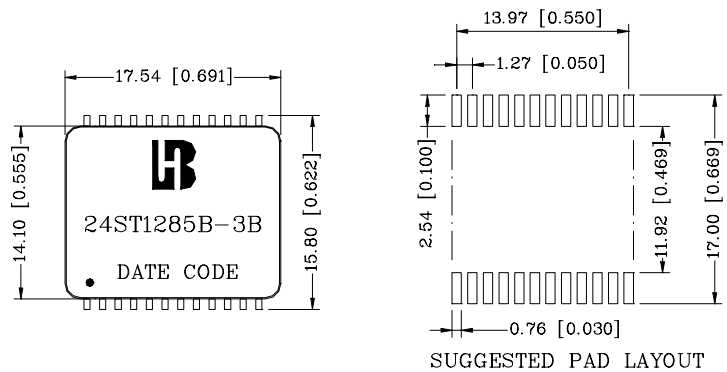
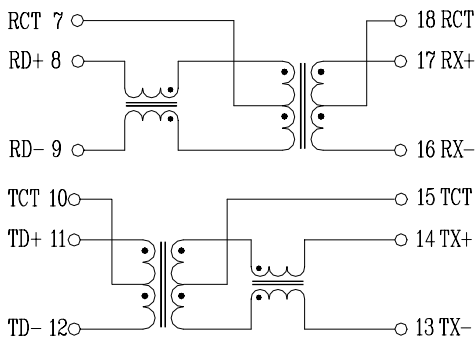
Part Number	Turns Ratio (±5%)		OCL(uH Min) @ 100KHz/0.1V with 8mA DC Bias	L.L (uH Max)	C _{ww} (pF Max)	Rise Time 10-90% (nS Typ)	HI-POT (Vrms)
	TX	RX					
24ST1285B-3B	1CT:1CT	1CT:1CT	350	0.6	28	2.5	1500

Continue

Part Number	Insertion Loss (dB Max)	Return Loss (dB Min)			Cross talk (dB Min)		DCMR (dB Min) TX/RX	
		0.3-100MHz	30MHz	60MHz	80MHz	0.3-60MHz	60-80MHz	0.3-60MHz
24ST1285B-3B	-1.0	-16	-12	-12	-40	-30	-30/-35	-30/-35

Schematic

Mechanical



Units: mm[Inches] Tolerance: xx.x0±0.25[0.010]
0.xx±0.05[0.002]