

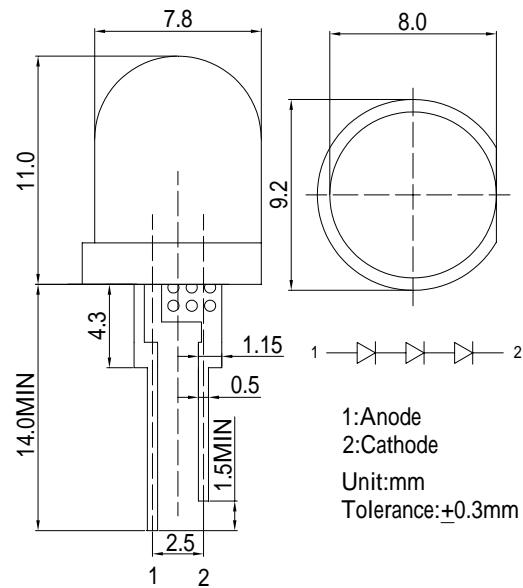
Features

- High Luminous LEDs
- 8mm Standard Directivity
- Superior Weather-resistance
- UV Resistant Epoxy
- Water Clear Type

Applications

- Electronic Signs And Signals
- Illuminations
- Medical instruments light
- Other Lighting

Outline Dimension



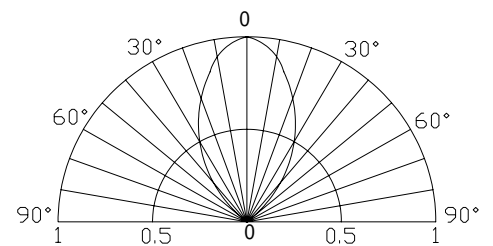
Absolute Maximum Rating

(Ta=25)

| Item | Symbol | Value | Unit |
|----------------------------|-----------|------------|------|
| DC Forward Current | I_F | 25 | mA |
| Pulse Forward Current* | I_{FP} | 100 | mA |
| Reverse Voltage | V_R | 15 | V |
| Power Dissipation | P_D | 270 | mW |
| Operating Temperature | T_{opr} | -30 ~ +85 | |
| Storage Temperature | T_{stg} | -40 ~ +100 | |
| Lead Soldering Temperature | T_{sol} | 260 /5sec | - |

*Pulse width Max 10ms , Duty ratio max 1/10

Directivity



Electrical -Optical Characteristics

(Ta=25)

| Item | Symbol | Condition | Min. | Typ. | Max. | Unit |
|---------------------------|-----------------|------------|------|------|------|---------|
| DC Forward Voltage | V_F | $I_F=20mA$ | 8.7 | 9.3 | 10.8 | V |
| DC Reverse Current | I_R | $V_R=15V$ | - | - | 10 | μA |
| Luminous Intensity* | I_v | $I_F=20mA$ | - | 9500 | - | mcd |
| Chromaticity Coordinates* | x | $I_F=20mA$ | - | 0.45 | - | |
| | y | $I_F=20mA$ | - | 0.41 | - | |
| 50% Power Angle | $2\theta_{1/2}$ | $I_F=20mA$ | - | 60 | - | deg |

*1 Tolerance of chromaticity coordinates ±10%

*2 Tolerance of luminous intensity is ±15%