

**PLEASE CHECK WWW.MOLEX.COM FOR LATEST PART INFORMATION**

**Part Number:** [0471521100](#)  
**Status:** **Active**  
**Overview:** high definition multimedia interface hdmi  
**Description:** 1.00mm (.039") Pitch HDMI\* Cable Plug, Straight, Gold (Au) Plated Contacts, White Housing, 19 Circuits, Lead Free

**Documents:**

[3D Model](#) [RoHS Certificate of Compliance \(PDF\)](#)  
[Drawing \(PDF\)](#)

**General**

Product Family	IDT and Solder Connectors
Series	<a href="#">47152</a>
Crimp Quality Equipment	Yes
Overview	<u>high definition multimedia interface hdmi</u>
Product Name	HDMI*
Use With	<a href="#">47152-400*</a> after soldering to cable

**Physical**

Circuits (Loaded)	19
Circuits (maximum)	19
Color - Resin	White
Durability (mating cycles max)	10,000
Gender	Plug
Glow-Wire Compliant	No
Lock to Mating Part	Yes
Material - Metal	Copper Alloy
Material - Plating Mating	Gold
Material - Plating Termination	Tin
Material - Resin	Thermoplastic Elastomer
Number of Rows	2
Packaging Type	Bag
Pitch - Mating Interface (in)	0.039 In
Pitch - Mating Interface (mm)	1.00 mm
Pitch - Term. Interface (in)	0.039 In
Pitch - Term. Interface (mm)	1.00 mm
Polarized to Mating Part	Yes
Stackable	No
Temperature Range - Operating	-20°C to +85°C
Termination Interface: Style	Solder or Weld
Wire Size AWG	26, 28, 30, 32

**Electrical**

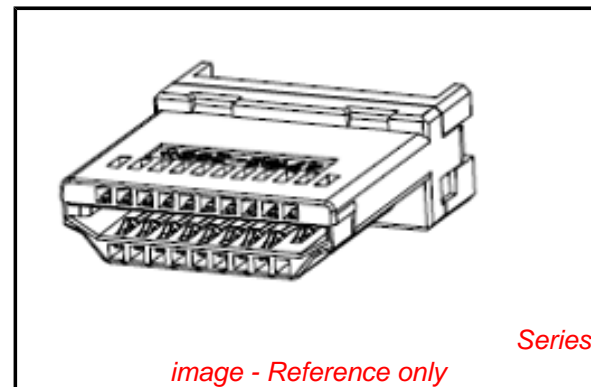
Current - Maximum per Contact	0.5A
Voltage - Maximum	40V DC

**Material Info**

**Reference - Drawing Numbers**

Packaging Specification	PK-47152-001
Sales Drawing	SD-47152-001

\* High Definition Multimedia Interface and HDMI are trademarks of HDMI Licensing, LLC.



**EU RoHS**

**ELV and RoHS  
Compliant**  
**REACH SVHC**  
 Not Reviewed  
**Halogen-Free  
Status**

**China RoHS**



**Need more information on product  
environmental compliance?**

Email [productcompliance@molex.com](mailto:productcompliance@molex.com)  
 For a multiple part number RoHS Certificate of Compliance, [click here](#)

Please visit the [Contact Us](#) section for any non-product compliance questions.

**Search Parts in this Series**  
[47152Series](#)

10 9 8 7 6 5 4 3 2 1

F

E

D

C

B

A

F

E

D

C

B

A

NOTES:

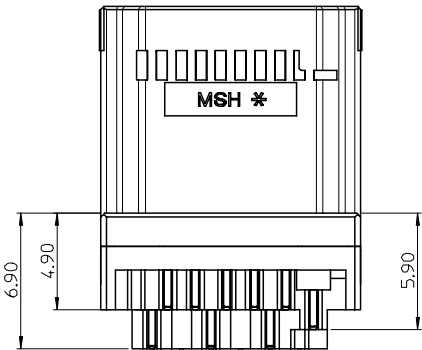
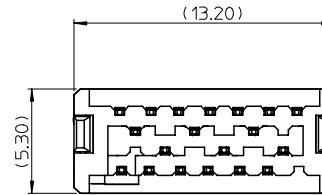
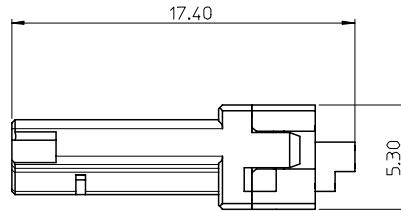
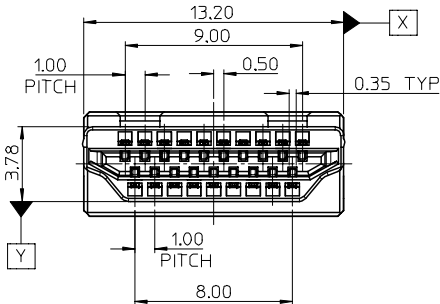
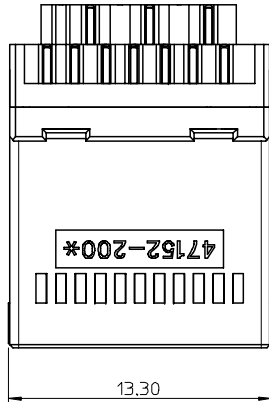
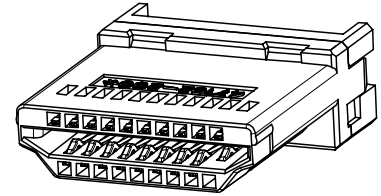
1. MATERIAL:

HOUSING: THERMAL PLASTIC UL94V-0, COLOR: SEE CHART.  
 GUIDE: THERMAL PLASTIC UL94V-0, COLOR: SEE CHART.  
 TERMINAL: COPPER ALLOY.

2. PLATING:

TERMINAL: CONTACT AREA GOLD PLATED AND SOLDER AREA TIN PLATED,  
 UNDER PLATE NICKEL PLATED.  
 HOUSING: NONE.

3. AFTER SOLDER CABLE, IT SHOULD BE ASSEMBLED WITH 47152-400\*.



471521100	WHITE
471521000	BLACK

NEW RELEASE EC NO: SH2006-0080 DRWR:RZHANG CHKD: APPR:GCHEN	2005/09/09	DESCRIPTION
	2005/09/09	REV
		QUALITY SYMBOLS
		DESCRIPTION

▽=0
∇=0

GENERAL TOLERANCES (UNLESS SPECIFIED)	
	ANGULAR ± 3 °
4 PLACES	± ---
3 PLACES	± ---
2 PLACES	± 0.25
1 PLACE	± 0.25
DRAFT WHERE APPLICABLE MUST REMAIN WITHIN DIMENSIONS	

DIMENSION STYLE MM ONLY	
DRAWN BY	DATE
DATE	TITLE
CHECKED BY	DATE
DATE	DATE
APPROVED BY	DATE
DATE	DATE
MATERIAL NO.	
SEE CHART	
SIZE	
THIS DRAWING CONTAINS INFORMATION THAT IS PROPRIETARY TO MOLEX INCORPORATED AND SHOULD NOT BE USED WITHOUT WRITTEN PERMISSION	

SCALE	DESIGN UNITS	THIRD ANGLE PROJECTION
1:1	METRIC	
1.0 HDMI HARNESS HOUSING ASSEMBLY LEAD FREE		
MOLEX INCORPORATED		
DOCUMENT NO.	SHEET NO.	
SD-47152-001	1 OF 1	

9 8 7 6 5 4 3 2 1