

PLEASE CHECK WWW.MOLEX.COM FOR LATEST PART INFORMATION

Part Number: [0472710011](#)
Status: **Active**
Overview: [displayport](#)
Description: 0.50mm (.020") Pitch DisplayPort* Plug Sub-assembly, with Latch

Documents:

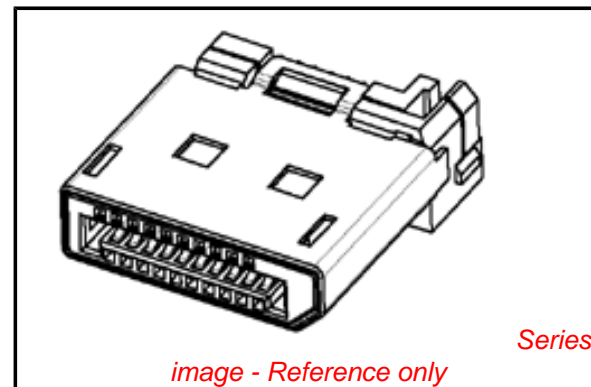
[Drawing \(PDF\)](#) [RoHS Certificate of Compliance \(PDF\)](#)
[Product Specification PS-47272-001 \(PDF\)](#)

General

Product Family	I/O Connectors
Series	47271
Application	Wire-to-Board
Comments	Part meets VESA Proposed Standard, Version 1.1
Component Type	I/O Plug Connector Subassembly
MolexKits	Yes
Overview	displayport
Product Name	DisplayPort*
Type	A

Physical

Boot Color	N/A
Circuits (Loaded)	20
Circuits (maximum)	20
Color - Resin	Black
Gender	Plug
Keying to Mating Part	N/A
Lock to Mating Part	Yes
Material - Metal	Brass, High Performance Alloy (HPA)
Material - Plating Mating	Gold
Material - Plating Termination	Tin
Material - Resin	High Temperature Thermoplastic
Number of Rows	2
Orientation	Straight
PC Tail Length (in)	0.000 In
PC Tail Length (mm)	0.00 mm
PCB Locator	No
PCB Retention	N/A
PCB Thickness Recommended (in)	0.000 In
PCB Thickness Recommended (mm)	0.00 mm
Packaging Type	Bag
Panel Mount	N/A
Pitch - Mating Interface (in)	0.039 In
Pitch - Mating Interface (mm)	0.50 mm
Pitch - Term. Interface (in)	0.039 In
Pitch - Term. Interface (mm)	0.50 mm
Plating min: Mating (µin)	32
Plating min: Mating (µm)	0.8
Plating min: Termination (µin)	80
Plating min: Termination (µm)	2
Polarized to Mating Part	Yes
Polarized to PCB	N/A
Ports	1
Surface Mount Compatible (SMC)	Yes
Temperature Range - Operating	-20°C to +85°C
Termination Interface: Style	Surface Mount



EU RoHS

**ELV and RoHS
Compliant**
**REACH SVHC
Contains SVHC: No**
**Halogen-Free
Status**

China RoHS



**Need more information on product
environmental compliance?**

Email productcompliance@molex.com
 For a multiple part number RoHS Certificate of Compliance, [click here](#)

Please visit the [Contact Us](#) section for any non-product compliance questions.

Search Parts in this Series

[47271Series](#)

Mates With

[47272-0001](#)

Waterproof / Dustproof	No
Wire Size AWG	28, 30

Electrical

Current - Maximum per Contact	0.5A
Grounding to Panel	N/A
Shield Type	Full Shield
Shielded	Yes
Voltage - Maximum	40V AC

Material Info

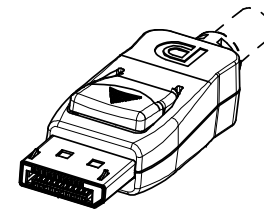
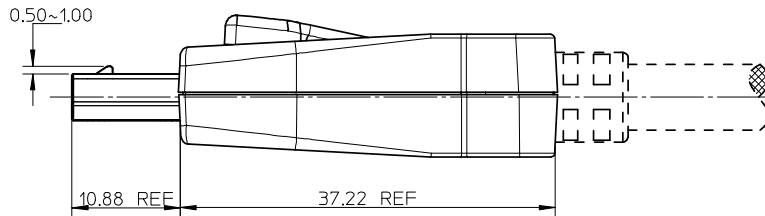
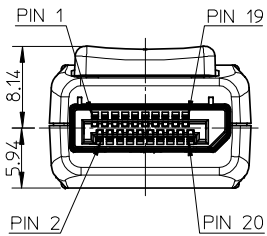
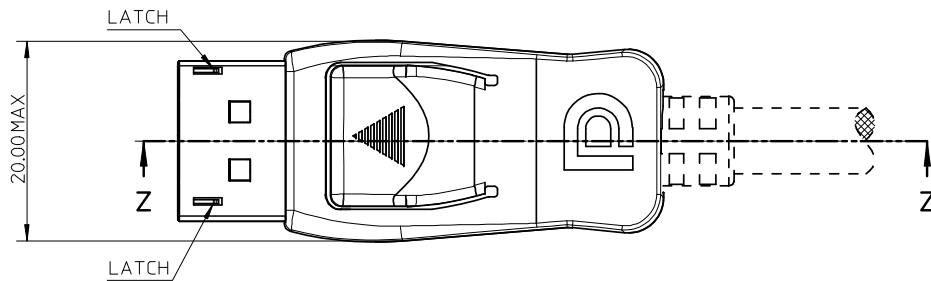
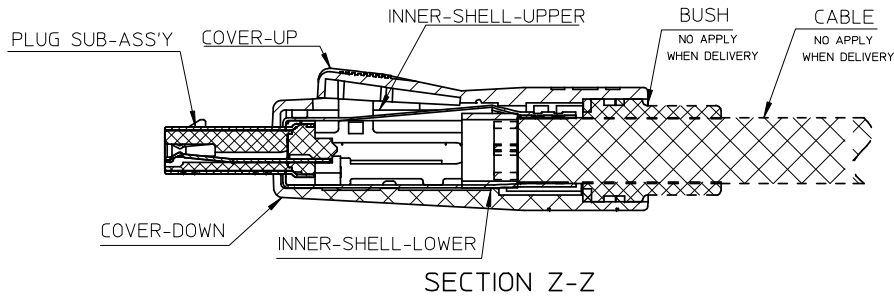
Reference - Drawing Numbers

Packaging Specification	PK-47271-001
Product Specification	PS-47272-001
Sales Drawing	SD-47271-001

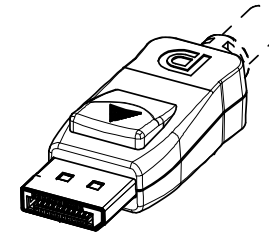
* DisplayPort is a Trademark of VESA

This document was generated on 06/07/2010

PLEASE CHECK WWW.MOLEX.COM FOR LATEST PART INFORMATION



WITH LATCHES

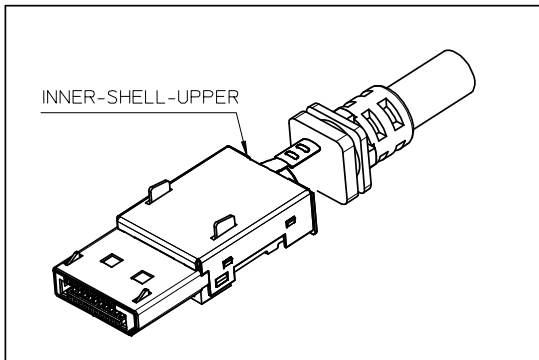


WITHOUT LATCHES

NOTES:

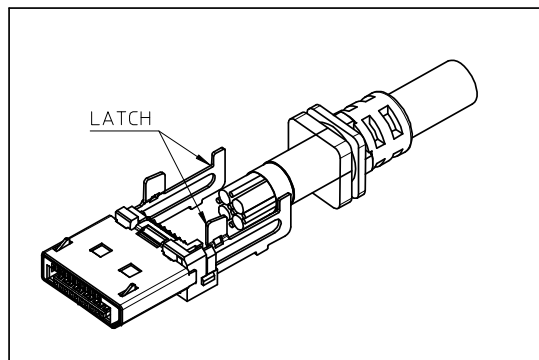
1. CABLE ASSEMBLY DRAWING ONLY FOR CUSTOMER REFERENCE. ALL COMPONENTS WILL BE DELIVERED DISPERSEDLY.
2. THIS PART MEET VESA PROPOSED STANDARD, VERSION1.1.
3. MATES WITH 47272-0001
4. USE WITH CABLE 28&30 AWG
5. MATERIAL :
HOUSING : HGIH TEMPERATURE THERMAL PLASTIC GLASS FILLED , BLACK, UL94V-0
TERMINAL: COPPER ALLOY THICKNESS 0.3 MM
SHIELD CASE : COPPER ALLOY THICKNESS 0.3 MM
6. PLATING :
TERMINAL:
CONTACT AREA : GOLD 0.76 MICROMETER MINIMUM.
UNDER PLATING : NICKEL 1.27 MICROMETER MINIMUM.
7. PRODUCT SPEC: PS-47272-001
8. CONNECTOR DIRECT SOLDER WITH WIRE
9. PRODUCT COMPLANT TO ROHS DIERTIVE 2002/95/EC AND ELV DIRECTIVE 2000/53/EC

NEW RELEASE EC NO: SH2008-0288 DRWN: HHE 2008/04/07 CHKD: RZHANG APPR: HWANG 2008/04/25 REV DESCRIPTION	QUALITY SYMBOLS	GENERAL TOLERANCES (UNLESS SPECIFIED)	DIMENSION STYLE	SCALE	DESIGN UNITS	THIRD ANGLE PROJECTION	
	$\nabla=0$ $\text{C}=0$	mm INCH 4 PLACES ± --- ± --- 3 PLACES ± --- ± --- 2 PLACES ± 0.15 ± --- 1 PLACE ± 0.15 ± --- ANGULAR ± 1 °	MM ONLY	2:1	METRIC		
		DRAFT WHERE APPLICABLE MUST REMAIN WITHIN DIMENSIONS	DRAWN BY QWFANG CHECKED BY IWANG APPROVED BY JNCHEN MATERIAL NO. SEE SHEET 3 DATE 2006/09/05 DATE 2006/09/05 DATE 2006/09/05	TITLE	PLUG ASS'Y FOR DISPLAYPORT		
			MOLEX INCORPORATED DOCUMENT NO. SD-47271-001 SHEET NO. 1 OF 5	THIS DRAWING CONTAINS INFORMATION THAT IS PROPRIETARY TO MOLEX INCORPORATED AND SHOULD NOT BE USED WITHOUT WRITTEN PERMISSION			



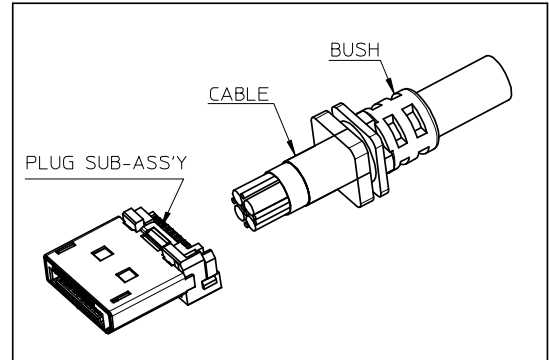
INNER-SHELL-UPPER

ASSEMBLING THE INNER-SHELL-UPPER



LATCH

ASSEMBLING THE LATCHES
(W/O LATCH TYPE NEEDN'T THIS STEP)

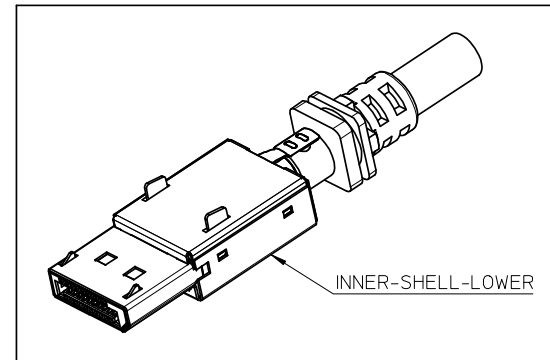


BUSH

CABLE

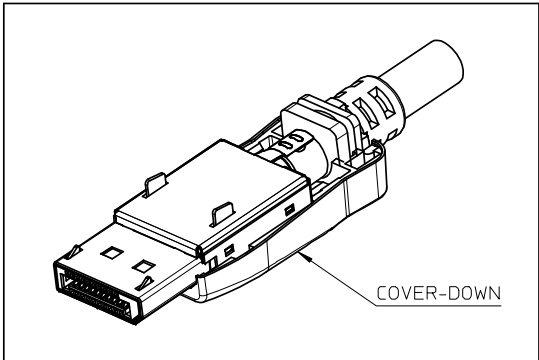
PLUG SUB-ASS'Y

WELDING SUB-ASS'Y AND CABLE



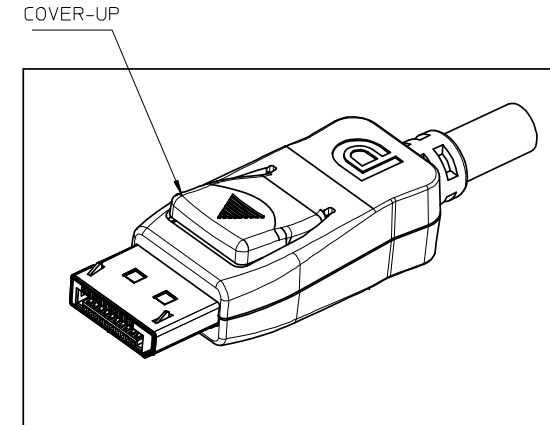
INNER-SHELL-LOWER

ASSEMBLING THE INNER-SHELL-LOWER



COVER-DOWN

ASSEMBLING THE COVER-DOWN



COVER-UP

ASSEMBLING THE COVER-UP

ASSEMBLY PROCESS

SEE SHEET 1 EC NO: SH2008-0288 DRWN: HHE 2008/04/07 CHKD: RZHANG 2008/04/08 APPR: HWANG 2008/04/25	QUALITY SYMBOLS ▽=0 ◻=0	GENERAL TOLERANCES (UNLESS SPECIFIED)		DIMENSION STYLE MM ONLY		SCALE 2:1	DESIGN UNITS METRIC	THIRD ANGLE PROJECTION		
			mm	INCH	DRAWN BY	DATE	TITLE			
		4 PLACES	± ---	± ---	QWFANG	2006/09/05	PLUG ASS'Y FOR DISPLAYPORT			
		3 PLACES	± ---	± ---	CHECKED BY	DATE				
2 PLACES	± 0.15	± ---	IWANG	2006/09/05	MOLEX INCORPORATED					
1 PLACE	± 0.15	± ---	APPROVED BY	DATE						
		ANGULAR ± 1 °		JNCHEN	2006/09/05	MATERIAL NO.		DOCUMENT NO.		
		DRAFT WHERE APPLICABLE MUST REMAIN WITHIN DIMENSIONS		SEE SHEET 3		SD-47271-001		SHEET NO. 2 OF 5		
				THIS DRAWING CONTAINS INFORMATION THAT IS PROPRIETARY TO MOLEX INCORPORATED AND SHOULD NOT BE USED WITHOUT WRITTEN PERMISSION						

COMPONENT	PLUG SUB-ASS'Y	COVER-DOWN	COVER-UP	INNER-SHELL-UPPER	INNER-SHELL-LOWER	LATCH	LATCH	REMARK
COMPONENT P/N	47271-0011	47271-0005	47271-0004	47271-1008	47271-1009	47271-1016	47271-2016	WITH LATCH
	47271-1011	47271-0005	47271-1004	47271-3008	47271-1009	/	/	WITHOUT LATCH
	DETAIL SEE SD-47271-001	DETAIL SEE SD-47271-005	DETAIL SEE SD-47271-004	DETAIL SEE SD-47271-008	DETAIL SEE SD-47271-009	DETAIL SEE SD-47271-006		

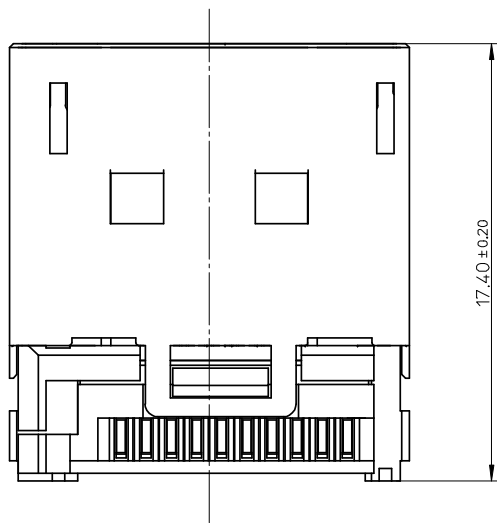
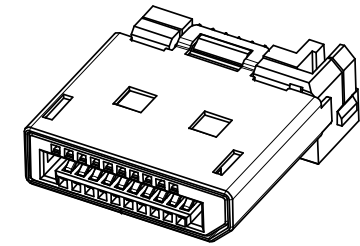
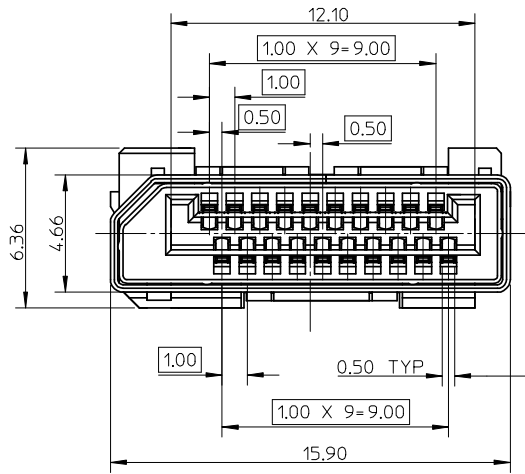
NOTES:
ALL COMPONENTS QUANTITY ARE 1.

SEE SHEET 1 EC NO: SH2008-0288 DRWN: HHE 2008/04/07 CHKD: RZHANG 2008/04/08 APPR: HWANG 2008/04/25	DESCRIPTION REV	QUALITY SYMBOLS ▽=0 ◻=0	GENERAL TOLERANCES (UNLESS SPECIFIED) <table border="1"> <thead> <tr> <th></th> <th>mm</th> <th>INCH</th> </tr> </thead> <tbody> <tr> <td>4 PLACES</td> <td>± ---</td> <td>± ---</td> </tr> <tr> <td>3 PLACES</td> <td>± ---</td> <td>± ---</td> </tr> <tr> <td>2 PLACES</td> <td>± 0.15</td> <td>± ---</td> </tr> <tr> <td>1 PLACE</td> <td>± 0.15</td> <td>± ---</td> </tr> </tbody> </table>		mm	INCH	4 PLACES	± ---	± ---	3 PLACES	± ---	± ---	2 PLACES	± 0.15	± ---	1 PLACE	± 0.15	± ---	DIMENSION STYLE MM ONLY	SCALE 5:1	DESIGN UNITS METRIC	THIRD ANGLE PROJECTION
			mm	INCH																		
		4 PLACES	± ---	± ---																		
		3 PLACES	± ---	± ---																		
2 PLACES	± 0.15	± ---																				
1 PLACE	± 0.15	± ---																				
DRAWN BY QWFANG	DATE 2006/09/05	TITLE PLUG ASS'Y FOR DISPLAYPORT																				
CHECKED BY IWANG	DATE 2006/09/05	MOLEX INCORPORATED																				
APPROVED BY JNCHEN	DATE 2006/09/05	MATERIAL NO. SEE TABLE	DOCUMENT NO. SD-47271-001	SHEET NO. 3 OF 5																		

DRAFT WHERE APPLICABLE
MUST REMAIN
WITHIN DIMENSIONS

THIS DRAWING CONTAINS INFORMATION THAT IS PROPRIETARY TO MOLEX INCORPORATED AND SHOULD NOT BE USED WITHOUT WRITTEN PERMISSION

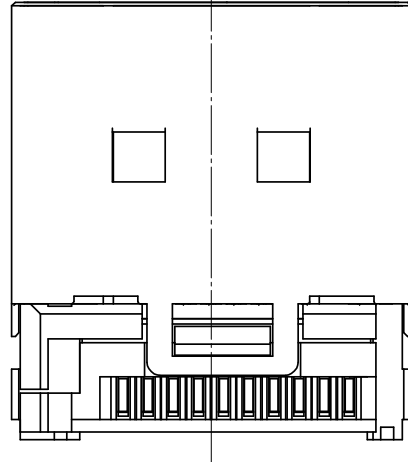
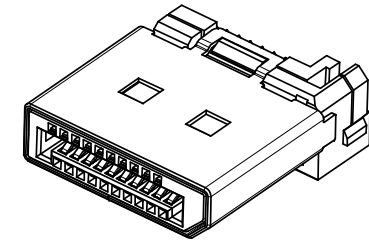
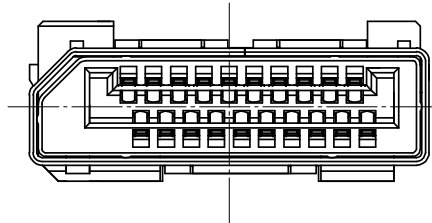
10 9 8 7 6 5 4 3 2 1



NOTES:
THIS PART IS WITH LATCHES TYPE.
CAN BE ASSEMBLED WITH LATCHES.

SEE SHEET1 EC NO: SH2008-0288 DRWN:HE 2008/04/07 CHKD:RZHANG 2008/04/08 APPR:HWANG 2008/04/25	DESCRIPTION QUALITY SYMBOLS ▽=0 ◻=0	GENERAL TOLERANCES (UNLESS SPECIFIED)		DIMENSION STYLE MM ONLY		SCALE 5:1	DESIGN UNITS METRIC	THIRD ANGLE PROJECTION		
				DRAWN BY QWFANG	DATE 2006/09/05	TITLE PLUG ASS'Y FOR DISPLAYPORT				
				CHECKED BY IWANG	DATE 2006/09/05					
				APPROVED BY JNCHEN	DATE 2006/09/05	MOLEX INCORPORATED				
		MATERIAL NO. 47271-0011		DOCUMENT NO. SD-47271-001						
DRAFT WHERE APPLICABLE MUST REMAIN WITHIN DIMENSIONS		ANGULAR ± 1 °		THIS DRAWING CONTAINS INFORMATION THAT IS PROPRIETARY TO MOLEX INCORPORATED AND SHOULD NOT BE USED WITHOUT WRITTEN PERMISSION						

9 8 7 6 5 4 3 2 1



NOTES:
 THIS PART IS WITHOUT LATCHES TYPE.
 CAN'T BE ASSEMBLED WITH LATCHES.
 UNSPECIFIED DIMENSIONS ARE SAME AS SHEET 4.

SEE SHEET1 EC NO: SH2008-0288 DRWN: HHE 2008/08/06/07 CHK: KDRZHANG 2008/04/08 APPR: HWANG 2008/04/25	DESCRIPTION REV	QUALITY SYMBOLS ▽=0 ◻=0	GENERAL TOLERANCES (UNLESS SPECIFIED)		DIMENSION STYLE MM ONLY		SCALE 5:1	DESIGN UNITS METRIC	THIRD ANGLE PROJECTION	
			4 PLACES ± --- ± --- 3 PLACES ± --- ± --- 2 PLACES ± 0.15 ± --- 1 PLACE ± 0.15 ± ---	mm INCH ± --- ± --- ± 0.15 ± --- ± 0.15 ± ---	DRAWN BY QWFANG	DATE 2006/09/05	TITLE PLUG ASS'Y FOR DISPLAYPORT			
			ANGULAR ± 1 °		CHECKED BY IWANG	DATE 2006/09/05	APPROVED BY JNCHEN 2006/09/05			
			DRAFT WHERE APPLICABLE MUST REMAIN WITHIN DIMENSIONS	MATERIAL NO. 47271-1011	DOCUMENT NO. SD-47271-001	MOLEX INCORPORATED		SHEET NO. 5 OF 5		