

Series HF601

High Speed Flip Type ZIF Connector 90°, SMT (0.50mm Pitch)

High Speed Connectors

Specifications

- Insulation Resistance: 500MΩ min.
- Contact Resistance: 50mΩ max.
- Withstanding Voltage: 500V AC for 1 minute
- Voltage Rating: 50V AC
- Current Rating: 0.5A
- Operating Temp. Range: -40°C to +85°C
- Mating Cycles: 20 times

Materials and Finish

- Insulator: LCP
- Actuator: PA9T
- Contact: Copper Alloy, Au over Ni

Features

- Flip type ZIF connector, SMT
- Transmission speed up to 3Gbps
- Super low profile, height = 2mm
- FFC/FPC with and without positioning part can be used
- Packaging tape and reel (2,000 pcs. per reel)

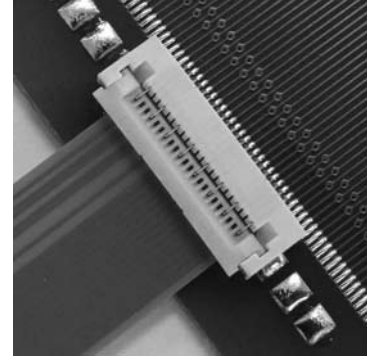
Part Number (Details)

HF601 - 22 - 03

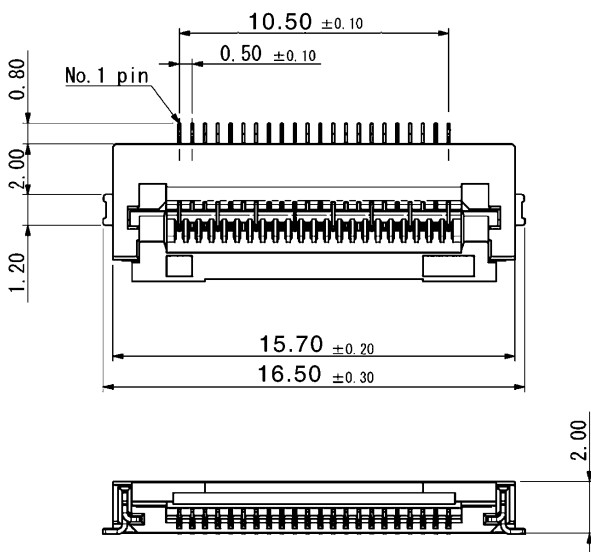
Series No.

Pin Count

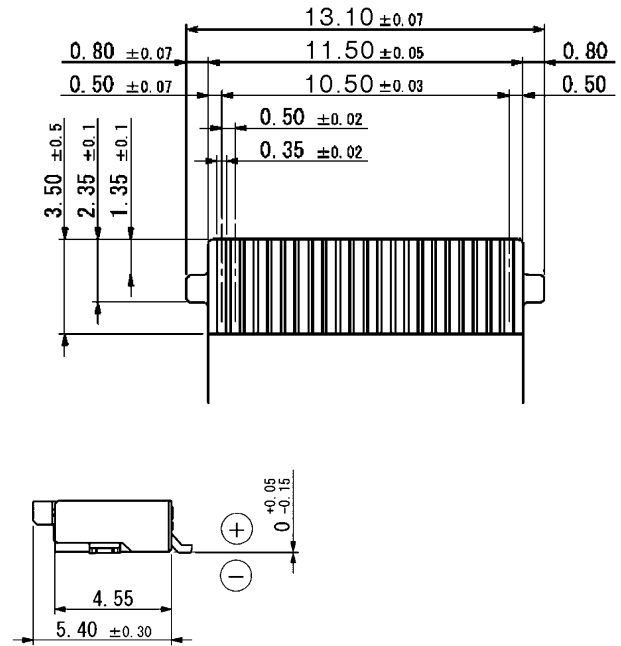
Design No.



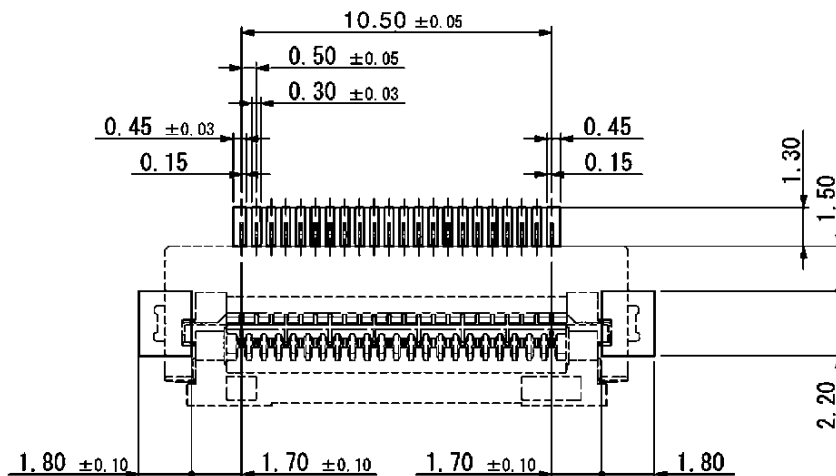
Outline Dimensions Connector



Recommended PCB Layout



Recommended FFC/FPC



Non-ZIF Connectors for High Speed Cable