

**PLEASE CHECK WWW.MOLEX.COM FOR LATEST PART INFORMATION**

**Part Number:** **0483256001**  
**Status:** **Active**  
**Overview:** slimline serial ata odd connectors  
**Description:** 1.00mm (.039"), 1.27mm (.050") Pitch Slimline Serial ATA Receptacle, Right Angle, Reverse Type, Through Hole, Gold (Au) Flash Plating, Mounted Height: 7.30mm (.287"), with Cap and Screw, Lead free

**Documents:**

[3D Model](#) [Product Specification PS-48321-001 \(PDF\)](#)  
[Drawing \(PDF\)](#) [RoHS Certificate of Compliance \(PDF\)](#)

**Agency Certification**

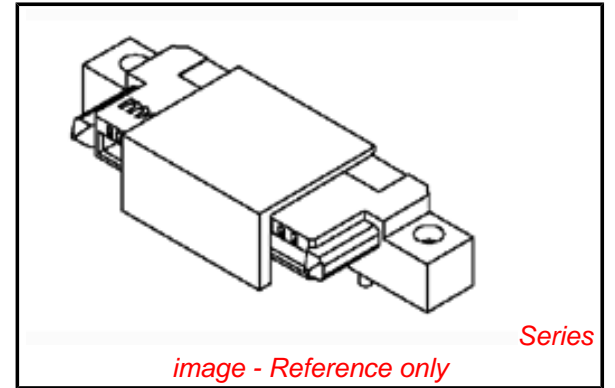
CSA LR19980  
 UL E29179

**General**

Product Family PCB Receptacles  
 Series 48325  
 Application Board-to-Board  
 Comments Screw version  
 Overview slimline serial ata odd connectors  
 Product Name Serial ATA, Slimline Serial ATA

**Physical**

Circuits (Loaded) 13  
 Circuits (maximum) 13  
 Color - Resin Black  
 Durability (mating cycles max) 500  
 Flammability 94V-0  
 Glow-Wire Compliant No  
 Guide to Mating Part Yes  
 Keying to Mating Part Yes  
 Lock to Mating Part No  
 Material - Metal Copper Alloy  
 Material - Plating Mating Gold  
 Material - Plating Termination Tin  
 Material - Resin High Temperature Thermoplastic  
 Number of Rows 1  
 Orientation Right Angle  
 PC Tail Length (in) 0.071 In  
 PC Tail Length (mm) 1.80 mm  
 PCB Locator Yes  
 PCB Retention Yes  
 PCB Thickness Recommended (in) 0.047 In  
 PCB Thickness Recommended (mm) 1.20 mm  
 Packaging Type Embossed Tape on Reel  
 Pitch - Mating Interface (in) 0.039 In, 0.050 In  
 Pitch - Mating Interface (mm) 1.00 mm, 1.27 mm  
 Pitch - Term. Interface (in) 0.039 In, 0.050 In  
 Pitch - Term. Interface (mm) 1.00 mm, 1.27 mm  
 Plating min: Mating (µin) 2  
 Plating min: Mating (µm) 0.05  
 Plating min: Termination (µin) 100  
 Plating min: Termination (µm) 2.54  
 Polarized to Mating Part Yes  
 Polarized to PCB Yes



**EU RoHS**

**ELV and RoHS  
 Compliant**  
**REACH SVHC  
 Not Reviewed**  
**Halogen-Free  
 Status  
 Not Reviewed**

**China RoHS**



**Need more information on product  
 environmental compliance?**

Email [productcompliance@molex.com](mailto:productcompliance@molex.com)  
 For a multiple part number RoHS Certificate of Compliance, [click here](#)

Please visit the [Contact Us](#) section for any non-product compliance questions.

**Search Parts in this Series**

48325Series

**Mates With**

473001xxx Slimline Serial ATA Plugs

Robotic Placement	Pick and Place Cap
Stackable	No
Surface Mount Compatible (SMC)	Yes
Temperature Range - Operating	-40°C to +85°C
Termination Interface: Style	Through Hole

### **Electrical**

Current - Maximum per Contact	1A
Grounding to PCB	Yes
Voltage - Maximum	15V (RMS)

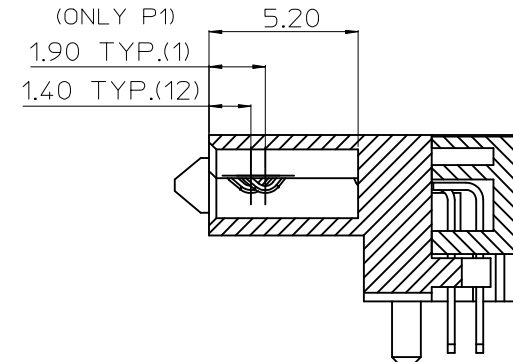
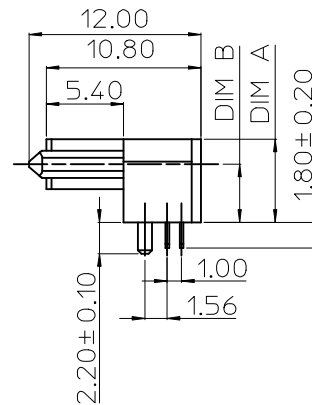
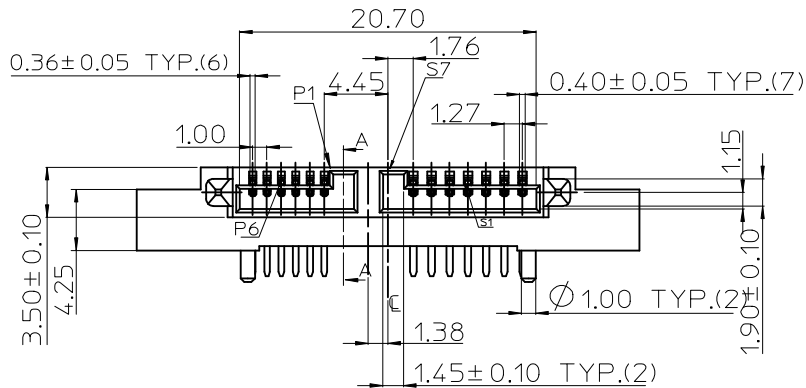
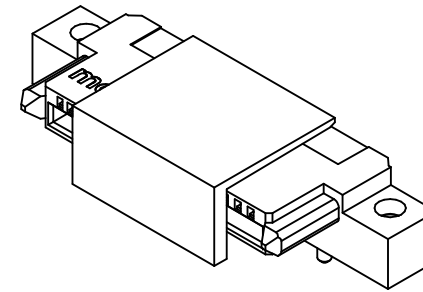
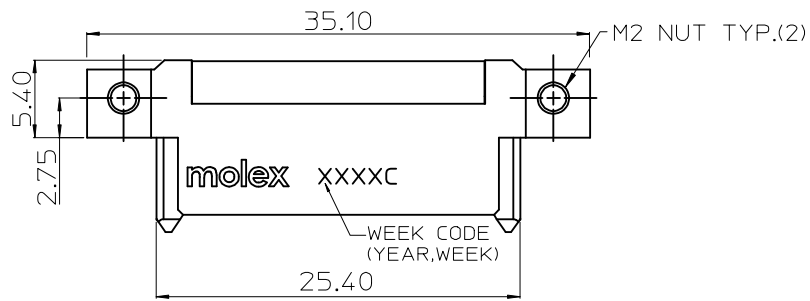
### **Material Info**

### **Reference - Drawing Numbers**

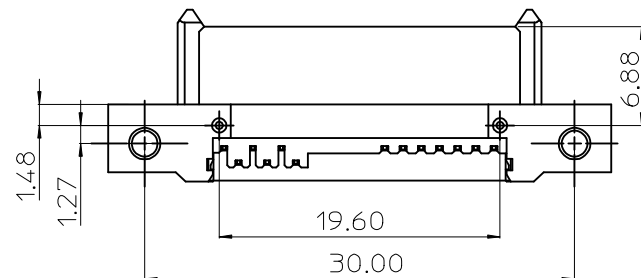
Packaging Specification	PK-48325-003
Product Specification	PS-48321-001
Sales Drawing	SD-48325-001
Test Summary	TS-48325-001

This document was generated on 05/31/2010

**PLEASE CHECK [WWW.MOLEX.COM](http://WWW.MOLEX.COM) FOR LATEST PART INFORMATION**



SECTION A-A  
SCALE 2:1

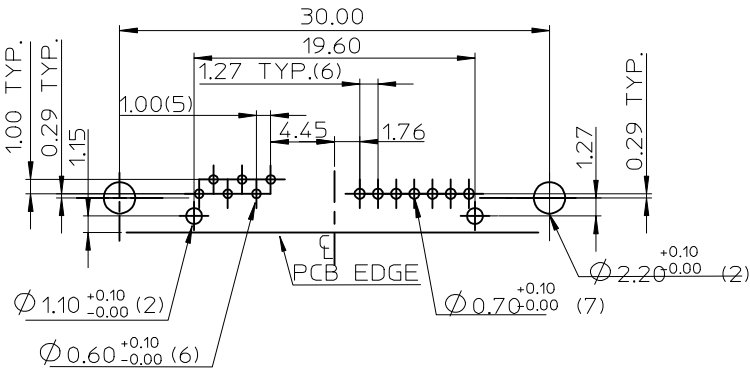
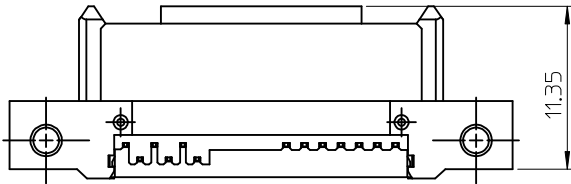
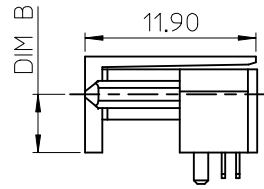
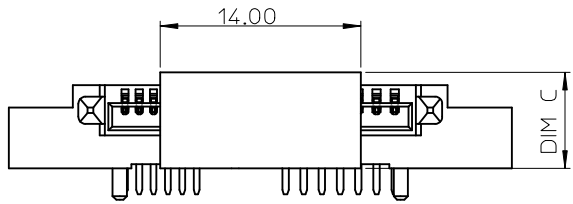


CHANGE NUT MATERIAL  
EC NO: SH2008-0643  
DRW: LLIU10  
CHK: DDAVID  
APPR: HMMANG  
2008/10/13

REV	DESCRIPTION
B	CHANGE NUT MATERIAL

QUALITY SYMBOLS	GENERAL TOLERANCES (UNLESS SPECIFIED)
▽=0	mm INCH
∇=0	4 PLACES ± --- ± ---
	3 PLACES ± --- ± ---
	2 PLACES ± 0.25 ± ---
	1 PLACE ± 0.25 ± ---
	ANGULAR ± 3 °
	DRAFT WHERE APPLICABLE MUST REMAIN WITHIN DIMENSIONS

DIMENSION STYLE		SCALE	DESIGN UNITS	THIRD ANGLE PROJECTION
MM ONLY		1:1	METRIC	☉
DRAWN BY	DATE	TITLE		
LINDA	2008/01/04	SLIMLINE SATA RECEPTACLE REVERSE RIGHT ANGLE WITH SCREW		
CHECKED BY	DATE	MOLEX INCORPORATED		
ALLEN LIN	2008/01/07	DOCUMENT NO. SD-48325-001		
APPROVED BY	DATE	SHEET NO. 1 OF 2		
ERICK LAN	2008/01/07	THIS DRAWING CONTAINS INFORMATION THAT IS PROPRIETARY TO MOLEX INCORPORATED AND SHOULD NOT BE USED WITHOUT WRITTEN PERMISSION		
MATERIAL NO.	SEE TABLE			



RECOMMENDED PC BOARD LAYOUT  
TOLERANCE: ±0.05mm(TOP VIEW)

P/N	PLATING OPTIONS	DIM A	DIM B	DIM C	WITHSTANDING MFG TEST
48325-4001	GOLD FLASH	5.80	4.05	6.70	NO
48325-4002	15 MICROINCH				NO
48325-4003	30 MICROINCH				YES
48325-5001	GOLD FLASH	10.80	9.05	11.70	NO
48325-5002	15 MICROINCH				NO
48325-5003	30 MICROINCH				YES
48325-6001	GOLD FLASH	7.30	5.55	8.20	NO
48325-6002	15 MICROINCH				NO
48325-6003	30 MICROINCH				YES

NOTES:

- MATERIAL:  
 HOUSING & CAP: LIQUID CRYSTAL POLYMER, GLASS FIBER FILLED, UL94V-0, COLOR: BLACK.  
 TERMINAL: COPPER ALLOY.  
 NUT: ZINC ALLOY.
- PLATING:  
 TERMINAL:  
 CONTACT AREA: SEE TABLE  
 SOLDER TAIL: MATTE TIN, THICKNESS=100 MICROINCH MIN/2.54 MICROMETER MIN.  
 UNDER PLATE: NICKEL(NI).  
 NUT: NICKEL(NI), THICKNESS=50 MICROINCH MIN/1.27 MICROMETER MIN.
- MATES WITH: SERIES 47300.
- RECOMMENDED PCB THICKNESS: 1.20±0.05mm
- PRODUCT SPECIFICATION REFER TO PS-48321-001
- TEST SUMMARY REFER TO TS-48325-001
- PACKAGING SPECIFICATION REFER TO PK-48325-001
- LEAD FREE & RoHS COMPLIANT PRODUCT.

SEE SHEET 1 EC NO: SH2008-0643 DRW: LLI1010 CHKD: DAVID APPR: HWANG	REV 2008/09/18 2008/10/13	QUALITY SYMBOLS ▽=0 ◻=0	GENERAL TOLERANCES (UNLESS SPECIFIED)		DIMENSION STYLE MM ONLY	SCALE 1:1	DESIGN UNITS METRIC	THIRD ANGLE PROJECTION
			mm	INCH	DRAWN BY LINDA	DATE 2008/01/04	TITLE SLIMLINE SATA RECEPTACLE REVERSE RIGHT ANGLE WITH SCREW	
			4 PLACES ± --- ± ---		CHECKED BY ALLEN LIN	DATE 2008/01/07	MOLEX INCORPORATED	
			3 PLACES ± --- ± ---		APPROVED BY ERICK LAN	DATE 2008/01/07	DOCUMENT NO. SD-48325-001	SHEET NO. 2 OF 2
			2 PLACES ± 0.25 ± ---		THIS DRAWING CONTAINS INFORMATION THAT IS PROPRIETARY TO MOLEX INCORPORATED AND SHOULD NOT BE USED WITHOUT WRITTEN PERMISSION			
			1 PLACE ± 0.25 ± ---					
			ANGULAR ± 3 °					
			DRAFT WHERE APPLICABLE MUST REMAIN WITHIN DIMENSIONS					