

**PLEASE CHECK WWW.MOLEX.COM FOR LATEST PART INFORMATION**

**Part Number:** [0493470411](#)  
**Status:** **Active**  
**Description:** 1.52mm (.060") Pitch, Sealed Wire-to-Board Housing, Female, 4 Circuits

**Documents:**

[Packaging Specification \(PDF\)](#)      [Product Specification PS-49347-001 \(PDF\)](#)  
[Drawing \(PDF\)](#)      [RoHS Certificate of Compliance \(PDF\)](#)

**General**

Product Family      Crimp Housings  
Series      [49347](#)  
Product Name      N/A

**Physical**

Circuits (maximum)      4  
Color - Resin      Black  
Gender      Female  
Glow-Wire Compliant      No  
Keying to Mating Part      N/A  
Lock to Mating Part      None  
Material - Resin      Polyester  
Number of Rows      2  
Packaging Type      Bag  
Panel Mount      No  
Pitch - Mating Interface (in)      0.213 In  
Pitch - Mating Interface (mm)      5.40 mm  
Pitch - Term. Interface (in)      0.213 In  
Pitch - Term. Interface (mm)      5.40 mm  
Polarized to Mating Part      Yes  
Ports      1  
Stackable      No  
Temperature Range - Operating      -40°C to +85°C

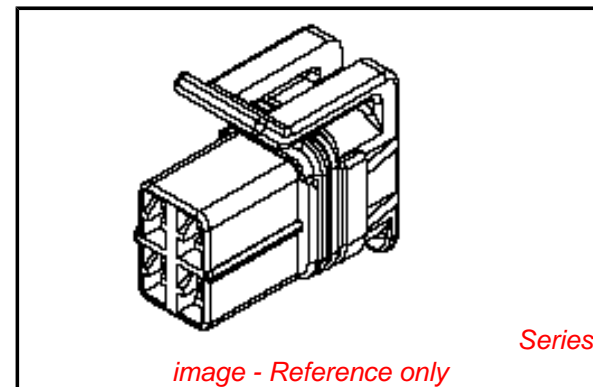
**Electrical**

Current - Maximum per Contact      6A

**Material Info**

**Reference - Drawing Numbers**

Product Specification      PS-49347-001  
Sales Drawing      SD-49347-001



**EU RoHS**

**ELV and RoHS  
Compliant**  
**REACH SVHC**  
Not Reviewed  
**Halogen-Free  
Status**

**China RoHS**



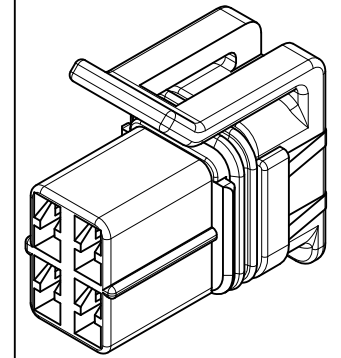
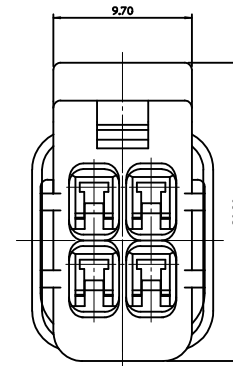
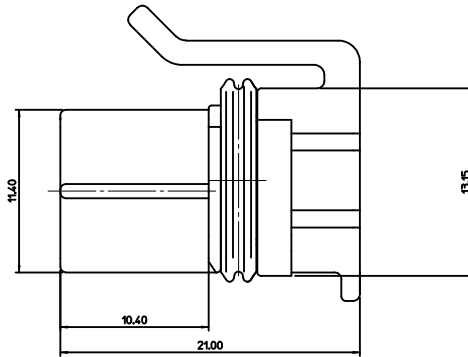
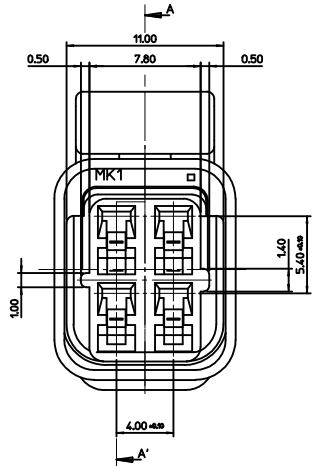
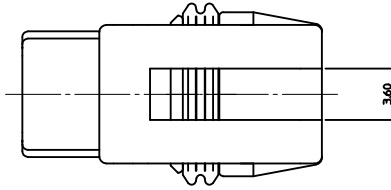
**Need more information on product  
environmental compliance?**

Email [productcompliance@molex.com](mailto:productcompliance@molex.com)  
For a multiple part number RoHS Certificate of  
Compliance, [click here](#)

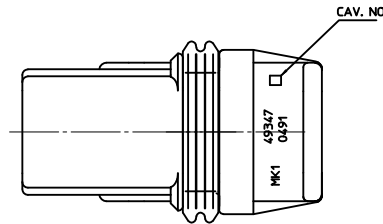
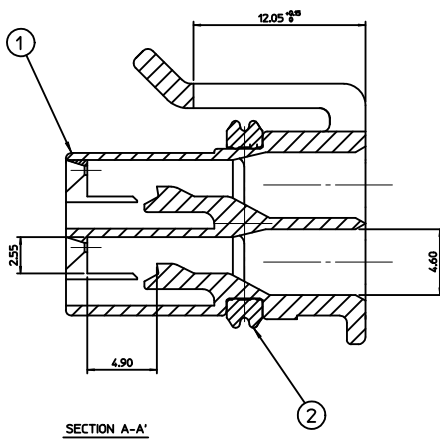
Please visit the [Contact Us](#) section for any  
non-product compliance questions.

**Search Parts in this Series**  
[49347Series](#)

NO.	PART NAME	MATERIAL	COLOR	Q'TY
①	F/HSG 4P	POLYESTER	BLACK	1
②	INNER SEAL	OIL SIKICONE	RED	1



ISOVIEW



<NOTE>

- ASSEMBLY PART NO. : 49347-0411
- APPLICABLE HEADER ASS'Y : 49348-0411/0415/0416
- APPLICABLE FEMALE TERMINAL : 57969-6702
- APPLICABLE WIRE SEAL :

PART NO.	WIRE SIZE(mm <sup>2</sup> )	MATERIAL
35903-0114	AVS 0.3 AVSS 0.3~0.5	OIL SILICONE

<TABLE>

MATERIAL NO.	ORDER NO.
493470411	49347-0411

REV	DESCRIPTION	QUALITY SYMBOLS	GENERAL TOLERANCES (UNLESS SPECIFIED)		DIMENSION STYLE		SCALE	DESIGN UNITS	THIRD ANGLE PROJECTION
			mm	INCH	MM ONLY	TITLE			
REVISED	EC NO: KOR2010-0137	▽=0	4 PLACES ± ---	± ---	DRAWN BY	DATE	4:1	METRIC	060 SEALED W/B CONN. FEMALE HSG ASS'Y 4P
U	DRW: NKKIM 2010/04/30	▽=0	3 PLACES ± ---	± ---	SMKIM	2005/07/07			
	CHKD: BCY00N 2010/05/04		2 PLACES ± 0.2	± ---	CHECKED BY	DATE	SEE TABLE	DOCUMENT NO.	SD-49347-001
	APPR: YUNS IKKIM 2010/05/04		1 PLACE ± 0.3	± ---	BCY00N	2005/07/07			
			ANGULAR ± 1 °		APPROVED BY	DATE	1 OF 1		
			DRAFT WHERE APPLICABLE MUST REMAIN WITHIN DIMENSIONS		CWLEE	2005/07/07			
					MATERIAL NO.				