

PLEASE CHECK WWW.MOLEX.COM FOR LATEST PART INFORMATION

Part Number: [0476411000](#)
Status: **Active**
Description: 10 PIN MINI USB RECEPTACLE CONNECTOR

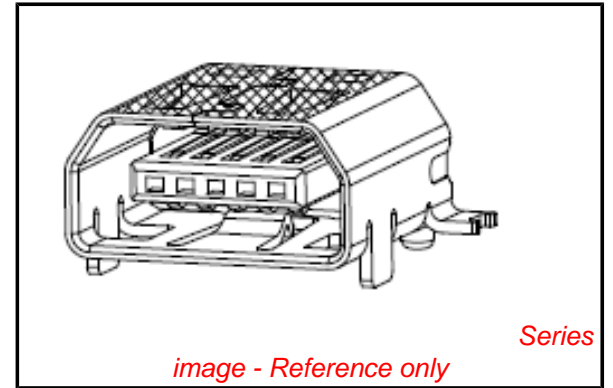
Documents:

[3D Model](#) [Product Specification PS-47641-001 \(PDF\)](#)
[Drawing \(PDF\)](#) [RoHS Certificate of Compliance \(PDF\)](#)

Material Info

Reference - Drawing Numbers

Product Specification PS-47641-001
Sales Drawing SD-47641-001



EU RoHS

**ELV and RoHS
Compliant**
**REACH SVHC
Not Reviewed**
**Halogen-Free
Status
Not Reviewed**

China RoHS

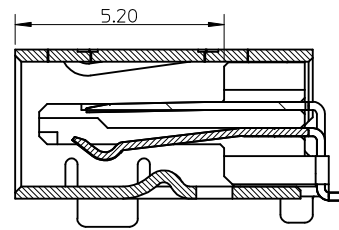
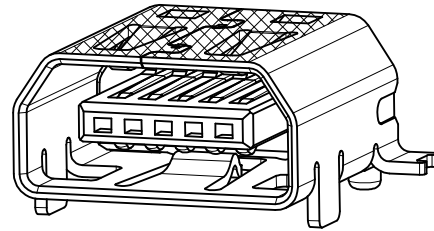
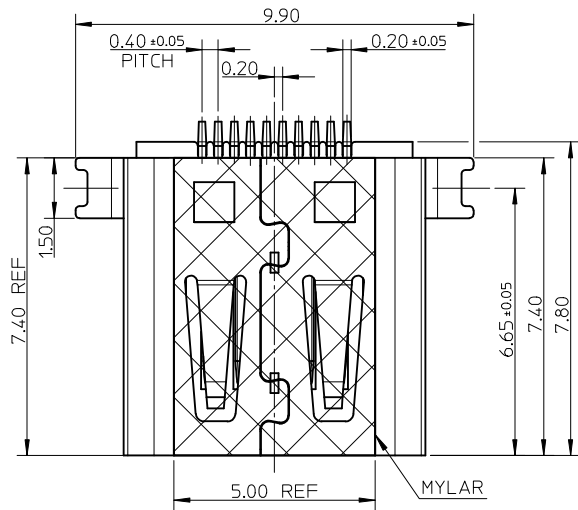


**Need more information on product
environmental compliance?**

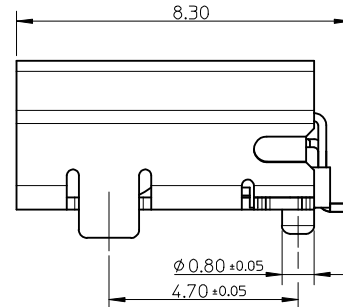
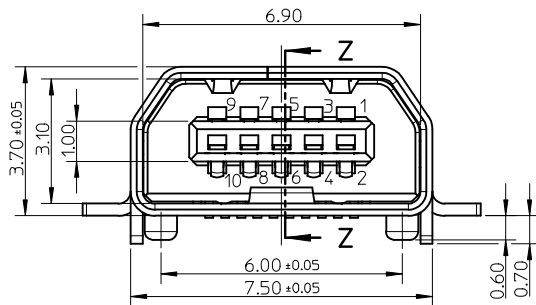
Email productcompliance@molex.com
For a multiple part number RoHS Certificate of
Compliance, [click here](#)

Please visit the [Contact Us](#) section for any
non-product compliance questions.

Search Parts in this Series
47641Series

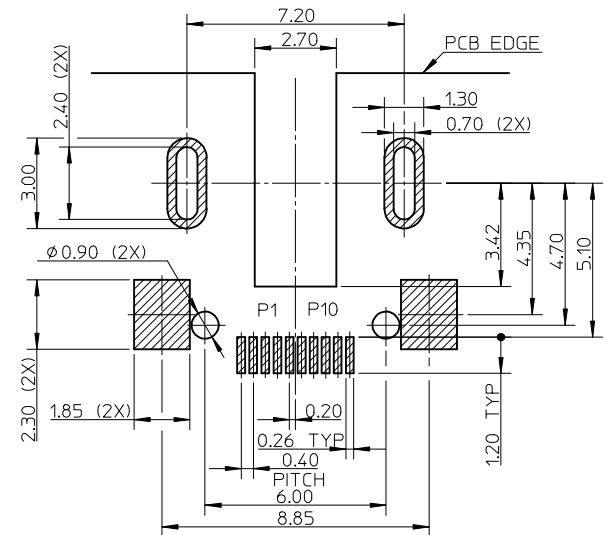


SECTION Z-Z



NOTE:

- MATERIAL:
HOUSING: HIGH TEMPERATURE THERMAL PLASTIC, BLACK, UL94V-0.
TERMINAL: COPPER ALLOY, THICKNESS = 0.2mm.
SHELL: STAINLESS STEEL, THICKNESS = 0.3mm.
- PLATING:
TERMINAL:
CONTACT AREA: GOLD 0.76 MICRON MINIMUM.
SOLDER TAIL AREA: TIN-BISMUTH 1.27 MICRON MINIMUM.
UNDER PLATING: NICKEL 1.27 MICRON MINIMUM.
SHELL:
MATTE TIN 2.54 MICRON MINIMUM.
UNDER PLATING: NICKEL 1.27 MICRON MINIMUM.
- TAIL & NAIL COPLANARITY 0.08mm MAXIMUM.
- PRODUCT SPECIFICATION: REFER TO PS-47641-001.
- PACKAGING: TAPE & REEL, REFER TO PK-47641-001.
- PRODUCT COMPLIANT TO RoHS DIRECTIVE 2002/95/EC AND ELV DIRECTIVE 2000/53/EC.



RECOMMENDED PCB PATTERN LAYOUT
GENERAL TOLERANCE IS 0.05mm

REVISED EC NO: SH2009-0478 DRWN: XQZHANG 2009/02/24 CHKD: XJ SONG 2009/02/24 APPR: HWANG 2009/02/26	QUALITY SYMBOLS ▽=0 ∇=0	GENERAL TOLERANCES (UNLESS SPECIFIED)		DIMENSION STYLE	SCALE	DESIGN UNITS	THIRD ANGLE PROJECTION	
		mm	INCH	MM ONLY	1:1	METRIC		
		4 PLACES	± ---	± ---	DRAWN BY	DATE	TITLE	
		3 PLACES	± ---	± ---	HZHAO	2007/12/20	10 PIN MINI USB AB REC. ASS'Y SMT TYPE	
		2 PLACES	± 0.25	± ---	CHECKED BY	DATE		
		1 PLACE	± 0.25	± ---	JTIAN	2007/12/20		
		ANGULAR ± 3 °		APPROVED BY	DATE	MOLEX MOLEX INCORPORATED		
		DRAFT WHERE APPLICABLE MUST REMAIN WITHIN DIMENSIONS		HWANG	2007/12/20	DOCUMENT NO.		
				MATERIAL NO.	47641-1000		SHEET NO.	
				SIZE	THIS DRAWING CONTAINS INFORMATION THAT IS PROPRIETARY TO MOLEX INCORPORATED AND SHOULD NOT BE USED WITHOUT WRITTEN PERMISSION		1 OF 1	
					SD-47641-001			