

**PLEASE CHECK WWW.MOLEX.COM FOR LATEST PART INFORMATION**

**Part Number:** [5024390500](#)  
**Status:** **Active**  
**Overview:** [klikmate wireto board connectors](#)  
**Description:** 2.00mm (.079") Pitch CLIK-Mate™ Wire-to-Board Housing, Single Row, Positive Lock, 5 Circuits

**Documents:**

[3D Model](#) [Product Specification PS-502443-001 \(PDF\)](#)  
[Drawing \(PDF\)](#) [RoHS Certificate of Compliance \(PDF\)](#)

**General**

Product Family [Crimp Housings](#)  
 Series [502439](#)  
 Overview [klikmate wireto board connectors](#)  
 Product Name [CLIK-Mate™](#)

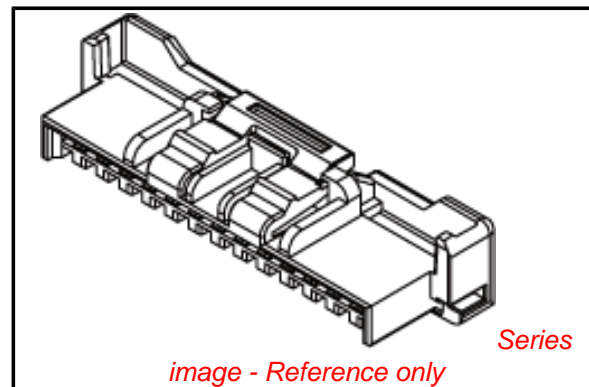
**Physical**

Breakaway No  
 Circuits (maximum) 5  
 Color - Resin White  
 Gender Plug  
 Glow-Wire Compliant No  
 Keying to Mating Part Yes  
 Lock to Mating Part Yes  
 Number of Rows 1  
 Packaging Type Bag  
 Panel Mount No  
 Pitch - Mating Interface (in) 0.079 In  
 Pitch - Mating Interface (mm) 2.00 mm  
 Polarized to Mating Part Yes  
 Stackable No  
 Temperature Range - Operating -25°C to +85°C

**Material Info**

**Reference - Drawing Numbers**

Application Specification [AS-502439-001](#), [AS-502439-002](#)  
 Product Specification [PS-502443-001](#), [RPS-502443-001](#), [RPS-502443-002](#),  
[RPS-502443-007](#), [RPS-502494-001](#)  
 Sales Drawing [SD-502439-002](#)



*image - Reference only*

**EU RoHS**

**ELV and RoHS  
 Compliant**  
**REACH SVHC  
 Contains SVHC: No**  
**Halogen-Free  
 Status  
 Not Reviewed**

**China RoHS**



**Need more information on product  
 environmental compliance?**

Email [productcompliance@molex.com](mailto:productcompliance@molex.com)  
 For a multiple part number RoHS Certificate of  
 Compliance, [click here](#)

Please visit the [Contact Us](#) section for any  
 non-product compliance questions.

**Search Parts in this Series**

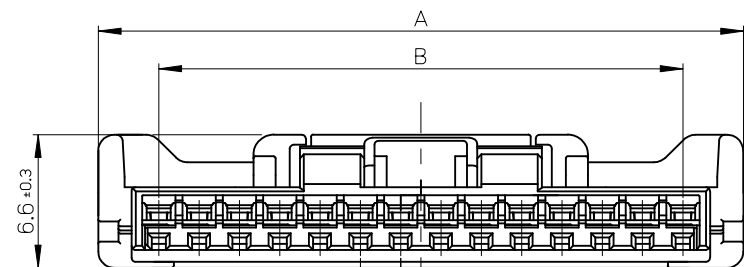
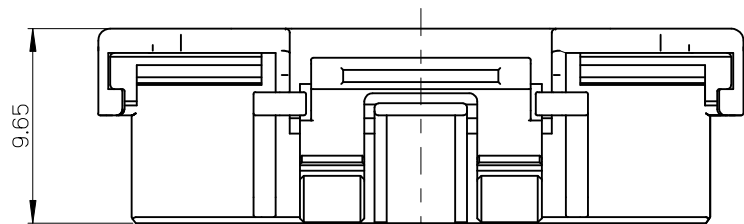
[502439Series](#)

**Mates With**

[502443](#) PCB Receptacle Vertical . [502494](#)  
 PCB Receptacle Right Angle

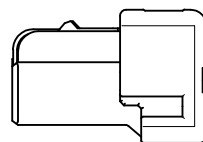
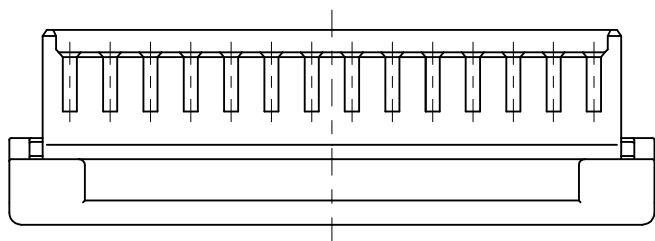
**Use With**

[502438](#) Crimp Terminal

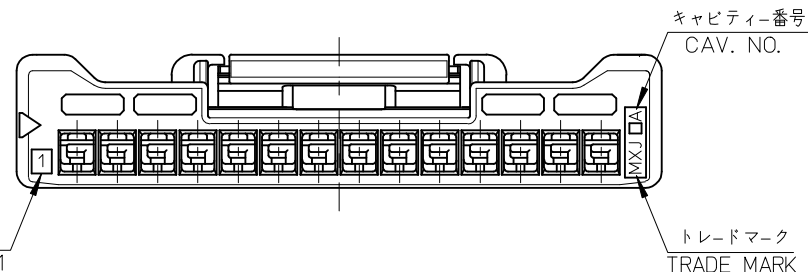


2  
PITCH

1



回路番号1  
CKT. NO. 1



NOTES

- 適合ターミナル : 502438-0\*00  
APPLICABLE TARMINAL : 502438-0\*00
- △ 嵌合相手 : 502443-\*\*70  
MATE WITH : 502443-\*\*70
- 極数 / 2 = 偶数に適用。  
APPLY FOR CKT. SIZE / 2 = EVEN.
- 本製品のプラスチック部に黒点等が確認される場合や色合いが異なる場合がありますが、製品性能に影響はありません。  
THERE IS NO INFLUENCE IN THE PRODUCT PERFORMANCE THOUGH THE BLACK SPOT ETC. MIGHT BE CONFIRMED TO THE PLASTIC PART OF THIS PRODUCT AND THE SHADE MIGHT BE DIFFERENT.
- アプリケーション仕様書 (コネクタ取扱説明書) : AS-502439-001  
APPLICATION SPECIFICATIONS (CONNECTOR MANUAL) : AS-502439-001
- 製品仕様書 : PS-502443-001  
Product specification : PS-502443-001

28	34	502439-1500	15
26	32	502439-1400	14
24	30	502439-1300	13
22	28	502439-1200	12
14	20	502439-0800	8
10	16	502439-0600	6
8	14	502439-0500	5
6	12	502439-0400	4
B	A	製品番号 MATERIAL NO.	極数 CKT. NO.

REVISED EC NO: J2010-0767 2009/10/20 DRWN: NITO 2009/10/20 CHKD: KASAKAWA 2009/10/21 APPR: NUKITA 2009/10/21	GENERAL TOLERANCES (UNLESS SPECIFIED)		DIMENSION STYLE MM ONLY		SCALE 4:1	DESIGN UNITS METRIC	THIRD ANGLE PROJECTION	
	10 UNDER	±0.2	DRAWN BY NITO	DATE 2006/12/12	TITLE 2.0 W/B CONN. SINGLE PLUG HSG			
	10 OVER 30 UNDER	±0.25	CHECKED BY KASAKAWA	DATE 2006/12/12				
	30 OVER	±0.3	APPROVED BY YOITO	DATE 2006/12/12	MOLEX INCORPORATED DOCUMENT NO. SD-502439-002 SHEET NO. 1 OF 1			
ANGULAR ±3 °		MATERIAL NO. SEE TABLE						
DRAFT WHERE APPLICABLE MUST REMAIN WITHIN DIMENSIONS		SIZE A3		THIS DRAWING CONTAINS INFORMATION THAT IS PROPRIETARY TO MOLEX INCORPORATED AND SHOULD NOT BE USED WITHOUT WRITTEN PERMISSION				

部品 PART	材質 MATERIAL
ハウジング HOUSING	ポリブチレンテレフタレート UL94V-0 色: 白 POLYBUTYLENE TEREPHTHALATE UL94V-0 COLOR: WHITE