

PLEASE CHECK WWW.MOLEX.COM FOR LATEST PART INFORMATION

Part Number: [0857190003](#)
Status: **Active**
Overview: [magnetic modular jacks](#)
Description: HyperJack™ 1000 PoE+ PSE Integrated Connector Module, 2x6, Without LEDs

Documents:

[3D Model](#) [RoHS Certificate of Compliance \(PDF\)](#)
[Drawing \(PDF\)](#)

General

Product Family	Modular Jacks/Plugs
Series	85719
Component Type	PCB Jack
Magnetic	Yes
More Detailed Tech Information	*For product specifications please contact your Molex sales representative
Overview	magnetic modular jacks
Performance Category	5e
Power over Ethernet (PoE)	PoE+
Product Name	HyperJack™PoE

Physical

Boot Color	N/A
Color - Resin	Black
Durability (mating cycles max)	750
Inverted / Top Latch	Yes
Lightpipes/LEDs	None
Material - Metal	Brass, Copper Alloy
Material - Plating Mating	Gold
Material - Plating Termination	Tin
Material - Resin	Thermoplastic Polyurethane
Orientation	Right Angle (Side Entry)
PCB Locator	Yes
PCB Retention	Yes
Packaging Type	Tray
Pitch - Mating Interface (in)	0.040 In
Pitch - Mating Interface (mm)	1.02 mm
Pitch - Term. Interface (in)	0.040 In
Pitch - Term. Interface (mm)	1.02 mm
Plating min: Mating (µin)	30
Plating min: Mating (µm)	0.76
Plating min: Termination (µin)	50.8
Plating min: Termination (µm)	1.27
Ports	12
Positions / Loaded Contacts	8/8
Surface Mount Compatible (SMC)	No
Temperature Range - Operating	0°C to +70°C
Termination Interface: Style	Through Hole
Waterproof / Dustproof	No
Wire/Cable Type	N/A

Electrical

Current - Maximum per Contact	1.5A
Grounding to PCB	Yes
Grounding to Panel	Yes
Shielded	Yes

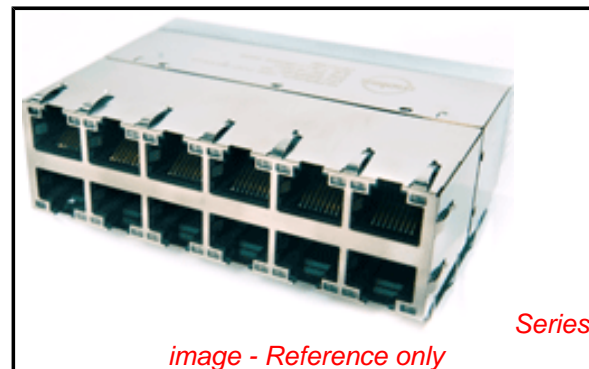


image - Reference only

EU RoHS

**ELV and RoHS
Compliant
REACH SVHC
Not Reviewed
Halogen-Free
Status
Not Reviewed**

China RoHS



Need more information on product environmental compliance?

Email productcompliance@molex.com
 For a multiple part number RoHS Certificate of Compliance, [click here](#)

Please visit the [Contact Us](#) section for any non-product compliance questions.

Search Parts in this Series

[85719Series](#)

Mates With

Plugs according to IEC 60603-7

Voltage - Maximum

48V

Material Info

Reference - Drawing Numbers

Product Specification

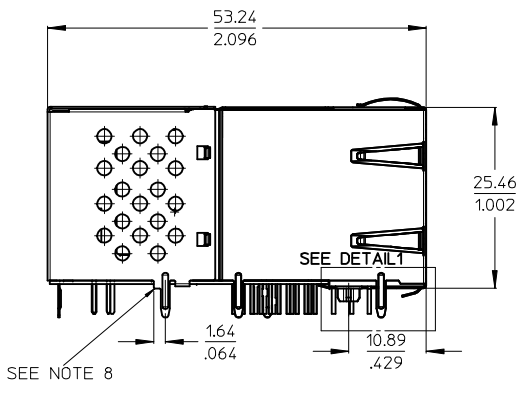
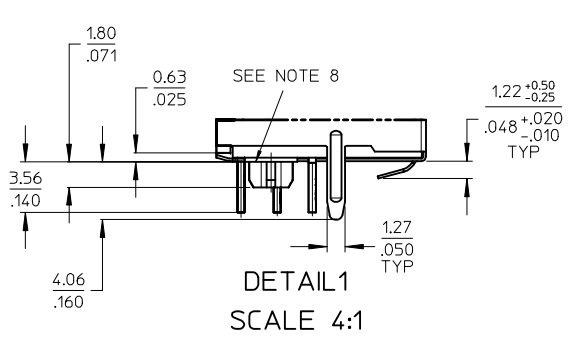
RPS-85719-001

Sales Drawing

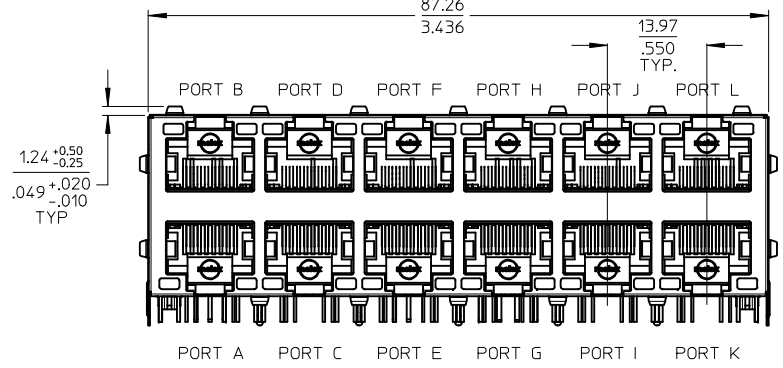
SD-85719-101

This document was generated on 06/08/2010

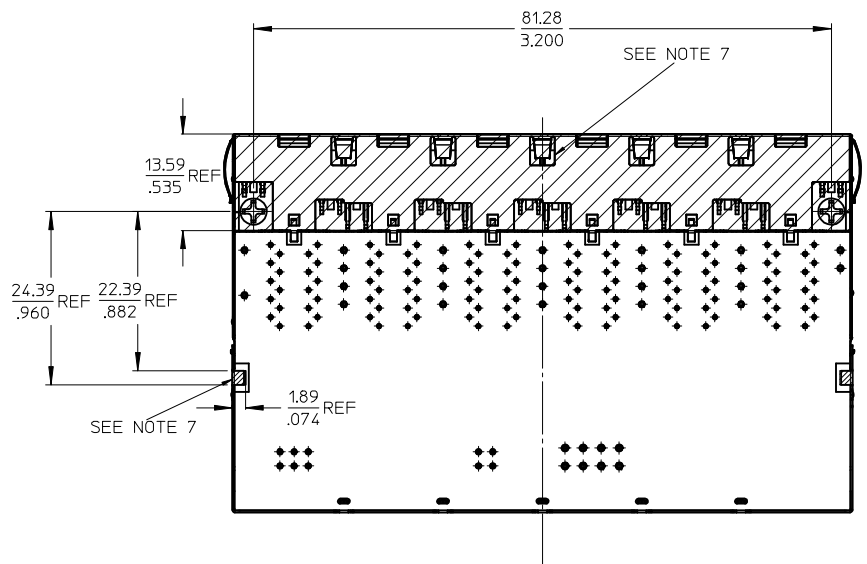
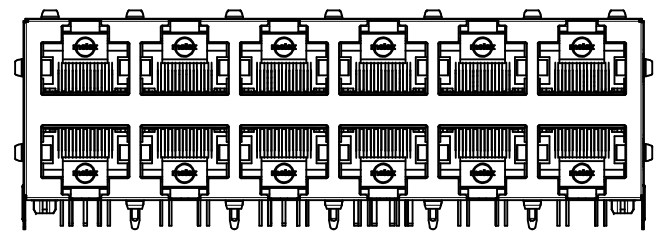
PLEASE CHECK WWW.MOLEX.COM FOR LATEST PART INFORMATION



FRONT VIEW HYPERJACK 1000 POE+ ICM LED VERSION P/N 85719-0101



FRONT VIEW HYPERJACK 1000 POE+ ICM NON LED VERSION P/N 85719-0003



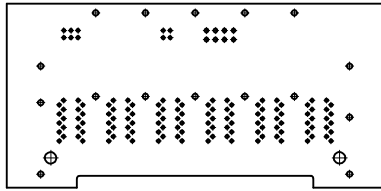
P / N	VERSION
85719-0101	LED VERSION
85719-0003	NON LED VERSION

- NOTES:
- 1 - SHIELD MATERIAL: BRASS; PLATING: Ni PRE-PLATING
 - 2 - PLASTIC MATERIAL: NAGASE-D-VALOX 420 SED BLACK, 30%GR, UL 94V-0\5V (PBT)
 - 3 - TERMINALS MATERIAL: COPPER ALLOY
RJ45 CONTACT PLATING: 0.764µm GOLD OVER 1.94µm Ni
SOLDER TERMINALS: 34µm Sn
 - 4 - JACK TO BE MATED WITH FCC 68.5 PLUGS / IEC 60603-7 PLUGS
 - 5 - PRODUCT SPECIFICATION: PS-85719-001
 - 6 - PACKAGING SPECIFICATION: PK-85719-101
 - 7 - TRACES WITHOUT INSULATION NOT ALLOWED IN THE DASHED AREAS.
(TO AVOID SHORTS TO SHIELD)
 - 8 - STAND OFF TO SYSTEM BOARD

ENTER DESCRIPTION EC NO: MG2009-0084 DRWN: JBADER 2009/08/11 CHKD: MMANGARUDOV 2009/08/11 APPR: SSTEINKE 2009/08/20	QUALITY SYMBOLS ▽=0 ▽=0	GENERAL TOLERANCES (UNLESS SPECIFIED) <table border="1"> <thead> <tr> <th></th> <th>mm</th> <th>INCH</th> </tr> </thead> <tbody> <tr> <td>4 PLACES</td> <td>± .01</td> <td>± .001</td> </tr> <tr> <td>3 PLACES</td> <td>± .02</td> <td>± .002</td> </tr> <tr> <td>2 PLACES</td> <td>± 0.25</td> <td>± .01</td> </tr> <tr> <td>1 PLACE</td> <td>± 0.5</td> <td>± .02</td> </tr> </tbody> </table> ANGULAR ± 1°		mm	INCH	4 PLACES	± .01	± .001	3 PLACES	± .02	± .002	2 PLACES	± 0.25	± .01	1 PLACE	± 0.5	± .02	DIMENSION STYLE MM/IN	SCALE 2:1	DESIGN UNITS METRIC	THIRD ANGLE PROJECTION
				mm	INCH																
4 PLACES	± .01	± .001																			
3 PLACES	± .02	± .002																			
2 PLACES	± 0.25	± .01																			
1 PLACE	± 0.5	± .02																			
DRAWN BY: JBADER DATE: 2009/03/11 CHECKED BY: MMANGARUDOV DATE: 2009/03/11 APPROVED BY: SSTEINKE DATE: 2009/03/11 MATERIAL NO.: SEE BOM	TITLE HYPERJACK 1000 POE+ INTEGRATED CONNECTOR MODULE 2X6	MOLEX INCORPORATED	DOCUMENT NO.: SD-85719-101	SHEET NO.: 1 OF 3																	

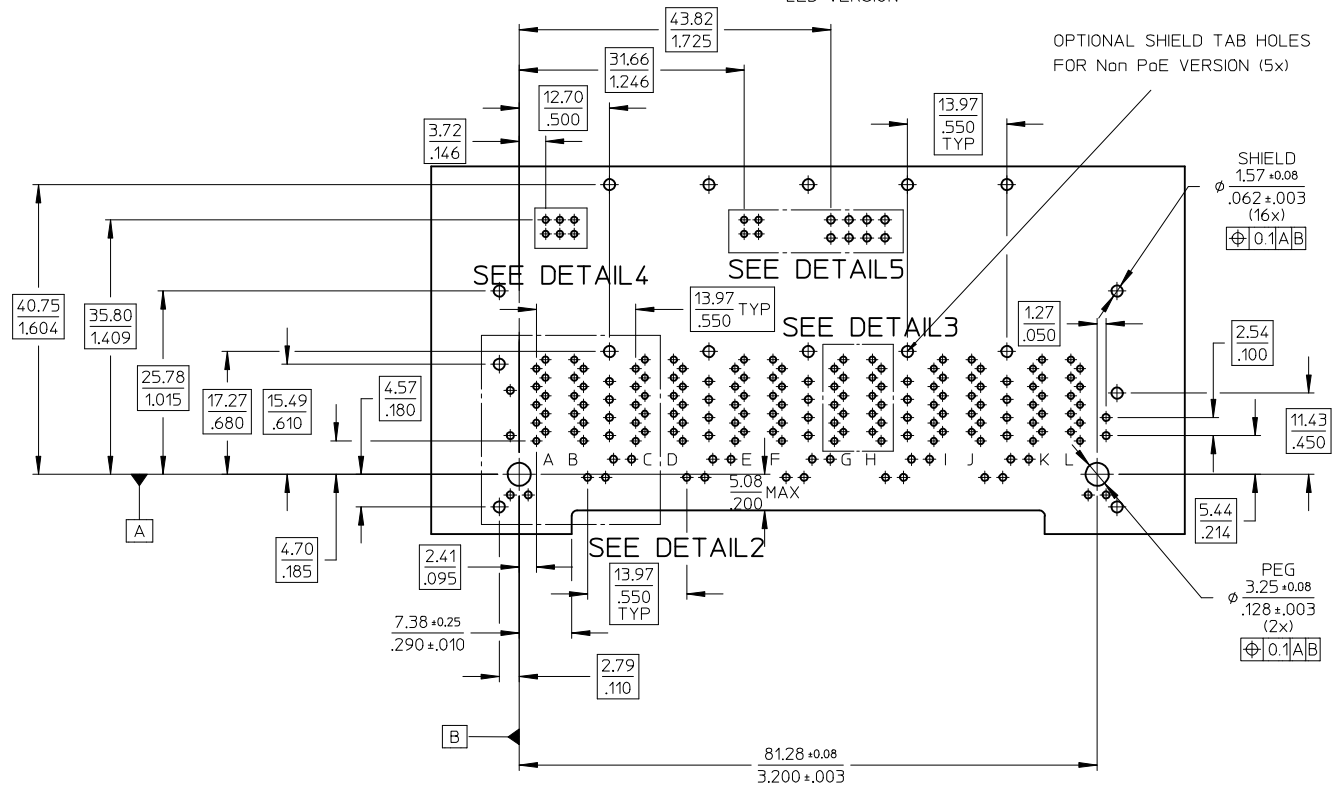
THIS DRAWING CONTAINS INFORMATION THAT IS PROPRIETARY TO MOLEX INCORPORATED AND SHOULD NOT BE USED WITHOUT WRITTEN PERMISSION

FOOT PRINT OUT FOR NON LED VERSION (85719-0003)
MISSING DIMENSIONS SEE LED VERSION



SCALE 1:1

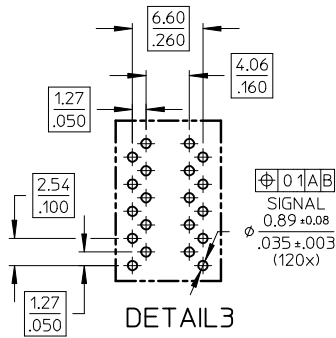
FOOT PRINT OUT FOR
LED VERSION



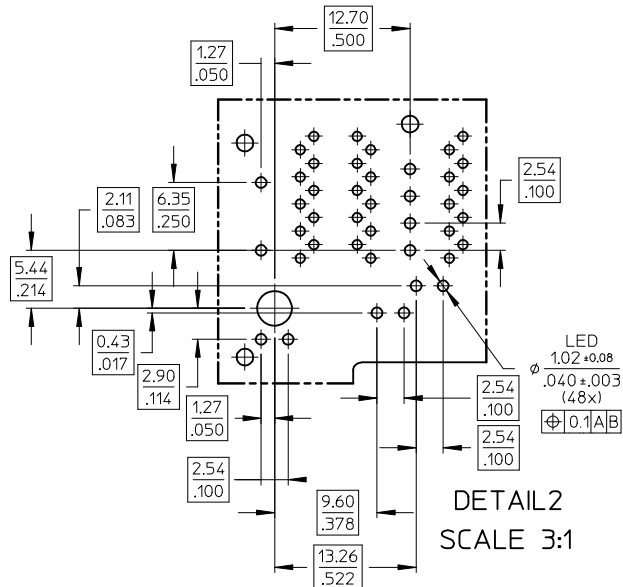
OPTIONAL SHIELD TAB HOLES
FOR Non PoE VERSION (5x)

SHIELD
1.57 ±0.08
∅ .062 ±0.003 (16x)
∅ 0.1[A]B

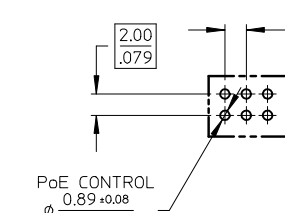
PEG
3.25 ±0.08
∅ .128 ±0.003 (2x)
∅ 0.1[A]B



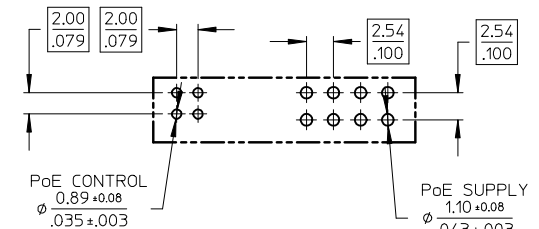
DETAIL3
SCALE 3:1



DETAIL2
SCALE 3:1



DETAIL4
SCALE 3:1



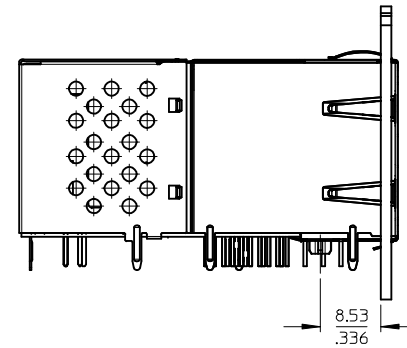
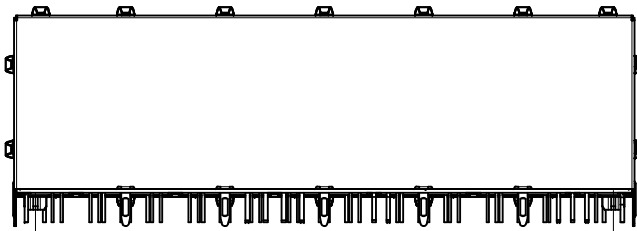
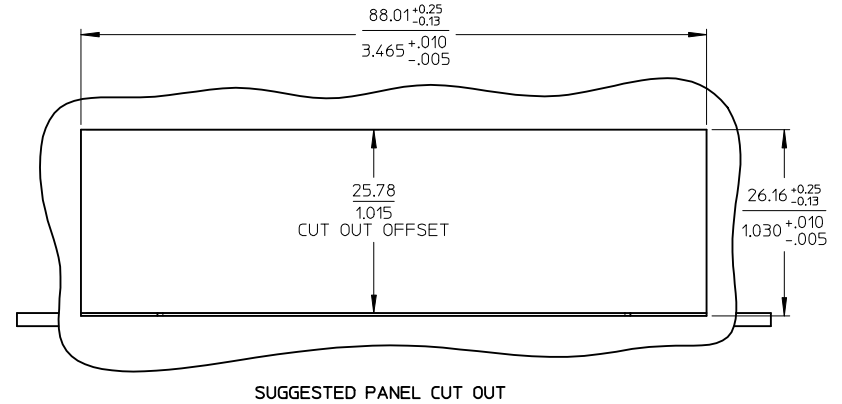
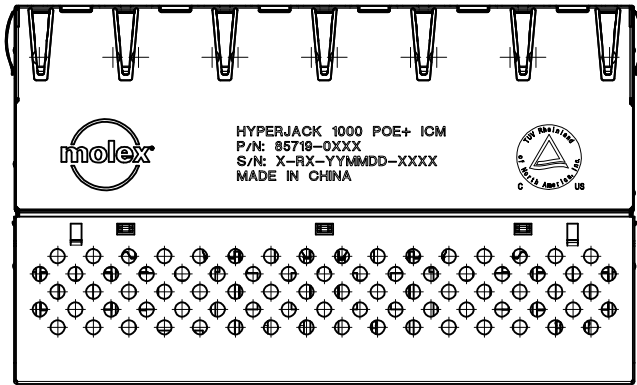
DETAIL5
SCALE 3:1

ENTER DESCRIPTION EC NO: M2009-0084 DRWN: JBADER 2009/08/11 CHKD: MMANGARUDOV 2009/08/11 APPR: SSTEINKE 2009/08/20	QUALITY SYMBOLS ▽=0 ▽=0	GENERAL TOLERANCES (UNLESS SPECIFIED)		DIMENSION STYLE MM/IN	SCALE 2:1	DESIGN UNITS METRIC	THIRD ANGLE PROJECTION
		4 PLACES ± --- ± --- 3 PLACES ± --- ± .01 2 PLACES ± .25 ± .02 1 PLACE ± 0.5 ± --- ANGULAR ± 1°	DRAWN BY JBADER 2009/03/11	DATE 2009/03/11	TITLE HYPERJACK 1000 POE+ INTEGRATED CONNECTOR MODULE 2X6	MOLEX INCORPORATED	SHEET NO. 2 OF 3
DRAFT WHERE APPLICABLE MUST REMAIN WITHIN DIMENSIONS	SEE SHEET 1	APPROVED BY SSTEINKE 2009/03/11	DATE 2009/03/11	MATERIAL NO. SD-85719-101	DOCUMENT NO.	INCORPORATED AND SHOULD NOT BE USED WITHOUT WRITTEN PERMISSION	

PRINTING
LED VERSION
HYPERJACK 1000 POE+ ICM
P/N: 85719-0101
S/N: X-RX-YYMMDD-XXXX
MADE IN CHINA

PRINTING
NON LED VERSION
HYPERJACK 1000 POE+ ICM
P/N: 85719-0003
S/N: X-RX-YYMMDD-XXXX
MADE IN CHINA

PRINTING



- NOTES:
- 1 - PRINTING MARKED BY LASER
 - 2 - INSCRIPTION:
 - 1st LINE: PART NAME
 - 2nd LINE: PART NUMBER
 - 3rd LINE: SERIES NUMBER -> MANUFACTURER ID - CONNECTOR REVISION - DATE CODE (YEAR, MONTH, DAY) - CONSECUTIVE NUMBER
 - 4th LINE: COUNTRY OF ORIGIN
 - 3 - TUV LOGO

ENTER DESCRIPTION EC NO: MG2009-0084 DRWN: JBADER 2009/08/11 CHKD: MMANGARUDOV 2009/08/11 APPR: SSTE INKE 2009/08/20	QUALITY SYMBOLS ▽=0 ▽=0	GENERAL TOLERANCES (UNLESS SPECIFIED)		DIMENSION STYLE MM/IN		SCALE 2:1	DESIGN UNITS METRIC	THIRD ANGLE PROJECTION	
		4 PLACES ± .01	± .01	3 PLACES ± .01	± .01	2 PLACES ± 0.25	± .02	1 PLACE ± 0.5	± .05
1	DESCRIPTION	DRAFT WHERE APPLICABLE MUST REMAIN WITHIN DIMENSIONS		SEE SHEET 1		TITLE HYPERJACK 1000 POE+ INTEGRATED CONNECTOR MODULE 2X6		MATERIAL NO. SD-85719-101	
				DRAWN BY JBADER		DATE 2009/03/11	DOCUMENT NO.		
				CHECKED BY MMANGARUDOV		DATE 2009/03/11	SHEET NO. 3 OF 3		
				APPROVED BY SSTE INKE		DATE 2009/03/11	MATERIAL NO. SD-85719-101		
				SIZE A2		THIS DRAWING CONTAINS INFORMATION THAT IS PROPRIETARY TO MOLEX INCORPORATED AND SHOULD NOT BE USED WITHOUT WRITTEN PERMISSION			