

PLEASE CHECK WWW.MOLEX.COM FOR LATEST PART INFORMATION

Part Number: [0673511804](#)

Status: **Active**

Description: MicroCross™ DVI-I Digital/Analog Visual Interface, Panel Mount, Through Hole, Right Angle, PCB Extended Height Receptacle, Gold (Au) Flash, Polyester (PBT), Screw Hole, 4-40 Thread, 2.34mm (.092") PC Tail Length, 29 Circuits, Lead Free

Documents:

[3D Model](#)

[Drawing \(PDF\)](#)

[RoHS Certificate of Compliance \(PDF\)](#)

General

| | |
|----------------|---|
| Product Family | I/O Connectors |
| Series | 67351 |
| Application | Wire-to-Board |
| Comments | DDWG (Digital Display Working Group) Standard |
| Component Type | Receptacle |
| Product Name | MicroCross™DVI |
| Type | N/A |

Physical

| | |
|--------------------------------|------------------------------|
| Boot Color | N/A |
| Circuits (Loaded) | 29 |
| Circuits (maximum) | 29 |
| Color - Resin | Ivory, Natural |
| Durability (mating cycles max) | 100 |
| Gender | Receptacle |
| Keying to Mating Part | Yes |
| Lock to Mating Part | Yes |
| Material - Metal | Copper Alloy |
| Material - Plating Mating | Gold |
| Material - Plating Termination | Tin |
| Material - Resin | Polyester |
| Number of Rows | 3 |
| Orientation | Right Angle |
| PC Tail Length (in) | 0.092 In |
| PC Tail Length (mm) | 2.34 mm |
| PCB Locator | Yes |
| PCB Retention | Yes |
| Packaging Type | Tray |
| Panel Mount | Yes |
| Pitch - Mating Interface (in) | 0.050 In, 0.075 In, 0.124 In |
| Pitch - Mating Interface (mm) | 1.27 mm, 1.90 mm, 3.17 mm |
| Pitch - Term. Interface (in) | 0.050 In, 0.075 In, 0.124 In |
| Pitch - Term. Interface (mm) | 1.27 mm, 1.90 mm, 3.17 mm |
| Plating min: Mating (µin) | 2, 30 |
| Plating min: Mating (µm) | 0.05, 0.75 |
| Plating min: Termination (µin) | 150 |
| Plating min: Termination (µm) | 3.75 |
| Polarized to Mating Part | Yes |
| Polarized to PCB | Yes |
| Ports | 1 |
| Surface Mount Compatible (SMC) | No |
| Temperature Range - Operating | -20°C to +85°C |
| Termination Interface: Style | Through Hole |
| Waterproof / Dustproof | No |
| Wire Size AWG | N/A |

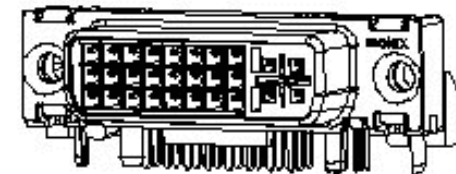


image - Reference only

Series

EU RoHS

**ELV and RoHS
Compliant**

REACH SVHC

Not Reviewed

Halogen-Free

Status

Not Reviewed

China RoHS



**Need more information on product
environmental compliance?**

Email productcompliance@molex.com
For a multiple part number RoHS Certificate of
Compliance, [click here](#)

Please visit the [Contact Us](#) section for any
non-product compliance questions.

Search Parts in this Series

[67351Series](#)

Mates With

[74323](#) MicroCross™ DVI Plug Components.
[88741](#) MicroCross™ DVI Cable Assemblies

Use With

[71781](#) Panel Mount Hex Screw Kit

Electrical

| | |
|-------------------------------|--------------|
| Current - Maximum per Contact | 3A |
| Grounding to Panel | Yes |
| Shield Type | Full Shield |
| Shielded | Yes |
| Voltage - Maximum | 40V AC (RMS) |

Material Info**Reference - Drawing Numbers**

| | |
|-------------------------|--------------|
| Packaging Specification | PK-74320-010 |
| Sales Drawing | SD-67351-047 |
| Test Summary | TS-67351-002 |

This document was generated on 06/07/2010

PLEASE CHECK WWW.MOLEX.COM FOR LATEST PART INFORMATION

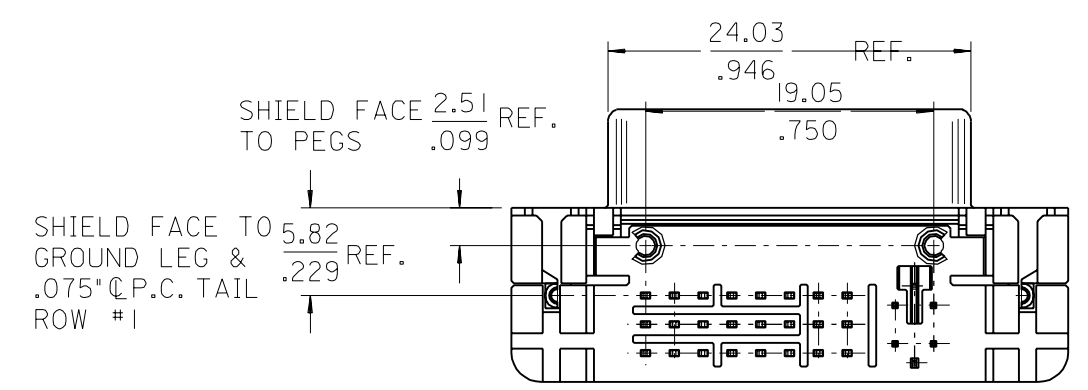
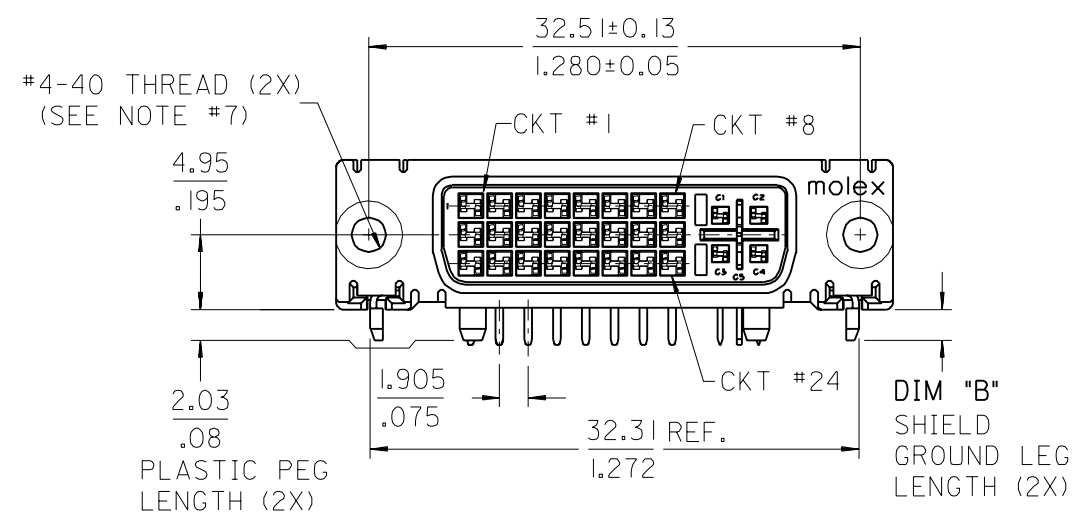
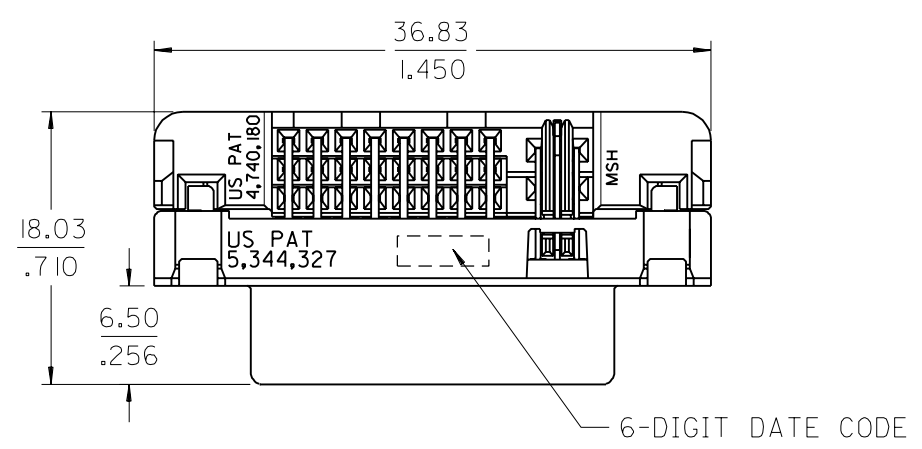
8
7
6
5
4
3
2
1

ENG. NO SEE CHART

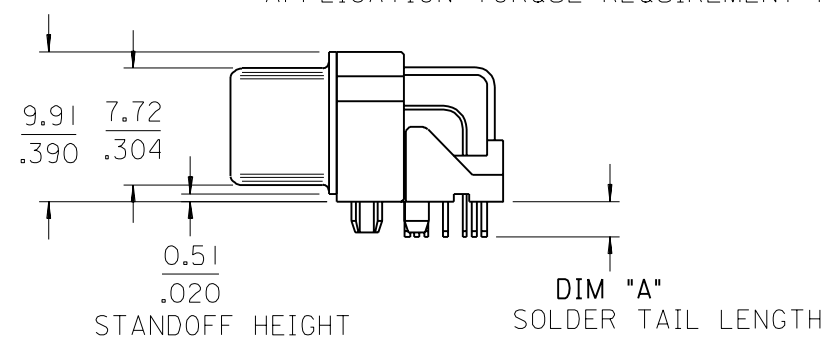
EDP NO.

SIMILAR ITEM

CADFILE NO. S67351047.S01



- NOTES:
- MATERIALS:
SHIELD -- DEEP DRAW STEEL.
HOUSING -- GLASS FILLED POLYMER, NATURAL (IVORY WHITE), UL 94v-0.
TAIL ALIGNER -- GLASS FILLED POLYMER, NATURAL (IVORY WHITE), UL 94v-0.
CONTACTS -- COPPER ALLOY.
MICROCROSS GROUND -- COPPER ALLOY.
 - PLATING: SEE SHEET 2
 - PRODUCT CONFORMS TO MOLEX PRODUCT SPECIFICATION NUMBER PS-74320-001. REFER TO THIS SPECIFICATION FOR SPACING ON A P.C.B. OF TWO OR MORE CONNECTORS WHEN USING A CABLE OR AN ADAPTER ASSEMBLY.
 - SEE SHEET 2 FOR RECOMMENDED PANEL CUT-OUT AND P.C.B. LAYOUT.
 - PARTS WILL BE PACKAGED IN TRAYS PER PK-74320-010.
 - PRODUCT CONFORMS TO DDWG DVI SPECIFICATION. REFER TO THIS SPECIFICATION FOR CONNECTOR MATING DIMENSIONS.
 - RECOMMENDED MOUNTING HARDWARE IS MOLEX P/N 88780-6066 OR 82007-0300 OR 71781-0001 REFER TO PRODUCT SPECIFICATION NUMBER PS-74320-001 FOR THE APPLICATION TORQUE REQUIREMENT FOR ASSEMBLING MOUNTING HARDWARE.



DO NOT SCALE DRAWING

| PART NUMBER | PLATING OPTION | DIM "A" | DIM "B" |
|-------------|----------------|-----------|-----------|
| 67351-1800 | 1 | 2.34/.092 | 2.03±0.51 |
| 67351-1801 | 1 | 1.27/.050 | .080±.020 |
| 67351-1803 | 1 | 3.12/.123 | 2.79/.110 |
| 67351-1804 | 2 | 2.34/.092 | 2.03±0.51 |
| 67351-1805 | 2 | 1.27/.050 | .080±.020 |
| 67351-1806 | 2 | 2.79/.110 | 2.79/.110 |
| 67351-1807 | 2 | 3.12/.123 | 2.79/.110 |

NEW RELEASE

EC NO.
DRWN: TAZHANG '03/01/13
CHK:
APPR:

A

QUALITY SYMBOLS

MAJOR = 0

CRITICAL = 0

DESCRIPTION

REV

GENERAL TOLERANCES: (UNLESS SPECIFIED)

| | mm | INCH |
|----------|--------|--------|
| 4 PLACES | ± .--- | ±. --- |
| 3 PLACES | ± .--- | ±. --- |
| 2 PLACES | ±0.25 | ±.010 |
| 1 PLACE | ±0.25 | ±.010 |

ANGULAR: ±3°

DRAFT WHERE APPLICABLE MUST REMAIN WITHIN DIMENSIONS

SCALE 2:1

DESIGN UNITS mm INCH

THIRD ANGLE PROJECTION

DRAWN BY & DATE TAZHANG 03/01/13

CHECKED BY & DATE

APPROVED BY & DATE

CAD FILENAME S67351047.S01

MATERIAL NO. SEE CHART

DRAWING NO. SD-67351-047

SHEET NO. 1 OF 2

THIS DRAWING CONTAINS INFORMATION THAT IS PROPRIETARY TO MOLEX INCORPORATED AND SHOULD NOT BE USED WITHOUT WRITTEN PERMISSION.

DIMENSIONS: mm INCH mm ONLY

SHT REV

REVISE ON CAD ONLY

TITLE: DVI - I RIGHT ANGLE RECEPTACLE CONNECTOR LEAD FREE PLATING

MOLEX MOLEX INCORPORATED

SIZE A3

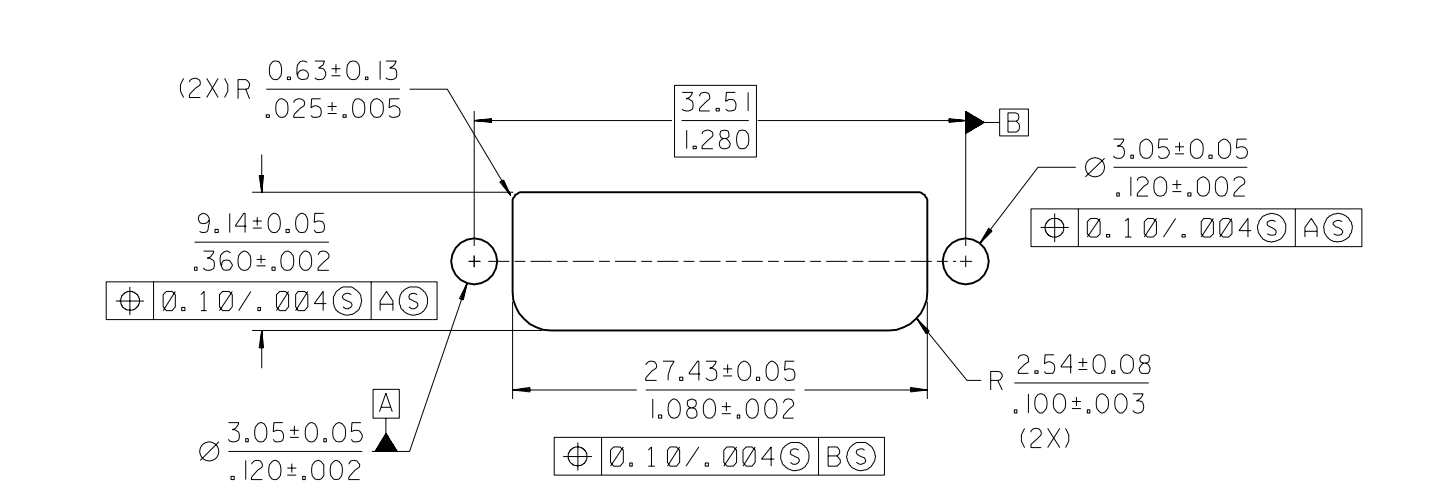
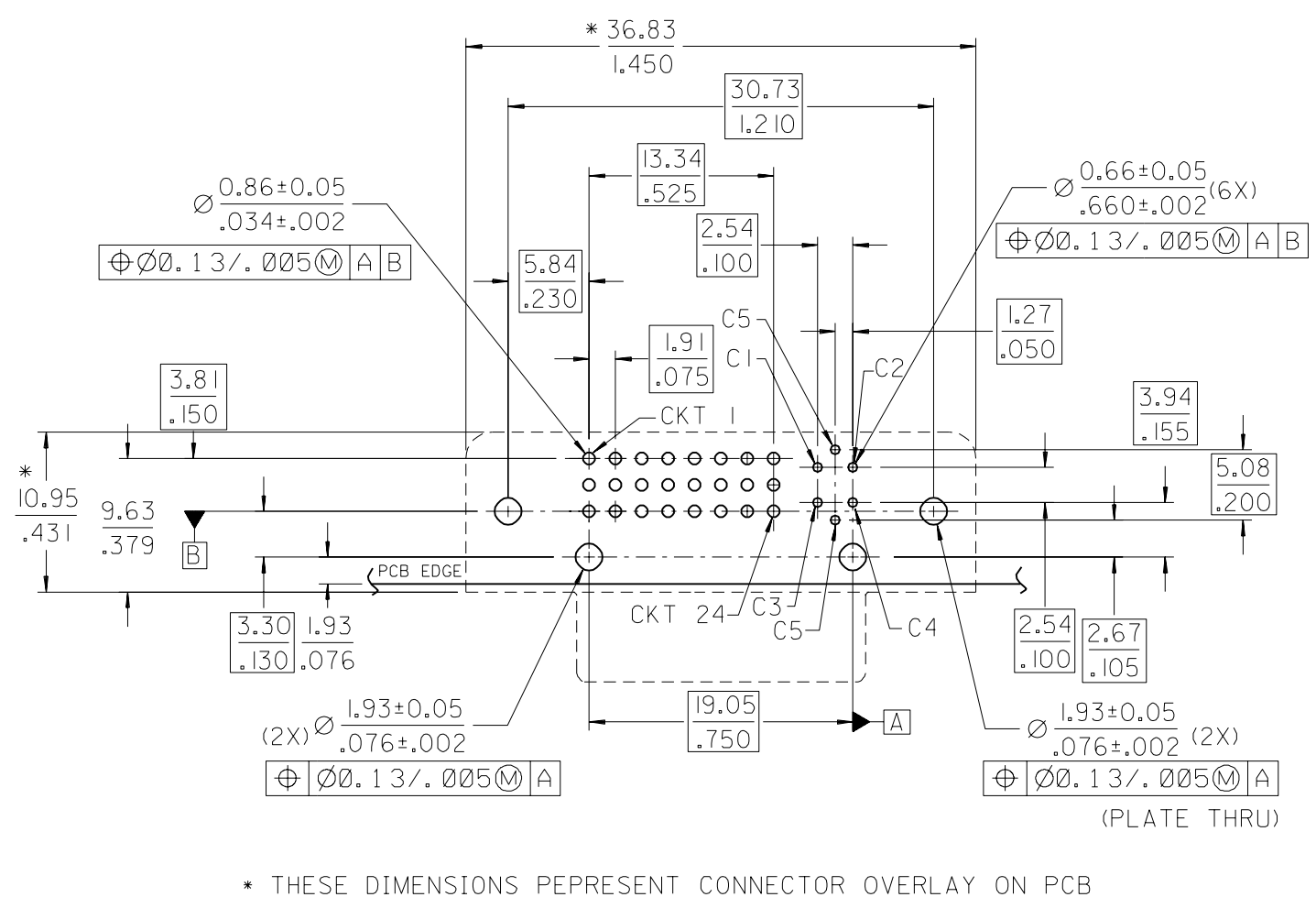
ENG. NO SEE CHART

EDP NO.

SIMILAR ITEM

CADFILE NO. S67351047.S02

DO NOT SCALE DRAWING



PLATING OPTIONS:

PLATING OPTION #1:

- OUTER SHIELD -- 150u"/(3.75um) MIN. BRIGHT TIN OVER 50u"/(1.27um) MIN. NICKEL OVER COPPER FLASH.
- .075"/(1.91mm) CONTACTS -- 30u"/(0.75um) MIN. SELECT GOLD AND 100u"/(2.50um) MIN. SELECT TIN OVER 50u"/(1.27um) MIN. NICKEL OVERALL.
- .100"/(2.54mm) CONTACTS -- 30u"/(0.75um) MIN. SELECT GOLD AND 100u"/(2.50um) MIN. SELECT TIN. OVER 50u"/(1.27um) MIN. NICKEL OVERALL.
- MICROCROSS GROUND -- 30u"/(0.75um) MIN. SELECT GOLD AND 100u"/(2.50um) MIN. SELECT TIN OVER 50u"/(1.27um) MIN. NICKEL OVERALL.

PLATING OPTION #2:

- OUTER SHIELD -- 150u"/(3.75um) MIN. BRIGHT TIN OVER 50u"/(1.27um) MIN. NICKEL OVER COPPER FLASH.
- .075"/(1.91mm) CONTACTS -- SELECT GOLD FLASH AND 100u"/(2.50um) MIN. SELECT TIN OVER 50u"/(1.27um) MIN. NICKEL OVERALL.
- .100"/(2.54mm) CONTACTS -- SELECT GOLD FLASH AND 100u"/(2.50um) MIN. SELECT TIN. OVER 50u"/(1.27um) MIN. NICKEL OVERALL.
- MICROCROSS GROUND -- 30u"/(0.75um) MIN. SELECT GOLD AND 100u"/(2.50um) MIN. SELECT TIN OVER 50u"/(1.27um) MIN. NICKEL OVERALL.

RECOMMEND PANEL CUT-OUT
PANEL THICKNESS: 0.76/.030 - 1.02/.040

| | | | |
|-------------|------------------------|-------------|-----------------|
| NEW RELEASE | EC NO. | DESCRIPTION | QUALITY SYMBOLS |
| | DRWN: TAZHANG 03/01/13 | | MAJOR = 0 |
| A | CH'K: | REV | CRITICAL = 0 |
| | APPR: | | |

| | |
|--|--------|
| GENERAL TOLERANCES: (UNLESS SPECIFIED) | |
| mm | INCH |
| 4 PLACES ± .--- | ±. --- |
| 3 PLACES ± .--- | ±. --- |
| 2 PLACES ±0.25 | ±.010 |
| 1 PLACE ±0.25 | ±.010 |
| ANGULAR: ±3° | |
| DRAFT WHERE APPLICABLE MUST REMAIN WITHIN DIMENSIONS | |

| | |
|----------------------------------|---|
| SCALE 2:1 | DESIGN UNITS <input checked="" type="checkbox"/> mm <input type="checkbox"/> INCH |
| DRAWN BY & DATE TAZHANG 03/01/13 | |
| CHECKED BY & DATE | |
| APPROVED BY & DATE | |
| CAD FILENAME S67351047.S02 | |

| | | | |
|--|--------------------------|--------------------|---------|
| DIMENSIONS: <input checked="" type="checkbox"/> mm <input type="checkbox"/> INCH <input type="checkbox"/> mm ONLY | | SHT | REV |
| THIRD ANGLE PROJECTION | | REVISE ON CAD ONLY | |
| TITLE: DVI - I RIGHT ANGLE RECEPTACLE CONNECTOR LEAD FREE PLATING | | | |
| MOLEX INCORPORATED | | | |
| MATERIAL NO. SEE SHEET 1 | DRAWING NO. SD-67351-047 | SHEET NO. 2 OF 2 | |
| THIS DRAWING CONTAINS INFORMATION THAT IS PROPRIETARY TO MOLEX INCORPORATED AND SHOULD NOT BE USED WITHOUT WRITTEN PERMISSION. | | | SIZE A3 |