

**PLEASE CHECK WWW.MOLEX.COM FOR LATEST PART INFORMATION**

**Part Number:** [0673514006](#)  
**Status:** **Active**  
**Description:** MicroCross™ DVI-D Digital Visual Interface, PCB Receptacle, Glass-filled Polyester (PBT), Through Hole, Right Angle, Gold (Au) Flash, Jack Posts, 24 Circuits, Lead Free

**Documents:**

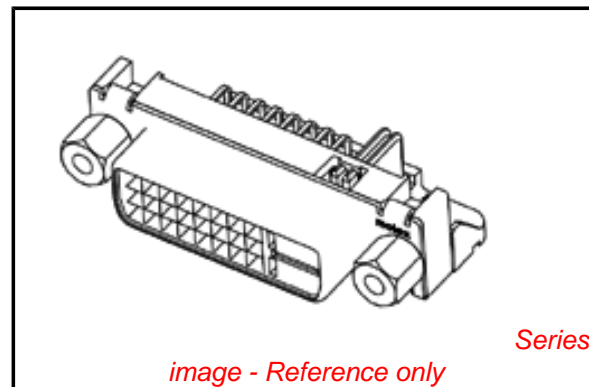
[3D Model](#) [Product Specification PS-74320-001 \(PDF\)](#)  
[Drawing \(PDF\)](#) [RoHS Certificate of Compliance \(PDF\)](#)

**General**

Product Family	I/O Connectors
Series	<a href="#">67351</a>
Application	Wire-to-Board
Comments	DDWG (Digital Display Working Group) Standard
Component Type	Receptacle
Product Name	MicroCross™ DVI
Type	N/A

**Physical**

Boot Color	N/A
Circuits (Loaded)	24
Circuits (maximum)	24
Color - Resin	Ivory, Natural
Durability (mating cycles max)	100
Gender	Receptacle
Keying to Mating Part	Yes
Lock to Mating Part	Yes
Material - Metal	Copper Alloy
Material - Plating Mating	Gold
Material - Plating Termination	Tin
Material - Resin	Polyester
Number of Rows	3
Orientation	Right Angle
PC Tail Length (in)	0.110 In
PC Tail Length (mm)	2.79 mm
PCB Locator	Yes
PCB Retention	Yes
Packaging Type	Tray
Panel Mount	Yes
Pitch - Mating Interface (in)	0.075 In
Pitch - Mating Interface (mm)	1.91 mm
Pitch - Term. Interface (in)	0.075 In
Pitch - Term. Interface (mm)	1.91 mm
Plating min: Mating (µin)	2
Plating min: Mating (µm)	0.05
Plating min: Termination (µin)	100
Plating min: Termination (µm)	2.50
Polarized to Mating Part	Yes
Polarized to PCB	Yes
Ports	1
Surface Mount Compatible (SMC)	No
Temperature Range - Operating	-20°C to +85°C
Termination Interface: Style	Through Hole
Waterproof / Dustproof	No
Wire Size AWG	N/A



*image - Reference only*

**EU RoHS**

**ELV and RoHS  
Compliant**  
**REACH SVHC**  
 Not Reviewed  
**Halogen-Free  
Status**

**China RoHS**



**Not Reviewed**

**Need more information on product  
environmental compliance?**

Email [productcompliance@molex.com](mailto:productcompliance@molex.com)  
 For a multiple part number RoHS Certificate of Compliance, [click here](#)

Please visit the [Contact Us](#) section for any non-product compliance questions.

**Search Parts in this Series**

[67351Series](#)

**Mates With**

[74323](#) MicroCross™ DVI Plug Components.  
[88741](#) MicroCross™ DVI Cable Assemblies

**Use With**

[71781](#) Panel Mount Hex Screw Kit

**Electrical**

Current - Maximum per Contact	3A
Grounding to Panel	Yes
Shield Type	Full Shield
Shielded	Yes
Voltage - Maximum	40V AC (RMS)

**Material Info****Reference - Drawing Numbers**

Packaging Specification	PK-74320-009, PK-74320-010
Product Specification	PS-74320-001
Sales Drawing	SD-67351-103

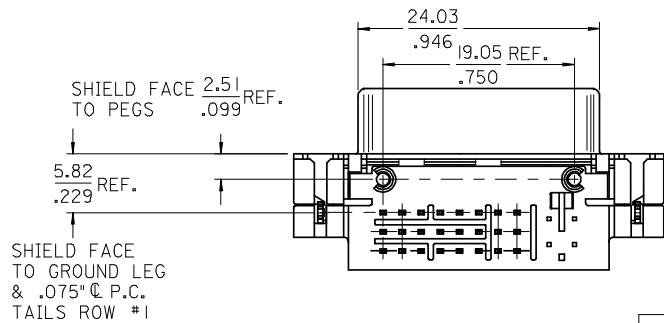
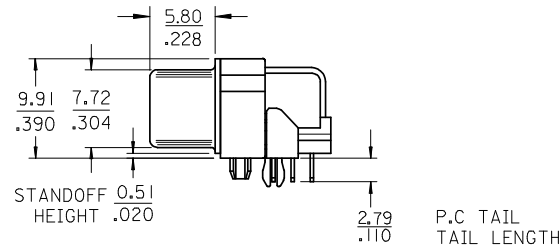
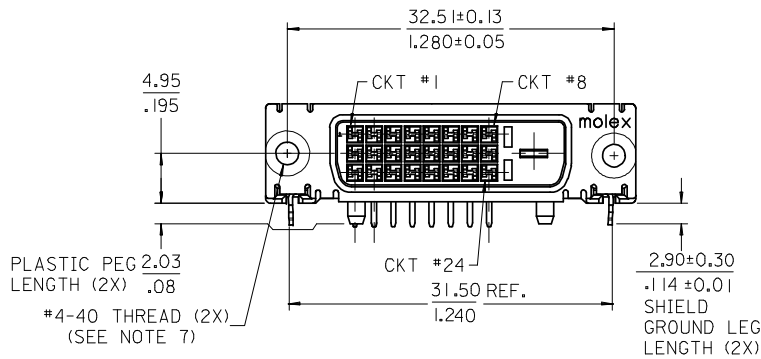
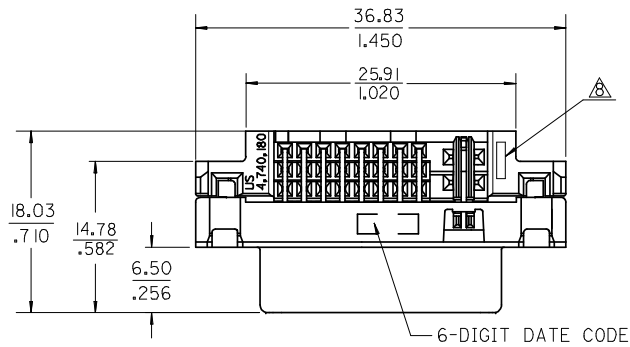
This document was generated on 06/07/2010

**PLEASE CHECK [WWW.MOLEX.COM](http://WWW.MOLEX.COM) FOR LATEST PART INFORMATION**

NOTES:

- MATERIALS:  
 SHIELD -- DEEP DRAW STEEL.  
 HOUSING -- GLASS FILLED POLYMER, NATURAL (IVORY WHITE), UL 94v-0.  
 TAIL ALIGNER -- GLASS FILLED POLYMER, NATURAL (IVORY WHITE), UL 94v-0.  
 CONTACTS -- COPPER ALLOY.  
 MICROCROSS GROUND -- COPPER ALLOY.  
 JACKPOSTS -- BRASS
- PLATING: SEE SHEET 2
- PRODUCT CONFORMS TO MOLEX PRODUCT SPECIFICATION NUMBER PS-74320-001. REFER TO THIS SPECIFICATION FOR SPACING ON A P.C.B. OF TWO OR MORE CONNECTORS WHEN USING A CABLE OR AN ADAPTER ASSEMBLY.
- SEE SHEET 2 FOR RECOMMENDED PANEL CUT-OUT AND P.C.B. LAYOUT.
- PARTS WILL BE PACKAGED IN TRAYS PER PK-74320-009.
- PRODUCT CONFORMS TO DDWG DVI SPECIFICATION. REFER TO THIS SPECIFICATION FOR CONNECTOR MATING DIMENSIONS.
- RECOMMENDED MOUNTING HARDWARE IS MOLEX P/N : 88780-6066 OR 82007-0300. OR 71781-0001. REFER TO PRODUCT SPECIFICATION NUMBER PS-74320-001 FOR THE APPLICATION TORQUE REQUIREMENT FOR ASSEMBLING MOUNTING HARDWARE.

△ CAVITY NO. AND MANUFACTURING PLANT CODE.



PART NUMBER	CONNECTOR	JACKPOST
67351-4006	67351-4026	47570-0002

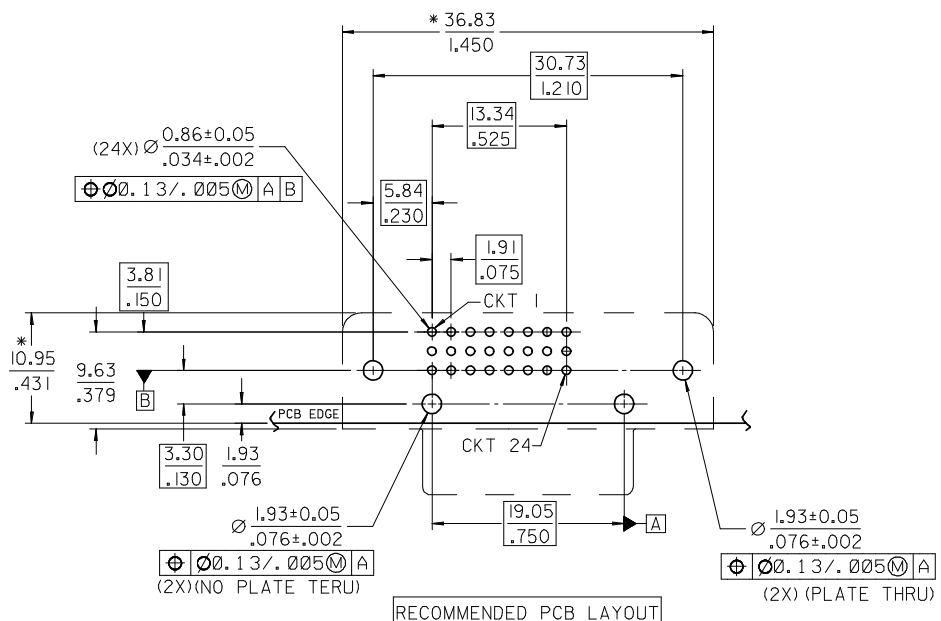
REV	DESCRIPTION
REVISE	EC NO: SH2008-0320
DRWN: XJSONG	2008/01/10
CHKD: JTIAN	2008/01/23
APPR: HWANG	2008/03/04

QUALITY SYMBOLS
▽=0
⊕=0

GENERAL TOLERANCES (UNLESS SPECIFIED)	DIMENSION STYLE	
	MM	INCH
4 PLACES ± --- ± ---	mm	INCH
3 PLACES ± --- ± .010		
2 PLACES ± 0.25 ± .010		
1 PLACE ± 0.25 ± .010		
ANGULAR ± 3 °		
DRAFT WHERE APPLICABLE MUST REMAIN WITHIN DIMENSIONS		

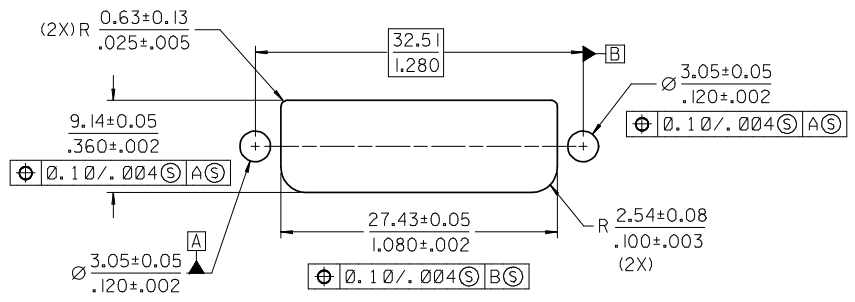
DRAWN BY		DATE
XJSONG		2007/04/02
CHECKED BY		DATE
JTIAN		2007/04/02
APPROVED BY		DATE
JNCHEN		2007/04/02
MATERIAL NO.		
67351-4006		

SCALE	DESIGN UNITS	THIRD ANGLE PROJECTION
2:1	INCH	⊕
TITLE		
DVI-DITITAL RIGHT ANGLE RECEPTACLE CONNECTOR WITH JACKPOSTS		
MOLEX INCORPORATED		
DOCUMENT NO.	SHEET NO.	
SD-67351-103	1 OF 2	
THIS DRAWING CONTAINS INFORMATION THAT IS PROPRIETARY TO MOLEX INCORPORATED AND SHOULD NOT BE USED WITHOUT WRITTEN PERMISSION		



\* THESE DIMENSIONS REPRESENT CONNECTOR OVERLAY ON PCB

PLATING OPTION :  
 OUTER SHIELD -- 150u"/3.75um MIN. BRIGHT TIN OVER  
 50u"/(1.27um) MIN. NICKEL OVER COPPER FLASH.  
 .075"/1.91mm CONTACTS -- SELECT GOLD FLASH AND  
 100u"/2.50um MIN. SELECT PURE TIN  
 OVER 50u"/1.27um MIN. NICKEL OVERALL.



RECOMMEND PANEL CUT-OUT  
 PANEL THICKNESS: 0.76/.030 - 1.02/.040

SEE SHEET1	QUALITY SYMBOLS
EC NO: SHZ008-0320	▽=0
DRWN: XJSONG	∇=0
CHKD: JTIAN	
APPR: HWANG	
REV	DESCRIPTION

GENERAL TOLERANCES (UNLESS SPECIFIED)	DIMENSION STYLE
	MM/IN
	SCALE 1:1
	DESIGN UNITS INCH
	THIRD ANGLE PROJECTION
	DRAWN BY XJSONG
	DATE 2007/04/02
	CHECKED BY JTIAN
	DATE 2007/04/02
	APPROVED BY JNCHEN
	DATE 2007/04/02
	MATERIAL NO. 67351-4006
	DOCUMENT NO. SD-67351-103
	SIZE A3
	THIS DRAWING CONTAINS INFORMATION THAT IS PROPRIETARY TO MOLEX INCORPORATED AND SHOULD NOT BE USED WITHOUT WRITTEN PERMISSION

4 PLACES	± ---	± ---
3 PLACES	± ---	± .010
2 PLACES	± 0.25	± .010
1 PLACE	± 0.25	± .010
ANGULAR ± 3 °		

TITLE		DVI-DITIAL RIGHT ANGLE RECEPTACLE CONNECTOR WITH JACKPOSTS	
DRAWN BY		DATE	
XJSONG		2007/04/02	
CHECKED BY		DATE	
JTIAN		2007/04/02	
APPROVED BY		DATE	
JNCHEN		2007/04/02	
MATERIAL NO.		DOCUMENT NO.	
67351-4006		SD-67351-103	
SIZE		SHEET NO.	
A3		2 OF 2	