

PLEASE CHECK WWW.MOLEX.COM FOR LATEST PART INFORMATION

Part Number: [0462355004](#)
Status: **Active**
Overview: Micro-Fit, 3.0™
Description: Micro-Fit 3.0™ High Mating Cycle, Reduced Mating Force, Crimp Terminal, Female, with .0.76µm (30µ") Selective Gold (Au) over Nickel (Ni), 26-30 AWG, with Lubricant

Documents:

[Drawing \(PDF\)](#) [RoHS Certificate of Compliance \(PDF\)](#)
[Product Specification PS-46235-001 \(PDF\)](#)

General

| | |
|-------------------------|--|
| Product Family | Crimp Terminals |
| Series | 46235 |
| Comments | 90% increase in mating cycles (250 cycles) and up to 50% reduction in mating force |
| Crimp Quality Equipment | Yes |
| Overview | <u>Micro-Fit, 3.0™</u> |
| Product Name | Micro-Fit 3.0™ |

Physical

| | |
|--------------------------------|----------------------|
| Durability (mating cycles max) | 250 |
| Gender | Female |
| Material - Metal | Copper-Zinc-Tin |
| Material - Plating Mating | Gold |
| Material - Plating Termination | Nickel |
| Packaging Type | Reel |
| Plating min: Mating (µin) | 0.76 |
| Plating min: Mating (µm) | 30 |
| Plating min: Termination (µin) | 50 |
| Plating min: Termination (µm) | 1.27 |
| Termination Interface: Style | Crimp or Compression |
| Wire Insulation Diameter | 1.27mm (.050") max. |
| Wire Size AWG | 26, 28, 30 |
| Wire Size mm² | N/A |

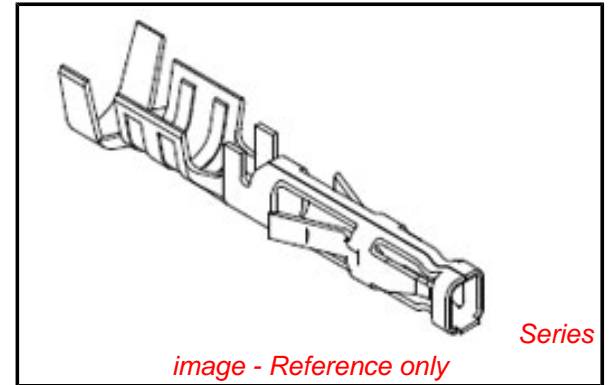
Electrical

| | |
|-------------------|------|
| Voltage - Maximum | 600V |
|-------------------|------|

Material Info

Reference - Drawing Numbers

| | |
|-------------------------|----------------------------|
| Packaging Specification | PK-46235-001 |
| Product Specification | PS-46235-001 |
| Sales Drawing | SD-46235-001 |
| Test Summary | TS-46235-001, TS-46235-501 |



EU RoHS

ELV and RoHS Compliant
REACH SVHC Contains SVHC: No Halogen-Free Status

China RoHS



Not Reviewed

Need more information on product environmental compliance?

Email productcompliance@molex.com
 For a multiple part number RoHS Certificate of Compliance, [click here](#)

Please visit the [Contact Us](#) section for any non-product compliance questions.

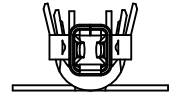
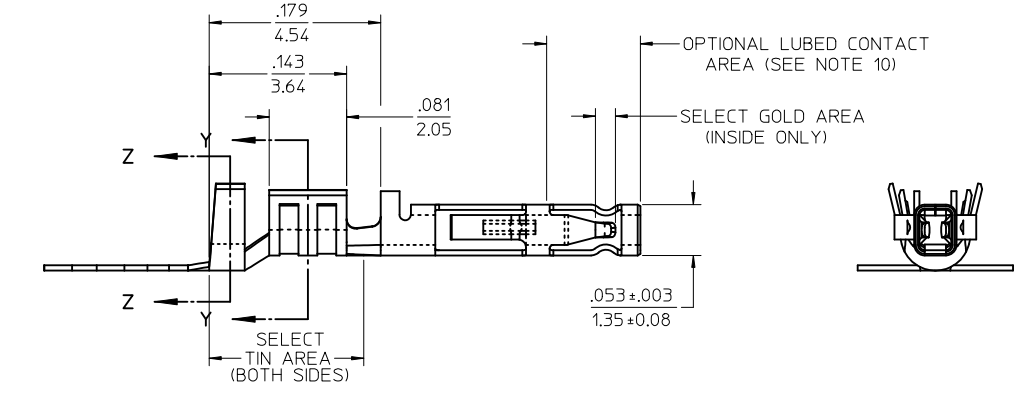
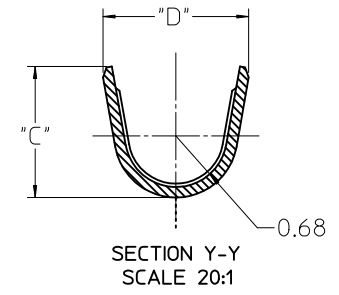
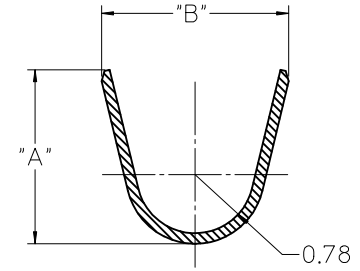
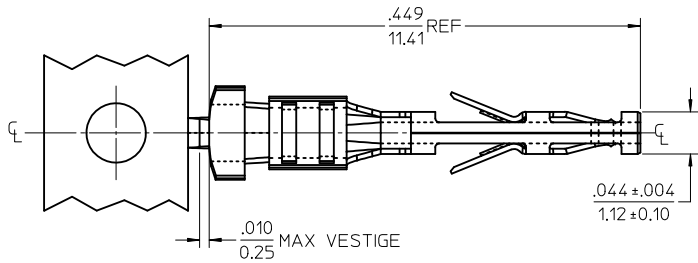
Search Parts in this Series

[46235Series](#)

Use With

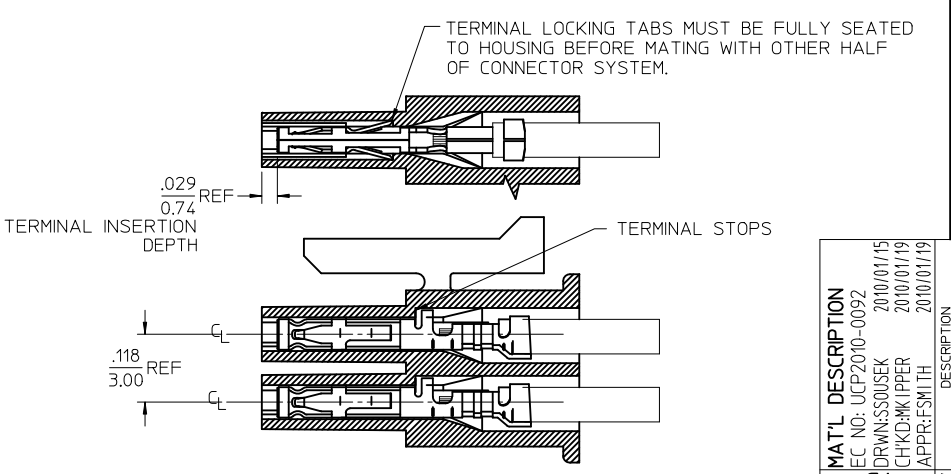
Micro-Fit 3.0™ Receptacle Housing [43025](#) , [43645](#) , [44133](#)

| | 13 | 12 | 11 | 10 | 9 | 8 | 7 | 6 | 5 | 4 | 3 | 2 | 1 |
|---|-----------------|-----------|----------------|-------------|----------------|-----------------------|-----------------------|-----------------------|-----------------------|---|---|---|---|
| J | MATERIAL NUMBER | WIRE SIZE | PLATING OPTION | LUBRICATION | MAX INSULATION | "A" ±.012 ±0.30 | "B" ±.012 ±0.30 | "C" ±.012 ±0.30 | "D" ±.012 ±0.30 | | | | |
| | 46235-0001 | 20-24 | 1 | NO | .073 | .091 | .098 | .068 | .073 | | | | |
| | 46235-0002 | | 2 | | 1.85 | 2.30 | 2.48 | 1.73 | 1.93 | | | | |
| | 46235-0003 | 26-30 | 1 | | .050 | .075 | .090 | .048 | .069 | | | | |
| | 46235-0004 | | 2 | 1.27 | 1.90 | 2.29 | 1.22 | 1.75 | | | | | |
| | 46235-5001 | 20-24 | 1 | YES | .073 | .091 | .098 | .068 | .073 | | | | |
| | 46235-5002 | | 2 | | 1.85 | 2.30 | 2.48 | 1.73 | 1.93 | | | | |
| I | 46235-5003 | 26-30 | 1 | | .050 | .075 | .090 | .048 | .069 | | | | |
| | 46235-5004 | | 2 | | 1.27 | 1.90 | 2.29 | 1.22 | 1.75 | | | | |



NOTES

- MATERIAL: COPPER ALLOY
- TERMINAL PLATING:
 - .000015/0.00038 MIN. SELECT GOLD .000100/0.00254 MIN. SELECT TIN ALL OVER .000050/0.00127 MIN. NICKEL OVERALL.
 - .000030/0.00076 MIN. SELECT GOLD .000100/0.00254 MIN. SELECT TIN ALL OVER .000050/0.00127 MIN. NICKEL OVERALL.
- PRODUCT SPECIFICATION: PS-46235-001
- PACKAGING SPECIFICATION: PK-46235-001
- TERMINAL FOR USE IN RECEPTACLE SERIES 43025, 43645 AND 44133.
- FOR TERMINAL ORIENTATION IN RECEPTACLE SEE PICTORIAL IN LOWER LEFT CORNER
- THIS TERMINAL IS DESIGNED IN METRIC
- MOLEX RECOMMENDS THE USE OF MICRO-FIT TEST PLUG (SERIES 44242) WHENEVER CONTINUITY TESTING IS PERFORMED. TEST PLUGS MUST NOT BE USED TO MAKE OR BREAK UNDER LOAD. MOLEX DOES NOT RECOMMEND USING STANDARD MATING COMPONENTS (SERIES 43020, 43045, 43640, 43650, OR 43031) FOR HARNESS TESTING PURPOSES
- THIS PART CONFORMS TO CLASS B REQUIREMENTS OF COSMETIC SPEC PS-45499-002
- MOLEX PROPRIETARY CONTACT LUBRICATION EB-1 IS APPLIED IN THE CONTACT AREA AS SHOWN. SEE CHART FOR APPLICABLE PART NUMBERS.



| REV | DESCRIPTION |
|-----|---|
| C1 | MATL DESCRIPTION EC NO: UCP2010-0092 DRWN:SSOUSEK 2010/01/15 CHKD:MKIPPER 2010/01/19 APPR:FSMITH 2010/01/19 |

| QUALITY SYMBOLS | | GENERAL TOLERANCES (UNLESS SPECIFIED) | | DIMENSION STYLE | | SCALE | DESIGN UNITS | THIRD ANGLE PROJECTION | |
|--|--------|---------------------------------------|------|-----------------|------------|---|--------------|------------------------|--|
| ▽=0 ▽=0 | | mm | INCH | IN/MM | | 10:1 | METRIC | | |
| 4 PLACES | ± --- | ± --- | | DRAWN BY | DATE | MICRO-FIT (3.0) FEMALE CRIMP TERMINAL LOW MATE FORCE | | | |
| 3 PLACES | ± --- | ±.010 | | TGREGORI | 2007/02/05 | | | | |
| 2 PLACES | ± 0.25 | ±.014 | | CHECKED BY | DATE | MOLEX INCORPORATED | | | |
| 1 PLACE | ± 0.35 | ± --- | | JCOMERC I | 2007/03/19 | | | | |
| ANGULAR ±1/2° | | | | APPROVED BY | DATE | DOCUMENT NO. | | SHEET NO. | |
| DRAFT WHERE APPLICABLE MUST REMAIN WITHIN DIMENSIONS | | | | JCOMERC I | 2007/03/19 | SEE CHART | | SD-46235-001 | |
| | | | | SIZE C | | THIS DRAWING CONTAINS INFORMATION THAT IS PROPRIETARY TO MOLEX INCORPORATED AND SHOULD NOT BE USED WITHOUT WRITTEN PERMISSION | | | |