

**PLEASE CHECK WWW.MOLEX.COM FOR LATEST PART INFORMATION**

**Part Number:** [0759001332](#)  
**Status:** **Active**  
**Overview:** mx150 unshrouded breakaway header  
**Description:** 3.50mm (.138") Pitch, MX150™ Dual Row Header, Breakaway, Right Angle, 6 Circuits, 1.25µm (50µ") Nickel (Ni) Overall, 2.50µm (100µ") Minimum Select Matte Tin (Sn) Plating on Tail, 0.75µm Minimum Select Gold (Au) Contact Area, 4.75mm (.187") PC Tail Length

**Documents:**

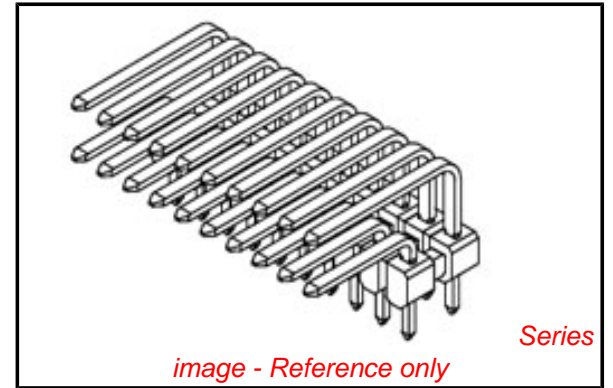
|   |  |
|---|--|
| <a href="#">3D Model</a>                        | <a href="#">Drawing (PDF)</a>                            |
| <a href="#">Application Specification (PDF)</a> | <a href="#">Product Specification PS-75757-000 (PDF)</a> |
| <a href="#">Packaging Specification (PDF)</a>   | <a href="#">RoHS Certificate of Compliance (PDF)</a>     |

**General**

|                |   |
|----------------|---|
| Product Family | PCB Headers                                       |
| Series         | <a href="#">75900</a>                             |
| Application    | Wire-to-Board                                     |
| Overview       | <a href="#">mx150 unshrouded breakaway header</a> |
| Product Name   | MX150™  |

**Physical**

|                                |                                |
|--------------------------------|--------------------------------|
| Breakaway                      | Yes                            |
| Circuits (Loaded)              | 6                              |
| Circuits (maximum)             | 6                              |
| Circuits Detail                | 6                              |
| Color - Resin                  | Black                          |
| Durability (mating cycles max) | 25                             |
| First Mate / Last Break        | No                             |
| Glow-Wire Compliant            | No                             |
| Guide to Mating Part           | No                             |
| Keying to Mating Part          | None                           |
| Lock to Mating Part            | None                           |
| Material - Metal               | Brass                          |
| Material - Plating Mating      | Gold                           |
| Material - Plating Termination | Tin                            |
| Material - Resin               | High Temperature Thermoplastic |
| Number of Rows                 | 2                              |
| Orientation                    | Right Angle                    |
| PC Tail Length (in)            | 0.190 In                       |
| PC Tail Length (mm)            | 4.75 mm                        |
| PCB Locator                    | No                             |
| PCB Retention                  | None                           |
| PCB Thickness Recommended (in) | 0.093 In                       |
| PCB Thickness Recommended (mm) | 2.36 mm                        |
| Packaging Type                 | Tube                           |
| Pitch - Mating Interface (in)  | 0.138 In                       |
| Pitch - Mating Interface (mm)  | 3.50 mm                        |
| Pitch - Term. Interface (in)   | 0.138 In                       |
| Pitch - Term. Interface (mm)   | 3.50 mm                        |
| Plating min: Mating (µin)      | 100                            |
| Plating min: Mating (µm)       | 2.50                           |
| Plating min: Termination (µin) | 50                             |
| Plating min: Termination (µm)  | 1.25                           |
| Polarized to Mating Part       | No                             |
| Polarized to PCB               | No                             |
| Shrouded                       | No                             |



*image - Reference only*

**EU RoHS**

**ELV and RoHS  
Compliant**  
**REACH SVHC  
Not Reviewed**  
**Halogen-Free  
Status  
Not Reviewed**

**China RoHS**



**Need more information on product  
environmental compliance?**

Email [productcompliance@molex.com](mailto:productcompliance@molex.com)  
 For a multiple part number RoHS Certificate of Compliance, [click here](#)

Please visit the [Contact Us](#) section for any non-product compliance questions.

**Search Parts in this Series**

[75900Series](#)

**Use With**

[MX150™ Receptacles Dual Row Housings  
33472](#)

|                                |                 |
|--------------------------------|-----------------|
| Stackable                      | No              |
| Surface Mount Compatible (SMC) | Yes             |
| Temperature Range - Operating  | -40°C to +125°C |
| Termination Interface: Style   | Through Hole    |

**Electrical**

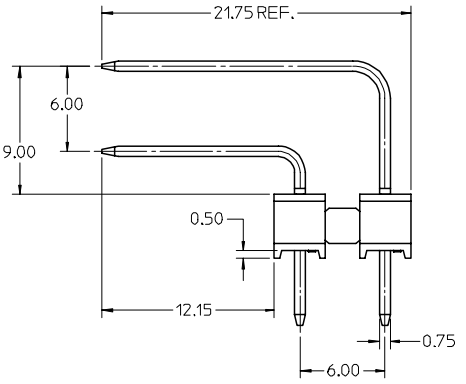
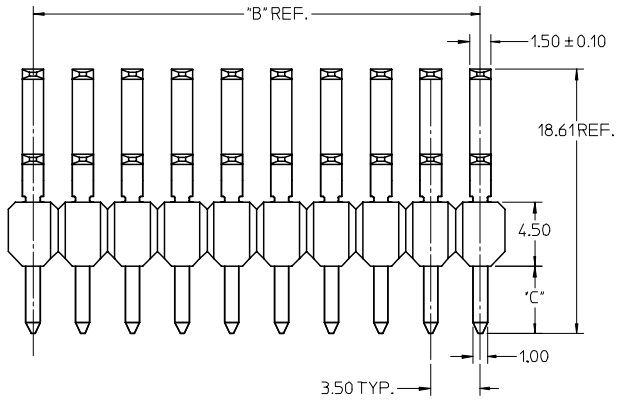
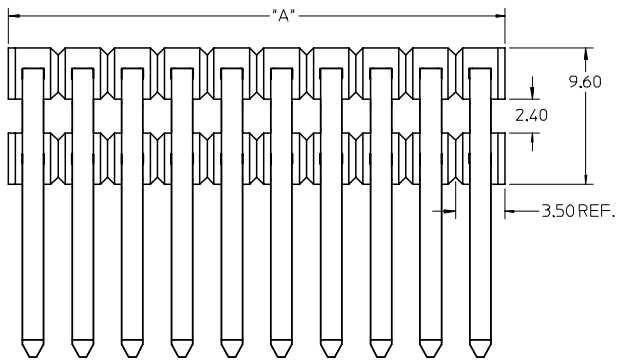
|                               |         |
|-------------------------------|---------|
| Current - Maximum per Contact | 16A     |
| Voltage - Maximum             | 500V DC |

**Material Info****Reference - Drawing Numbers**

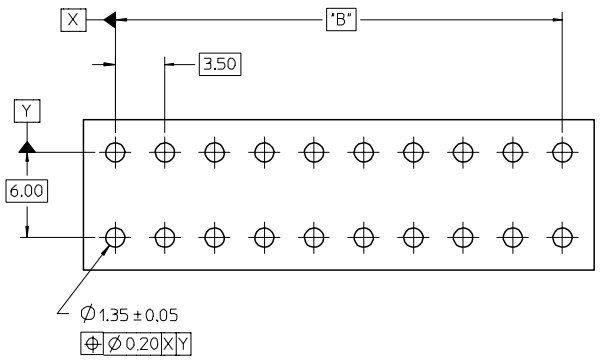
|                           |              |
|---------------------------|--------------|
| Application Specification | AS-75900-203 |
| Product Specification     | PS-75757-000 |
| Sales Drawing             | SD-75900-001 |

This document was generated on 05/31/2010

**PLEASE CHECK [WWW.MOLEX.COM](http://WWW.MOLEX.COM) FOR LATEST PART INFORMATION**



- NOTES:
1. TERMINAL MAT'L: ALLOY C26000, CARTRIDGE BRASS
  2. WAFER MAT'L: 30% GLASS FILLED LCP, 94V-0, COLOR BLACK.
  3. TERMINAL PLATING:
    - OPTION 4 - 1.5µm MIN MATTE TIN OVERALL OVER 1.25µm NICKEL OVERALL
    - OPTION 1 - 2.5µm MIN MATTE TIN OVERALL OVER 1.25µm NICKEL OVERALL
    - OPTION 2 - 1.25µm NICKEL OVERALL 2.5µm MIN SELECT MATTE TIN PC TAIL AREA 0.05-0.25µm SELECT GOLD CONTACT AREA
    - OPTION 3 - 1.25µm NICKEL OVERALL 2.5µm MIN SELECT MATTE TIN PC TAIL AREA 0.75µm SELECT GOLD CONTACT AREA
  4. HEADER ASSEMBLIES ARE TUBE PACKAGED PER PK-75900-9900.
  5. COMPLIES WITH USCAR 1.5mm TERMINAL BLADE SPECIFICATION.



RECOMMENDED PCB LAYOUT

| CKT SIZE | PLATING OPTION | MATERIAL NUMBER | *A* DIM | *B* DIM  | *C* DIM | MATERIAL NUMBER | *A* DIM | *B* DIM  | *C* DIM |
|----------|----------------|-----------------|---------|----------|---------|-----------------|---------|----------|---------|
|          |                |                 |         |          |         |                 |         |          |         |
| 2 x 2    | 1              | 75900-1121      | 7.0     | 3.50 REF |         | 75900-1122      | 7.0     | 3.50 REF |         |
|          | 2              | 75900-1221      |         |          |         | 75900-1222      |         |          |         |
|          | 3              | 75900-1321      |         |          |         | 75900-1322      |         |          |         |
|          | 4              | 75900-1421      |         |          |         | 75900-1422      |         |          |         |
| 2 x 3    | 1              | 75900-1131      | 10.5    | 7.00     |         | 75900-1132      | 10.5    | 7.00     |         |
|          | 2              | 75900-1231      |         |          |         | 75900-1232      |         |          |         |
|          | 3              | 75900-1331      |         |          |         | 75900-1332      |         |          |         |
|          | 4              | 75900-1431      |         |          |         | 75900-1432      |         |          |         |
| 2 x 4    | 1              | 75900-1141      | 14.0    | 10.50    | 3.05    | 75900-1142      | 14.0    | 10.50    | 4.75    |
|          | 2              | 75900-1241      |         |          |         | 75900-1242      |         |          |         |
|          | 3              | 75900-1341      |         |          |         | 75900-1342      |         |          |         |
|          | 4              | 75900-1441      |         |          |         | 75900-1442      |         |          |         |
| 2 x 6    | 1              | 75900-1161      | 21.0    | 17.50    |         | 75900-1162      | 21.0    | 17.50    |         |
|          | 2              | 75900-1261      |         |          |         | 75900-1262      |         |          |         |
|          | 3              | 75900-1361      |         |          |         | 75900-1362      |         |          |         |
|          | 4              | 75900-1461      |         |          |         | 75900-1462      |         |          |         |
| 2 x 8    | 1              | 75900-1181      | 28.0    | 24.50    |         | 75900-1182      | 28.0    | 24.50    |         |
|          | 2              | 75900-1281      |         |          |         | 75900-1282      |         |          |         |
|          | 3              | 75900-1381      |         |          |         | 75900-1382      |         |          |         |
|          | 4              | 75900-1481      |         |          |         | 75900-1482      |         |          |         |
| 2 x 10   | 1              | 75900-1101      | 35.0    | 31.50    |         | 75900-1102      | 35.0    | 31.50    |         |
|          | 2              | 75900-1201      |         |          |         | 75900-1202      |         |          |         |
|          | 3              | 75900-1301      |         |          |         | 75900-1302      |         |          |         |
|          | 4              | 75900-1401      |         |          |         | 75900-1402      |         |          |         |

|   |                               |                                       |  |                              |  |   |                        |   |  |  |
|---|-------------------------------|---------------------------------------|--|------------------------------|--|---|------------------------|---|--|--|
| PRELIM RELEASE<br>FCC NO: UCP2006-2758<br>DRAWN: J. SWENSON 2007/01/17<br>CHKD: 2007/01/17<br>APPR: MBANAKIS 2007/01/18<br>REV: | QUALITY SYMBOLS<br>▽=0<br>▽=0 | GENERAL TOLERANCES (UNLESS SPECIFIED) |  | DIMENSION STYLE<br>MM ONLY   |  | SCALE<br>4:1  | DESIGN UNITS<br>METRIC | THIRD ANGLE PROJECTION  |  |  |
|   |                               | 4 PLACES ± --- ± ---                  |  | DRAWN BY<br>TMCCLELL         |  | DATE<br>1/25/06   |                        | MX150 RIGHT ANGLE<br>DUAL ROW BREAK-AWAY<br>HEADER ASSEMBLY<br>MOLEX INCORPORATED |  |  |
|   |                               | 3 PLACES ± --- ± ---                  |  | CHECKED BY<br>TMCCLELL       |  | DATE<br>1/25/06   |                        |   |  |  |
|   |                               | 2 PLACES ± 0.13 ± ---                 |  | APPROVED BY<br>BANAKIS       |  | DATE<br>1/25/06   |                        |   |  |  |
| 1 PLACE ± 0.25 ± ---  |                               | MATERIAL NO.<br>SEE CHART             |  | DOCUMENT NO.<br>SD-75900-001 |  |   |                        |   |  |  |
| DRAFT WHERE APPLICABLE<br>MUST REMAIN WITHIN DIMENSIONS   |                               |                                       |  | SIZE<br>C                    |  | THIS DRAWING CONTAINS INFORMATION THAT IS PROPRIETARY TO MOLEX INCORPORATED AND SHOULD NOT BE USED WITHOUT WRITTEN PERMISSION |                        |   |  |  |