

IEC Appliance Inlet C20 with Line Switch, 1- or 2-pole

Snap-In Version or Screw-On Version
illuminated version

C20

 70° C

**Description**

- Panel Mount:
Screw-on version from front or rear side, snap-in version from front side
- 2 Functions:
Appliance Inlet Protection class I, Line Switch 2-pole
- Quick connect terminals 6.3 x 0.8 mm
- Alternative: version with line filter [EC12](#)

Approvals

- VDE License Number: 40001031
- UL License Number: E96454

Characteristics

- All single elements are already wired
Unwired versions available on request
- Line switch non-illuminated or illuminated
- Ideal for application with high transient loads
- Qualified for use in equipment according IEC/EN 60950

Other versions on request

- Unwired versions
- Line switch with other rocker marking
- For protection class II

References

[General Product Information](#)

Weblinks

[Approvals](#), [RoHS](#), [CHINA-RoHS](#), [Mating Connectors](#), [e-Store](#), [Distributor-Stock-Check](#), [Accessories](#)

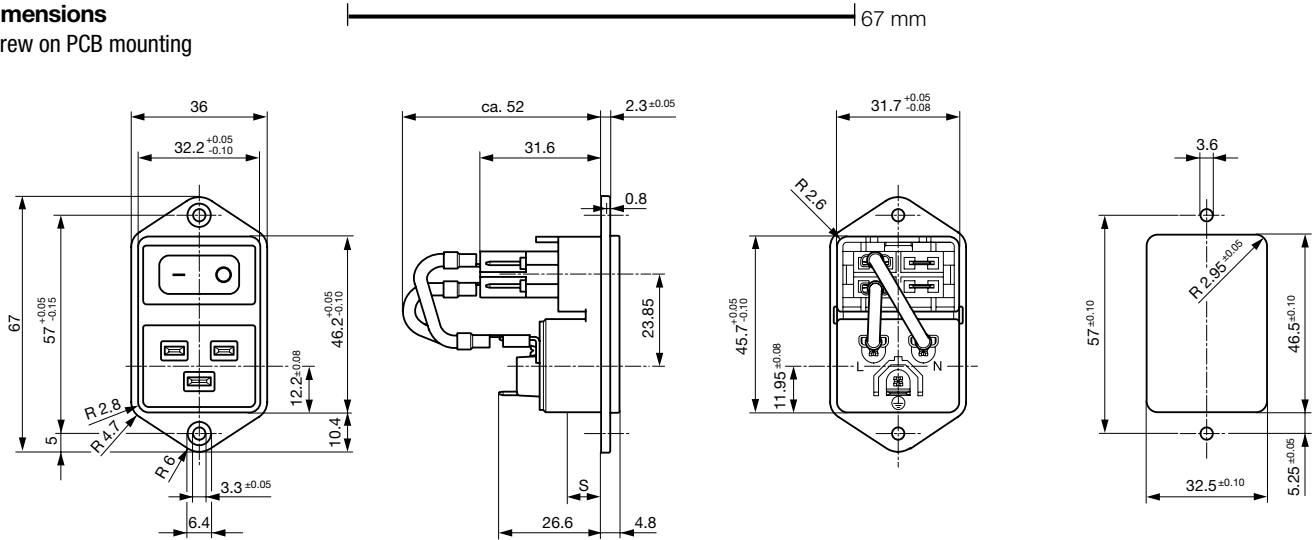
Technical Data

Ratings IEC	16A / 250VAC; 50Hz
Ratings UL/CSA	20A / 250VAC; 60Hz
Dielectric Strength	> 2.5kVAC between L-N > 3kVAC between L/N-PE (1 min/50Hz)
Allowable Operation Temp.	-25°C to 70°C
Degree of Protection	from front side IP 40 acc. to IEC 60529
Protection Class	Suitable for appliances with protection class 1 acc. to IEC 61140
Terminal	Quick connect terminals 6.3 x 0.8 mm
Panel Thickness	Screw: max 8 mm Mounting screw torque max 0.5Nm Snap-in: 1.5/2/2.5 mm
Material: Housing	Thermoplastic, black, UL 94V-0

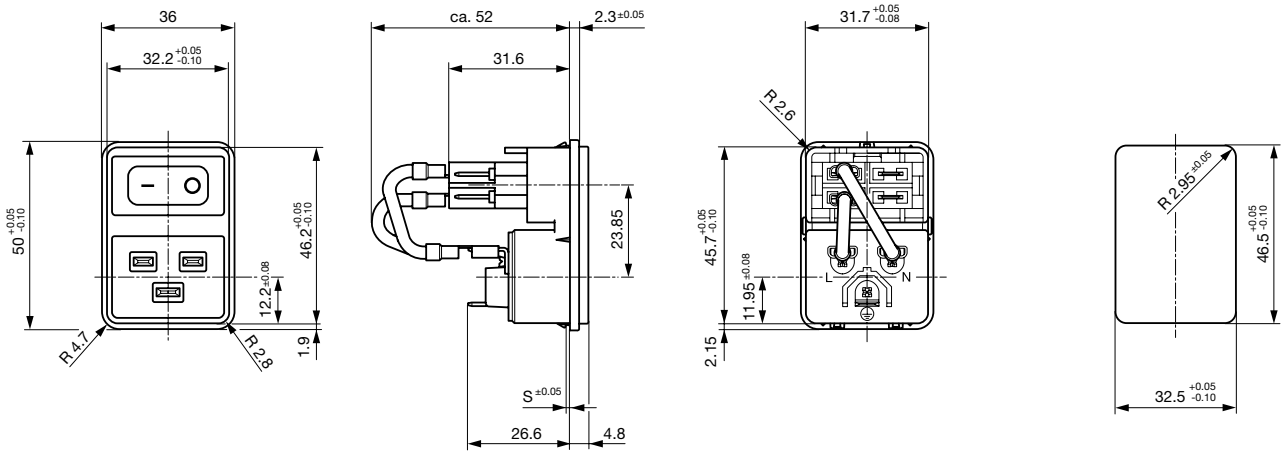
Appliance Inlet	C20 acc. to IEC/EN 60320-1, UL 498, CSA C22.2 no. 42 (for cold conditions) pin-temperature 70 °C, 16A, Protection Class 1
Line Switch	Rocker switch 2-pole, non-illuminated or illuminated, acc. to IEC 61058-1 Technical details

Dimensions

Screw on PCB mounting

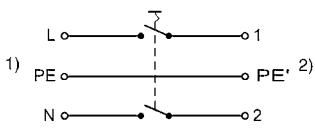


Snap-in mounting



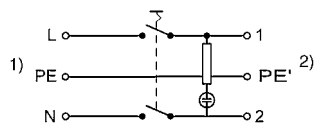
Diagrams

Line switch non-illuminated



1) Line
2) Load

Line switch illuminated



1) Line
2) Load

Variants

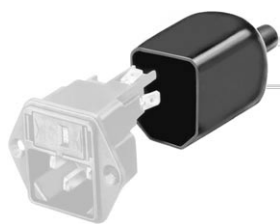
with internal connections

Panel mounting	Panel Thickness s [mm]	Illumination	Color	Internally wired	Order Number
Screw	-	-	-	-	EC11.0001.002
Screw	-	●	red	●	EC11.0021.001
Screw	-	●	red	-	EC11.0021.002
Screw	-	●	green	●	EC11.0031.001
Screw	-	●	green	-	EC11.0031.002
Screw	6	-	-	●	EC11.0001.001
Snap-in	1.5	-	-	●	EC11.0001.201
Snap-in	1.5	-	-	-	EC11.0001.202
Snap-in	1.5	●	red	●	EC11.0021.201
Snap-in	1.5	●	red	-	EC11.0021.202
Snap-in	1.5	●	green	●	EC11.0031.201
Snap-in	1.5	●	green	-	EC11.0031.202
Snap-in	2	-	-	●	EC11.0001.301
Snap-in	2	-	-	-	EC11.0001.302
Snap-in	2	●	red	●	EC11.0021.301
Snap-in	2	●	red	-	EC11.0021.302
Snap-in	2	●	green	●	EC11.0031.301
Snap-in	2	●	green	-	EC11.0031.302
Snap-in	2.5	-	-	●	EC11.0001.401
Snap-in	2.5	-	-	-	EC11.0001.402
Snap-in	2.5	●	red	●	EC11.0021.401
Snap-in	2.5	●	red	-	EC11.0021.402
Snap-in	2.5	●	green	●	EC11.0031.401
Snap-in	2.5	●	green	-	EC11.0031.402

Packaging unit 25 Pcs

Accessories

Description

Assorted Covers
Rear Cover

0859.0076

Cord retaining kits
Cord retaining strain relief

Flat head, Z

0888.0021

Flat head, H

4700.0008

Mating Outlets/Connectors

Category / Description

[Connector Overview complete](#)



IEC Connector C19, Rewireable, Straight	0104
IEC Connector C19, Rewireable, Angled	1651
IEC Connector C19, Rewireable, Straight	1652
IEC Connector C19, Rewireable, Angled	4790
IEC Connector C19, Rewireable, Straight	4795

[Connector further types to EC11](#)

[Power Cord Overview complete](#)



Power Cord with IEC Connector C19, Straight	1654
---------------------------------------------	------

[Power Cord further types to EC11](#)

[Power Supply or Interconnection Cord Overview complete](#)



Divers Power Supply and Interconnection Cords 10 A	4300.0920
Divers Power Supply and Interconnection Cords 16 A	6003.0395
Divers Power Supply and Interconnection Cords 16 A	6009.5195

[Power Supply or Interconnection Cord further types to EC11](#)