

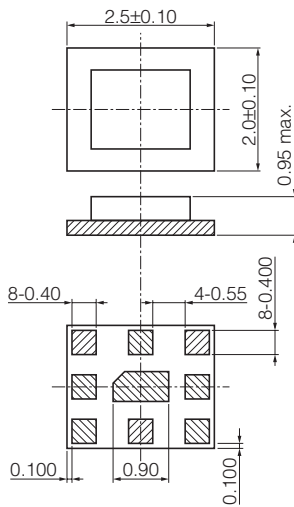
■ Ratings and Characteristics

| Part No. | System | Nominal Center Frequency | Input/Output Impedance | Size | Package |
|------------------------------|---------------------|--------------------------|------------------------|------------|---------|
| EFSD836MJ1□□ EFSD836MJ2□□ | CDMA UMTS Band V | 836.5/881.5 MHz | UB-UB(50 Ω-50 Ω) | 2.5×2.0 mm | J |
| EFSD1950J1□□ EFSD1950J2□□ | UMTS Band I | 1950/2140 MHz | UB-UB(50 Ω-50 Ω) | 2.5×2.0 mm | J |
| EFSD897MK1□□ EFSD897MK2□□ | UMTS Band VIII | 897.5/942.5 MHz | UB-UB(50 Ω-50 Ω) | 2.5×2.0 mm | K |

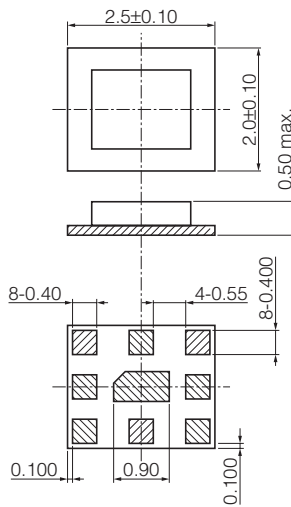
* UB : Unbalance, B : Balance

■ Dimensions in mm (not to scale)

J type



K type

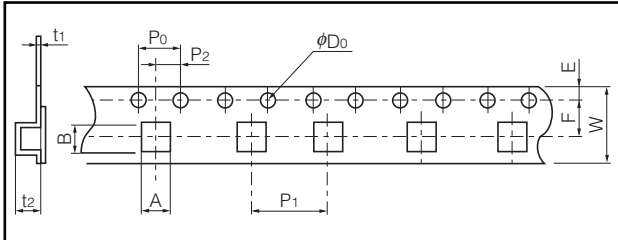


■ Packaging Methods (Taping)

● Minimum Quantity / Packing Unit

| Part Number | Packaging Style | Quantity | Packaging Quantity in Carton | Carton Dimensions in mm (LxWxH) |
|--------------|-------------------------|----------------|------------------------------|---------------------------------|
| EFSD□□□□J□□□ | Embossed Carrier Taping | 2000 pcs./reel | 10000 pcs. | 230×220×73 |
| EFSD□□□□K□□□ | Embossed Carrier Taping | 2000 pcs./reel | 10000 pcs. | 230×220×73 |

● Embossed Carrier Taping



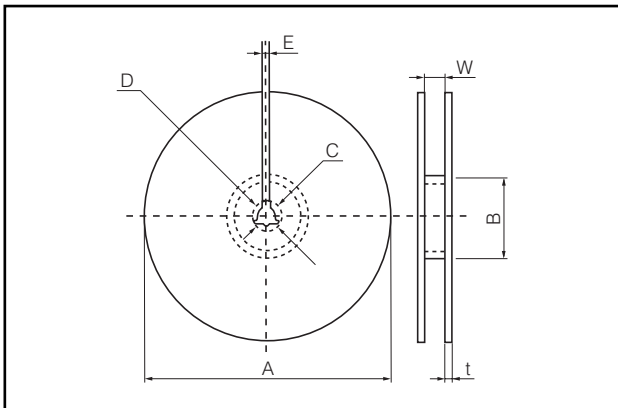
J type

| Symbol | W | F | E | P_0 | P_1 | P_2 | D_0 | t_1 | t_2 | A | B |
|-----------|---------------|-----------------|-----------------|---------------|---------------|-----------------|---------------------------|-----------------|-----------------|---------------|---------------|
| Dim. (mm) | 8.0 ± 0.2 | 3.50 ± 0.05 | 1.75 ± 0.10 | 4.0 ± 0.1 | 4.0 ± 0.1 | 2.00 ± 0.05 | $\phi 1.50^{+0.1}_{-0.1}$ | 0.25 ± 0.05 | 1.10 ± 0.10 | 2.3 ± 0.1 | 2.8 ± 0.1 |

K type

| Symbol | W | F | E | P_0 | P_1 | P_2 | D_0 | t_1 | t_2 | A | B |
|-----------|---------------|-----------------|-----------------|---------------|---------------|-----------------|---------------------------|-----------------|-----------------|---------------|---------------|
| Dim. (mm) | 8.0 ± 0.2 | 3.50 ± 0.05 | 1.75 ± 0.10 | 4.0 ± 0.1 | 4.0 ± 0.1 | 2.00 ± 0.05 | $\phi 1.50^{+0.1}_{-0.1}$ | 0.25 ± 0.05 | 0.70 ± 0.10 | 2.3 ± 0.1 | 2.8 ± 0.1 |

● Taping Reel



J, K type

| Symbol | A | B | C | D | E | W | t |
|-----------|------------------|---------------------|---------------------|---------------------|---------------|---------------|--------|
| Dim. (mm) | $\phi 178 \pm 3$ | $\phi 60.0 \pm 1.0$ | $\phi 13.0 \pm 0.5$ | $\phi 21.0 \pm 1.0$ | 2.0 ± 0.5 | 9.0 ± 1.0 | max. 3 |