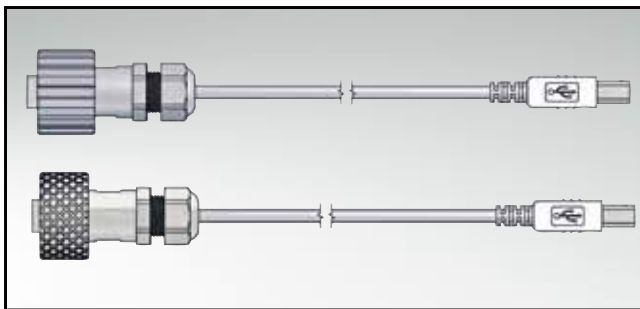


USB 2.0 PATCH CORD

IP67 to IP20 – Type B



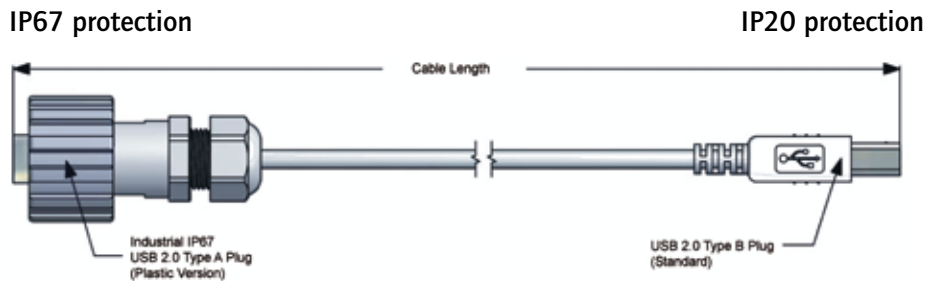
RoHS compliant

DESCRIPTION

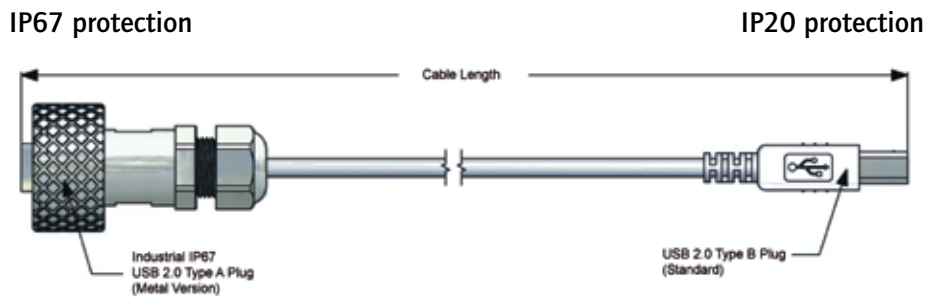
- Field attachable patch cord
- IP67 protected at one end and IP20 rated on the other end
- Plastic design with bayonet locking
- Metal design with M28 thread
- Special lengths on request

PRODUCT DRAWING

Plastic design (Bayonet locking)



Metal design (M28 thread)



ORDER DATA

Type	Degree of protection	Material	Cable	Length	Part Number
Patch cord	IP67-IP20 type B	Black/Plastic	AWM2725 AWG 28/1p and AWG 24/2c, black	2 m	17-200181
Patch cord	IP67-IP20 type B	Black/Plastic	AWM2725 AWG 28/1p and AWG 24/2c, black	3 m	17-200191
Patch cord	IP67-IP20 type B	Black/Plastic	AWM2725 AWG 28/1p and AWG 24/2c, black	4.5m	17-200211
Patch cord	IP67-IP20 type B	Metal/Brass nickel plated	AWM2725 AWG 28/1p and AWG 24/2c, black	2 m	17-200341
Patch cord	IP67-IP20 type B	Metal/Brass nickel plated	AWM2725 AWG 28/1p and AWG 24/2c, black	3 m	17-200351
Patch cord	IP67-IP20 type B	Metal/Brass nickel plated	AWM2725 AWG 28/1p and AWG 24/2c, black	4.5m	17-200361