

# 1N4150

## FAST SWITCHING SURFACE MOUNT DIODES

**VOLTAGE** 50 Volts **POWER** 500 mWatts

DO-35

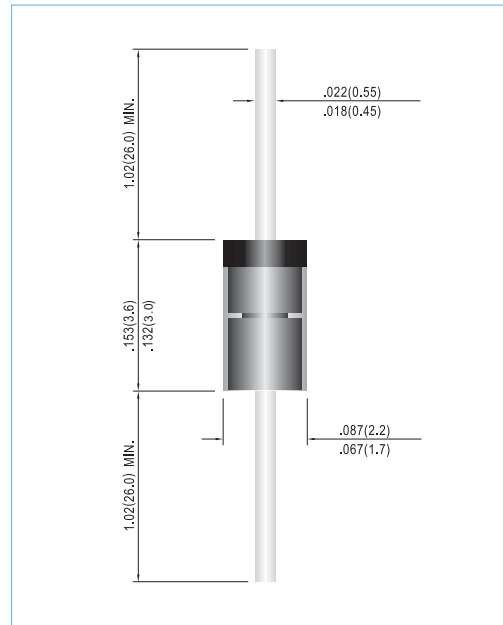
Unit: inch ( mm )

### FEATURES

- Fast switching Speed.
- Surface Mount Package Ideally Suited For Automatic Insertion.
- Silicon Epitaxial Planar Construction.
- In compliance with EU RoHS 2002/95/EC directives

### MECHANICAL DATA

- Case: Mini Melf, Glass
- Terminals: Solderable per MIL-STD-750, Method 2026
- Polarity: See Diagram Below
- Approx. Weight: 0.13 grams
- Mounting Position: Any
- Ordering information: Suffix : " -35 " to order DO-35 Package
- Packing information
  - B - 2K per Bulk box
  - T/R - 10K per 13" plastic Reel
  - T/B - 5K per horiz. tape & Ammo box



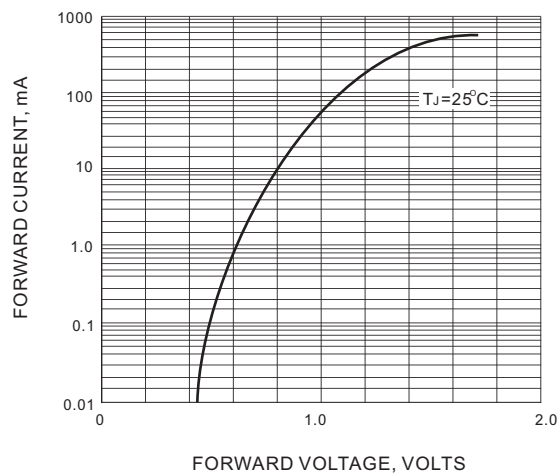
## MAXIMUM RATINGS AND ELECTRICAL CHARACTERISTICS (T<sub>J</sub>=25°C unless otherwise noted)

PARAMETER	SYMBOL	1N4150	UNITS
Reverse Voltage	V <sub>R</sub>	50	V
Peak Reverse Voltage	V <sub>RM</sub>	50	V
RMS Voltage	V <sub>RMS</sub>	35	V
Maximum Average Forward Current at T <sub>A</sub> =25°C And f ≥ 50Hz	I <sub>F(AV)</sub>	200	mA
Surge Forward Current at t < 1s and T <sub>J</sub> =25 °C	I <sub>FSM</sub>	500	mA
Power Dissipation at Tamb= 25 °C	P <sub>TOT</sub>	500	mW
Maximum Forward Voltage at I <sub>F</sub> =200mA	V <sub>F</sub>	1.0	V
Maximum Leakage Current at V <sub>R</sub> = 50V	I <sub>R</sub>	0.1	μA
Maximum Capacitance (Note 1)	C <sub>J</sub>	4	pF
Maximum Reverse Recovery Time (Note 2)	t <sub>tr</sub>	4	ns
Typical Thermal Resistance	R <sub>θJA</sub>	350	°C / W
Junction Temperature and Storage Temperature Range	T <sub>J</sub> , T <sub>S</sub>	-65 to +175	°C

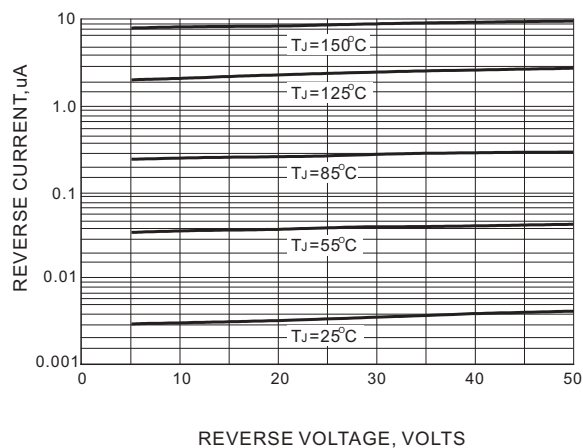
**NOTE:**

1. C<sub>J</sub> at V<sub>R</sub>=0, f=1MHZ
2. From I<sub>F</sub>=10mA to I<sub>R</sub>=1mA, V<sub>R</sub>=6Volts, R<sub>L</sub>=100Ω

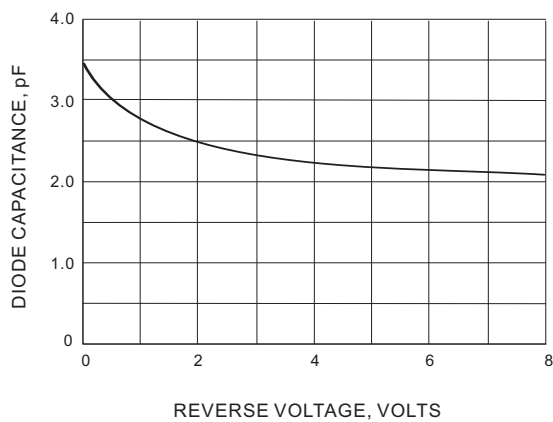
# 1N4150



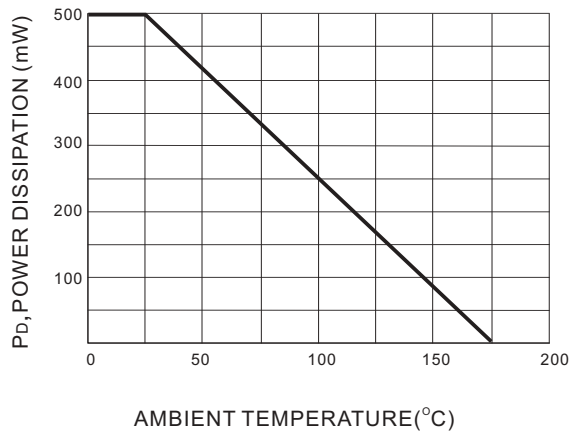
FORWARD VOLTAGE



LEAKAGE CURRENT



TYPICAL CAPATICANCE



POWER DERATING