

# GOG96014

## THREE PHASE AC-DC BRIDGE

Fuse protection  
Blown fuse indicators with microswitch  
Over temperature switches  
Fan loss detection circuit  
Snubber for SCR's protections  
Extractible stacks for easy field service

**LINE VOLTAGE UP TO 690V**  
**DC OUTPUT CURRENT 1400A**

### GOG96014

Line to line voltage	690 V
----------------------	-------

Characteristic		Conditions			Value
I <sub>DC</sub>	DC output current				1400 A
V <sub>INS</sub> (rms)	Insulation voltage				3000 V

### THYRISTOR CHARACTERISTICS

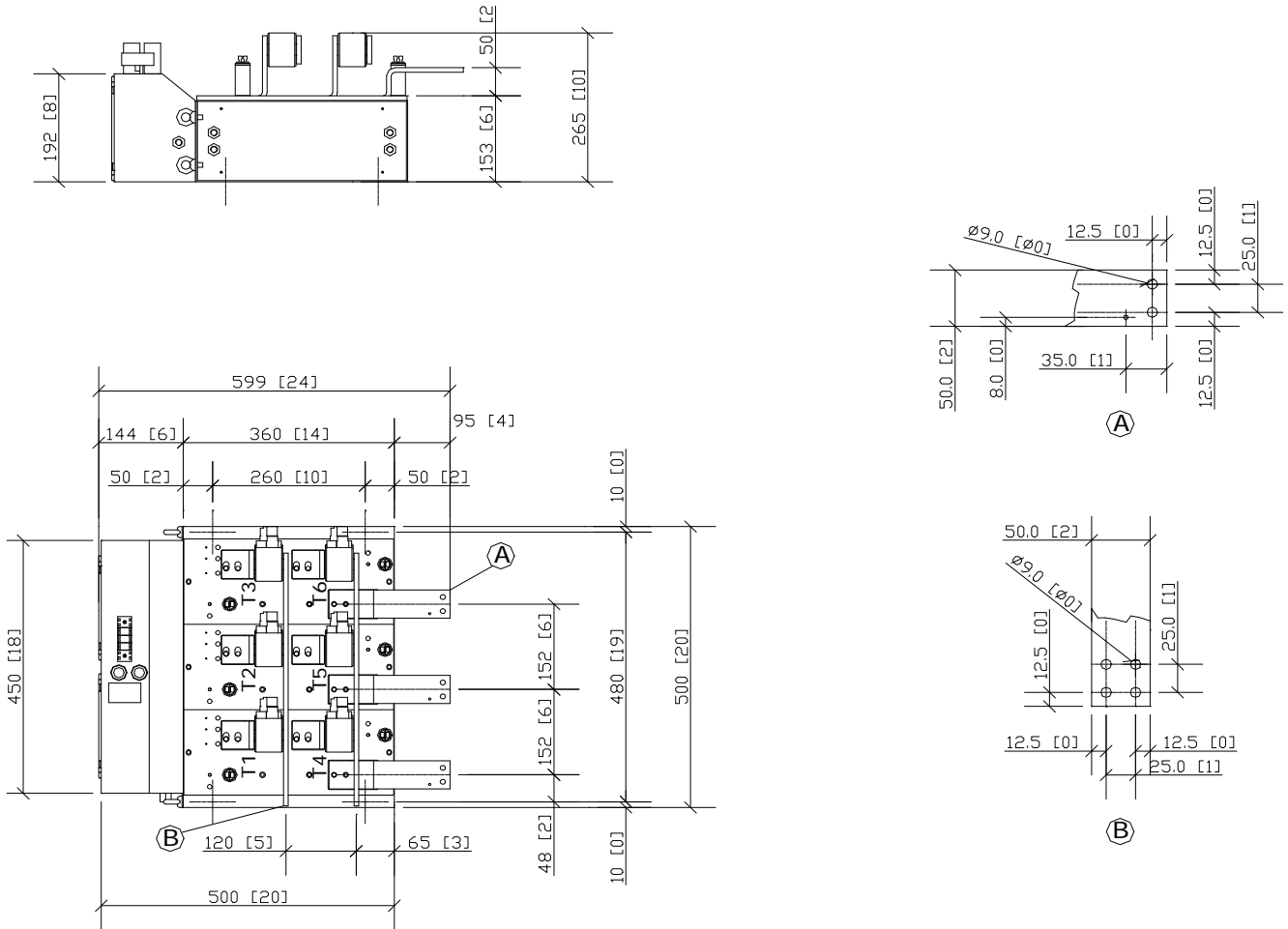
V <sub>GT</sub>	Gate trigger voltage	T <sub>j</sub> = 25 °C, V <sub>D</sub> = 5 V			3 V
I <sub>GT</sub>	Gate trigger current	T <sub>j</sub> = 25 °C, V <sub>D</sub> = 5 V			300 mA
dV/dt	Critical rate of rise off-state voltage	T <sub>j</sub> = 125 °C			1000 V/us
V <sub>RRM</sub>	Blocking Voltage	T <sub>j</sub> = 125 °C			2200 V

### FUSE TYPE SIBA 2068132.900

V <sub>NF</sub>	Rated voltage				690 V
I <sub>NF</sub>	Rated current				900 A
P <sub>VF</sub>	Power loss	At rated current			120 W
I <sup>2</sup> <sub>t</sub>	Total I <sup>2</sup> t	At 660V			660 kA <sup>2</sup> s

### MECHANICAL AND THERMAL CHARACTERISTICS

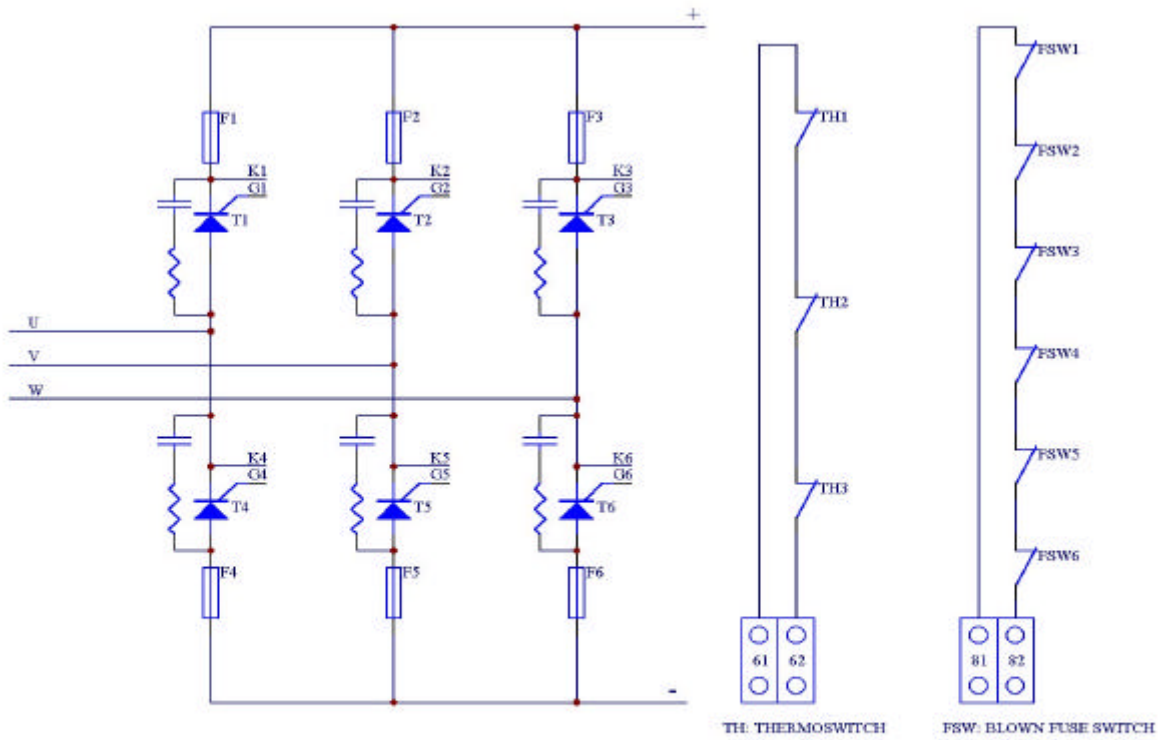
	Width				500 mm
	Depth				275 mm
	Height				855 mm
	Mass				70 kg
T <sub>a max</sub>	Max amb. op. Temp.				40 °C
T <sub>stg</sub>	Storage temperature				-40/60 °C



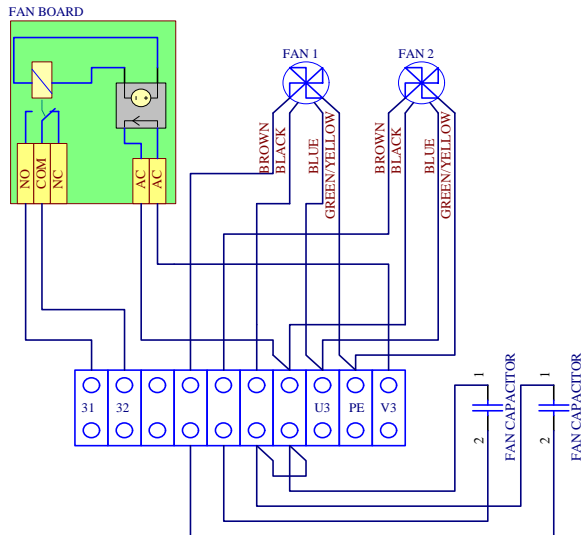
The part numbering system is reported at the beginning of the Open Assembly section.

Customisations are available on request. Please contact factory.

In the interest of product improvement Green Power Solutions reserves the right to change any specification given in this data sheet without notice.



61-62: THERMOSWITCH CIRCUIT CONNECTION  
81-82: BLOWN FUSE SWITCH CIRCUIT CONNECTION



U3-V3: MAIN SUPPLY  
PE: GROUND CONNECTION (GND)  
31-32: FAN BOARD CONTACT (CLOSED WHEN FAN RUNNING)

**Cooling:**

- Fan type: single phase axial
- Number of fans: 2
- Voltage: 230 V
- Current: 0.4 A
- Frequency: 50/60 Hz
- Noise: 62 dBA

In the interest of product improvement Green Power Solutions reserves the right to change any specification given in this data sheet without notice.