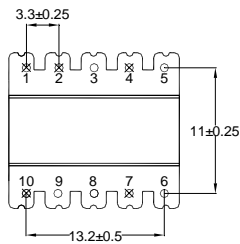
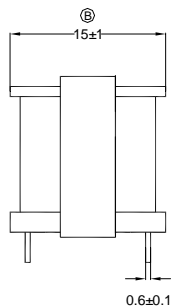
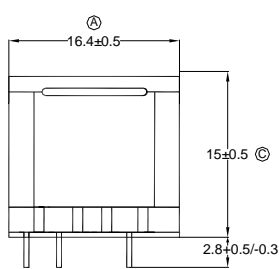


Broadband Access Transformer

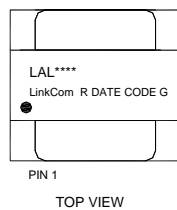
- Designed to meet UL 60950 and EN 60950 requirements for supplementary insulation
- RoHS Compliant
- Operating Temperature -40°C to 85°C

Electrical Specifications @25°C	
OCL:	PIN 1-4= 6.0mH ±10% @ 10KHz/0.1V/Ser.
	PIN 7-10= 6.0mH ±10% @ 10KHz/0.1V/Ser.
D.C.R	PIN 1-4= 4.5 ohm Max.
	PIN 7-10= 4.5 ohm Max.
Hi-POT :	PRI. – SEC. = 500VAC/60Hz/60Seconds/1mA
	PRI. – CORE = 500VAC/60Hz/60Seconds/1mA
	SEC. – CORE = 500VAC/60Hz/60Seconds/1mA
Turn Ratio:	PIN1-4 : PIN 7-10 = 1±2% :1

Dimensions (Units: mm)

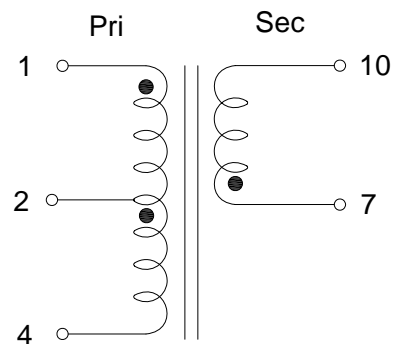


BOTTOM VIEW
PIN 3,5,6,8,9,CUT OFF



TOP VIEW

Schematic



Mark

- 1.LAL ****----LAL0174
2. X----PRODUCT LINE
3. DATE CODE----YYWW
4. G----RoHS