

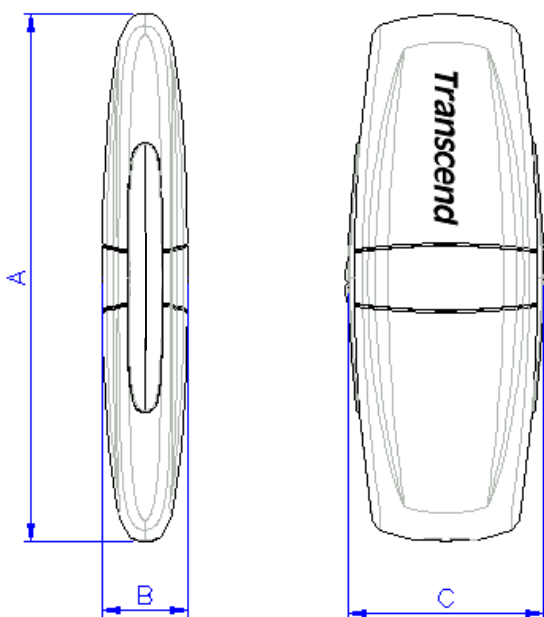
TS16GJFV20

16GB USB2.0 JetFlash™V20

Description

TS16GJFV20 is a 16GB USB Flash Drive with 2pcs of 8Gbx8 Flash Memory assembled on printed circuit board.

Outline



Features

- Frame Color: Yellow
- Fully compatible with hi-speed USB 2.0
- Easy Plug and Play installation
- USB powered. No external power or battery needed
- LED indicates the usage status
- JetFlash elite software pack*

System Requirement

- Hardware: Desktop or notebook computer with USB port
- Operating System: Windows® 7/ Vista/ XP/ Me/ 2000 and Mac™ OS 9.0 or later, Linux™ Kernel 2.4.2 or later

Dimensions

Side	Millimeters	Inches
A	75 ± 1.00	2.95 ± 0.04
B	11 ± 1.00	0.43 ± 0.04
C	25 ± 1.00	0.98 ± 0.04

*JetFlash software pack

Function	
Favorites	store your favorite website addresses on the JetFlash
AutoLogin	automatically login to websites
Secret-Zip	compress and/or password protect saved files
PC-Lock	makes JetFlash a key to your computer
E-Mail	securely send, receive and save e-mails
DataBackup	backup, restore and synchronize your data

TS16GJFV20

16GB USB2.0 JetFlash™V20

Pinouts

Pin No.	Pin Name	Function
01	VCC	USB power input
02	USB-	USB differential signal
03	USB+	
04	VSS	Ground

Specifications

Storage Capacity	16GB**
Data Retention	10 years
Erase Cycles	>10,000 times
Connector Durability	10,000 times
System Performance	Read: 20MB/sec (max.), Write: 13MB/sec (max.)
Wear-leveling	Dynamic
Power Supply	DC 5V±10%, Max current : 200 mA
Temperature Range	Operation: 0-70°C, Non-Operating: -20°C-75°C
Certificates	CE, FCC, BSMI

Above technical information is based on industry standard data and tested to be reliable. However, Transcend makes no warranty, either expressed or implied, as to its accuracy and assumes no liability in connection with the use of this product. Transcend reserves the right to make changes in specifications at any time without prior notice.

* 1GB = 1 billion bytes. A certain portion of the storage capacity may be reserved for firmware and maintenance use.