

PLEASE CHECK WWW.MOLEX.COM FOR LATEST PART INFORMATION

Part Number: [5016350510](#)
Status: **Active**
Description: 0.40mm (.016") Pitch SlimStack™ Board-to-Board Receptacle, SMT, Dual Row, Vertical Stacking, 1.70mm (.037") Stacking Height, With Solder Tabs, 50 Circuits

Documents:

[3D Model](#) [Product Specification PS-501635-001 \(PDF\)](#)
[Drawing \(PDF\)](#) [RoHS Certificate of Compliance \(PDF\)](#)

General

Product Family	PCB Receptacles
Series	501635
Application	Board-to-Board
Product Name	SlimStack™

Physical

Circuits (Loaded)	30
Color - Resin	Black
Durability (mating cycles max)	30
Glow-Wire Compliant	No
Lock to Mating Part	Yes
Mated Height (in)	0.067 In
Mated Height (mm)	1.70 mm
Material - Metal	Copper Alloy, Phosphor Bronze
Material - Plating Mating	Gold
Material - Plating Termination	Gold
Number of Rows	2
Orientation	Vertical
PCB Retention	Yes
Packaging Type	Embossed Tape on Reel
Pitch - Mating Interface (in)	0.016 In
Pitch - Mating Interface (mm)	0.40 mm
Pitch - Term. Interface (in)	0.016 In
Pitch - Term. Interface (mm)	0.40 mm
Polarized to Mating Part	No
Polarized to PCB	No
Stackable	No
Temperature Range - Operating	-25°C to +85°C
Termination Interface: Style	Surface Mount

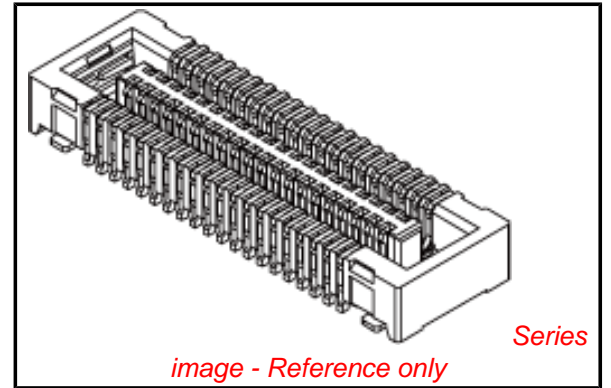
Electrical

Current - Maximum per Contact	0.3A
Voltage - Maximum	50V AC (RMS)/DC

Material Info

Reference - Drawing Numbers

Product Specification	PS-501635-001
Sales Drawing	SD-501635-001, SD-501635-002



EU RoHS

ELV and RoHS Compliant
REACH SVHC
Contains SVHC: No
Halogen-Free
Status

China RoHS



Not Reviewed

Need more information on product environmental compliance?

Email productcompliance@molex.com
 For a multiple part number RoHS Certificate of Compliance, [click here](#)

Please visit the [Contact Us](#) section for any non-product compliance questions.

Search Parts in this Series

[501635Series](#)

Mates With

[501639 PCB Header](#)

10 9 8 7 6 5 4 3 2 1

F

E

D

C

B

A

F

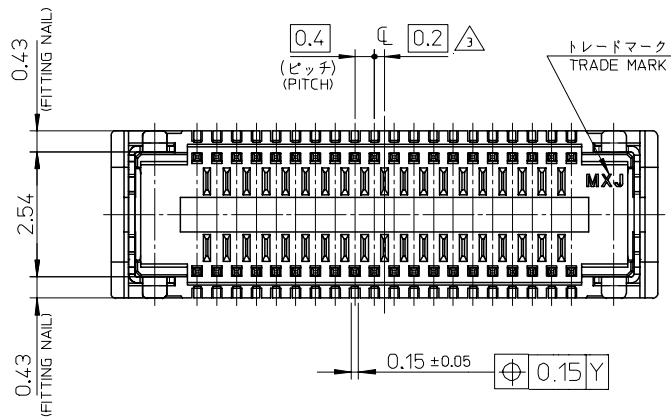
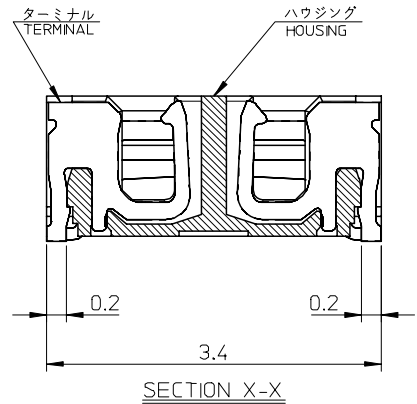
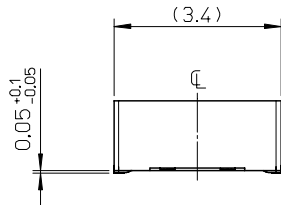
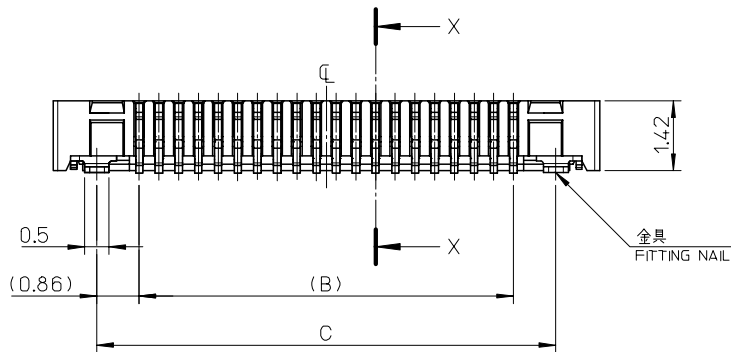
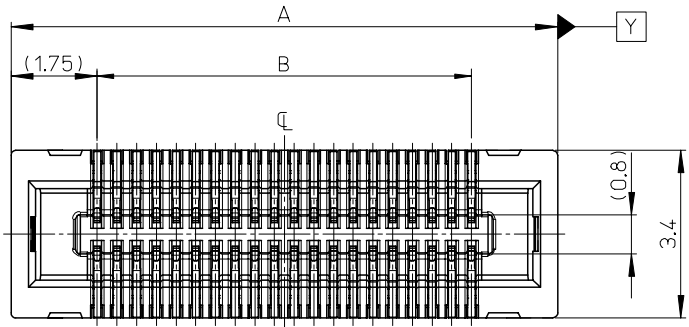
E

D

C

B

A



RELEASED	DESCRIPTION
EC NO: J2008-1398	2007/10/19
DRWN: YNUKANOBU	2007/10/19
CHKD: MSASAO	2007/10/19
APPR: MSASAO	2007/10/19
0	REV

GENERAL TOLERANCES (UNLESS SPECIFIED)	
10 UNDER	± 0.2
10 OVER 30 UNDER	± 0.25
30 OVER	± 0.3
ANGULAR	± 1 °
DRAFT WHERE APPLICABLE MUST REMAIN WITHIN DIMENSIONS	

DIMENSION STYLE	
MM ONLY	
DRAWN BY	DATE
YNUKANOBU	2007/10/19
CHECKED BY	DATE
MSASAO	2007/10/19
APPROVED BY	DATE
MSASAO	2007/10/19
MATERIAL NO.	
SEE CHART	
SIZE	
A3	

SCALE	DESIGN UNITS	THIRD ANGLE PROJECTION	
---	METRIC	☉ □	
TITLE		SHEET NO.	
0.4 B-TO-B CONN.HGT=2.5 REC HSG ASSY		1 OF 2	
MOLEX MOLEX INCORPORATED		DOCUMENT NO.	
SD-501635-003		SD-501635-003	

21.32	19.6	23.1	501635-1029	100
C	B	A	MATERIAL No.	CKT.
			MODEL No. : 501635-**-29	

10 9 8 7 6 5 4 3 2 1

F

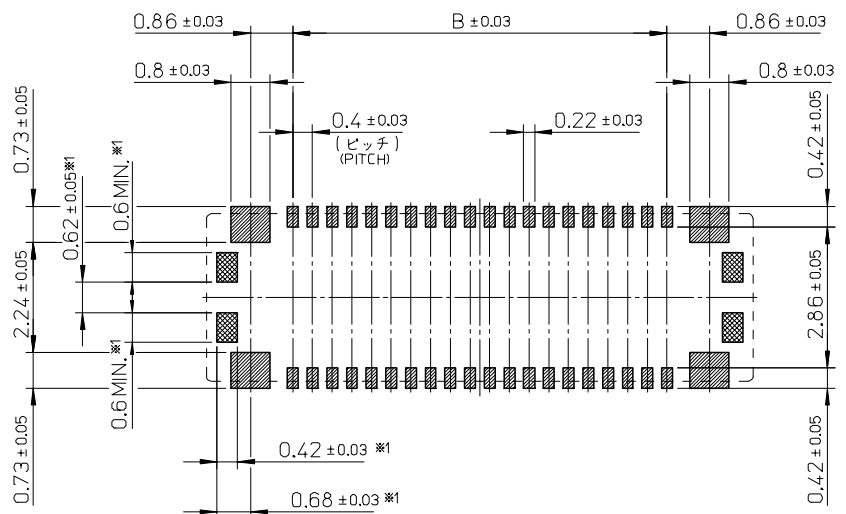
E

D

C

B

A



※1 : 補強金具部と同一回路以外のパターン(配線)引き回し禁止範囲を示す。

参考基板レイアウト(マウント面)
P.C.BOARD PATTERN DIMENSION, (REFERENCE)
(MOUNTING AREA)

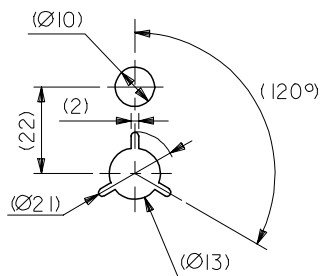
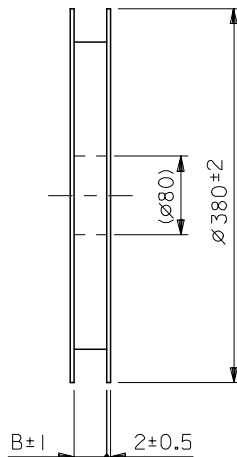
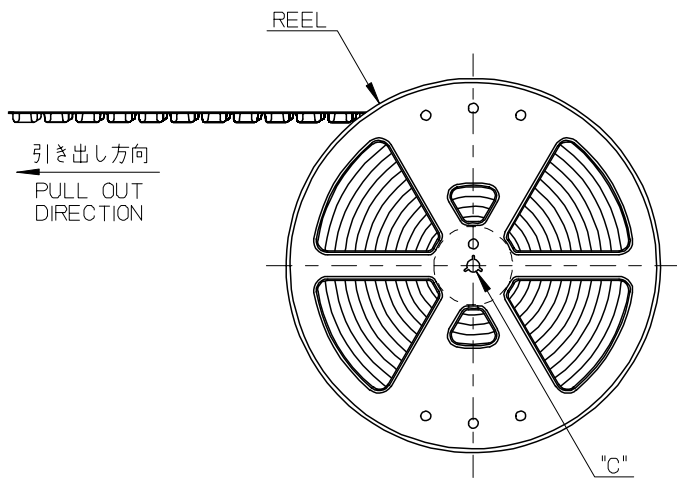
注記 NOTES

1. 使用材料 MATERIAL
 ハウジング: 液晶ポリマー (LCP) ガラス充填 UL94V-0 (黒)
 HOUSING: LIQUID CRYSTAL POLYMER (GLASS FILLED) UL94V-0 (COLOR:BLACK)
 ターミナル: りん青銅 (t=0.15)
 TERMINAL: PHOSPHOR BRONZE (t=0.15)
 金具: コルソン銅 (t=0.12)
 FITTING NAIL: CORSON TYPE COPPER ALLOY (t=0.12)
2. メッキ仕様 PLATING
 ターミナル TERMINAL
 金メッキ 0.2 マイクロメートル以上 (コンタクト部)
 GOLD 0.2 MICROMETER MINIMUM (CONTACT AREA)
 金メッキ 0.4 マイクロメートル以下 (テール部)
 GOLD 0.4 MICROMETER MAXIMUM (TAIL AREA)
 下地メッキ: ニッケルメッキ 1.5 マイクロメートル以上
 UNDER PLATING: NICKEL 1.5 MICROMETER MINIMUM
 ※コンタクト部とテール部はニッケルメッキによって分断されている金メッキです。
 DIVIDE INTO PARTS THE GOLD PLATING OF THE CONTACT AND THE TAIL PART BY THE NICKEL PLATING.
 金具 FITTING NAIL
 錫メッキ 1.0 マイクロメートル以上
 TIN 1.0 MICROMETER MINIMUM
 下地メッキ: ニッケルメッキ 1.0 マイクロメートル以上
 UNDER PLATING: NICKEL 1.0 MICROMETER MINIMUM
3. (全極数 / 2) = 偶数の場合に適用。
 APPLY FOR (CIRCUIT / 2) = EVEN.
4. 嵌合相手: 502396 シリーズ
 MATE WITH: 502396 SERIES.
5. テールの平坦度は 0.08 以下、
 テール及び、金具の平坦度は 0.1 以下とする。
 TAIL COPLANARITY TO BE 0.08 MAXIMUM
 TAIL AND FITTING NAIL COPLANARITY TO BE 0.1 MAXIMUM.
6. 本製品はネイルに錫メッキを使用している為、外観に摺動痕がつく場合が御座いますが、製品性能に影響ありません。
 THE WOULD OF FRICTION MIGHT ADHERE TO EXTERNALS BECAUSE THE TIN PLATING IS USED FOR NAIL. BUT THERE IS NO INFLUENCE IN THE PRODUCT PERFORMANCE.
7. ELV 及び、RoHS 適合品
 ELV AND RoHS COMPLIANT.

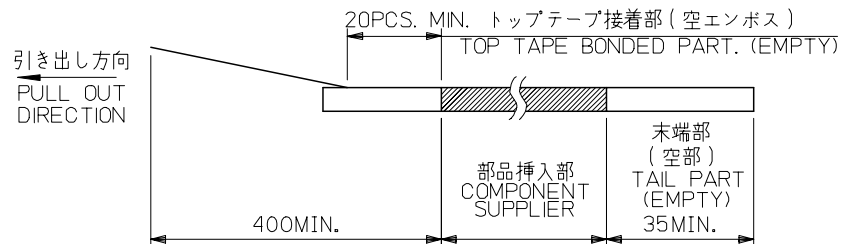
RELEASED EC NO: J2008-1398 DRWN: YNUKANOBU 2007/10/19 CHKD: MSASAO 2007/10/19 APPR: MSASAO 2007/10/19 REV 0	GENERAL TOLERANCES (UNLESS SPECIFIED)		DIMENSION STYLE MM ONLY		SCALE ---	DESIGN UNITS METRIC	THIRD ANGLE PROJECTION	
	10 UNDER	± 0.2	DRAWN BY YNUKANOBU	DATE 2007/10/19	TITLE 0.4 B-TO-B CONN.HGT=2.5 REC HSG ASSY			
	10 OVER 30 UNDER	± 0.25	CHECKED BY MSASAO	DATE 2007/10/19				
	30 OVER	± 0.3	APPROVED BY MSASAO	DATE 2007/10/19	MOLEX INCORPORATED			
	ANGULAR	± 1 °	MATERIAL NO. SEE CHART					
DRAFT WHERE APPLICABLE MUST REMAIN WITHIN DIMENSIONS		SIZE A3	THIS DRAWING CONTAINS INFORMATION THAT IS PROPRIETARY TO MOLEX INCORPORATED AND SHOULD NOT BE USED WITHOUT WRITTEN PERMISSION					

注記 NOTES

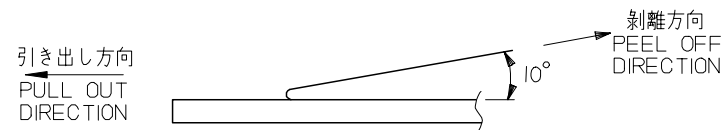
- 製品詳細寸法については製品単体図面を参照下さい。
RE DETAILED DIMENSION, SEE PRODUCT DRAWING.
- 梱包数量: 5000 個/リール
NUMBER OF CONNECTORS: 5000PCS/REEL
- リードテープ長さ LEAD TAPE LENGTH



DETAIL "C"



- トップテープの剥離強度: 0.1N~1.3N(10gf~130gf)
(剥離方向は下図参照)
尚、本規格値は出荷時に適用。(但し、輸送時に剥離が発生しないこと。)
PEELING OFF FORCE OF TOP TAPE: 0.1N~1.3N(10gf~130gf)
(PEELING DIRECTION AS SHOWN IN FOLLOWING FIG.)
THIS REQUIREMENT SHOULD BE APPLIED AT SHIPMENT.
PEEL OFF SHOULD NOT BE ALLOWED, DURING TRANSPORTION.



- 材料 MATERIAL
キャリアテープ (CARRIER TAPE): ポリスチレン (POLYSTYRENE)
トップテープ (TOP TAPE): PET, PE, PEF
リール (REEL): ポリスチレン (PS) <リサイクル材を含む>
POLYSTYRENE (PS) <RECYCLE MATERIAL CONTAINED>
- ELV 及び、RoHS 適合品
ELV AND RoHS COMPLIANT.

MODEL NO. 501635-**20

RELEASED EC NO: J2008-1398 DRWN: YNUKANOBU 2007/10/19 CHKD: MSASAO 2007/10/19 APPR: MSASAO 2007/10/19	GENERAL TOLERANCES (UNLESS SPECIFIED)		DIMENSION STYLE MM ONLY		SCALE ---	DESIGN UNITS METRIC	THIRD ANGLE PROJECTION
	10 UNDER	± 0.2	DRAWN BY YNUKANOBU	DATE 2007/10/19	TITLE 0.4 B-TO-B CONN.HGT=2.5 REC ASSY EMBSTP PKG		
	10 OVER 30 UNDER	± 0.25	CHECKED BY MSASAO	DATE 2007/10/19	APPROVED BY MSASAO 2007/10/19		
	30 OVER	± 0.3	APPROVED BY MSASAO 2007/10/19		MOLEX INCORPORATED		
	ANGULAR	± 1 °	MATERIAL NO. SEE SHEET 2		DOCUMENT NO. SD-501635-004	SHEET NO. 1 OF 2	
0	DRAFT WHERE APPLICABLE MUST REMAIN WITHIN DIMENSIONS		SIZE A3		THIS DRAWING CONTAINS INFORMATION THAT IS PROPRIETARY TO MOLEX INCORPORATED AND SHOULD NOT BE USED WITHOUT WRITTEN PERMISSION		

10 9 8 7 6 5 4 3 2 1

F

E

D

C

B

A

F

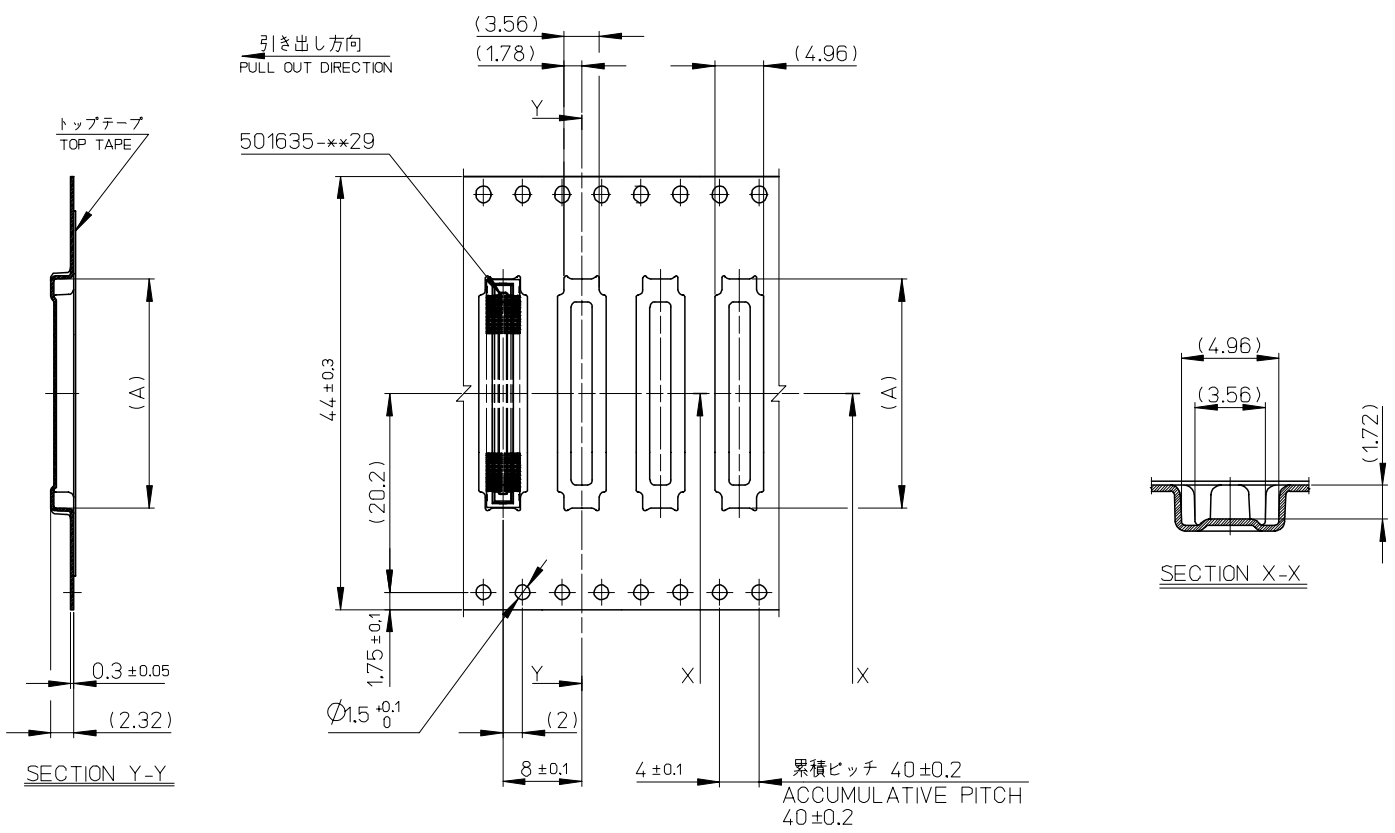
E

D

C

B

A



SECTION Y-Y

SECTION X-X

44mm幅キャリアテープ
44mm WIDTH CARRIER TAPE

44	45.5	23.26	501635-1020	100
キャリアテープ幅 CARRIER TAPE WIDTH	B	(A)	MATERIAL No.	CKT.
			MODEL No.	501635-**20

RELEASED EC NO: J2008-1398 DRWN: YNUKANOBU 2007/10/19 CHKD: MSASAO 2007/10/19 APPR: MSASAO 2007/10/19	GENERAL TOLERANCES (UNLESS SPECIFIED)		DIMENSION STYLE	SCALE	DESIGN UNITS	THIRD ANGLE PROJECTION	
			MM ONLY	---	METRIC		
	10 UNDER	±0.2	DRAWN BY	DATE	TITLE	0.4 B-TO-B CONN.HGT=2.5 REC ASSY EMBSTP PKG	
	10 OVER 30 UNDER	±0.25	YNUKANOBU	2007/10/19			
	30 OVER	±0.3	CHECKED BY	DATE			
ANGULAR	±1 °	MSASAO	2007/10/19	APPROVED BY	DATE		
		MSASAO	2007/10/19	MOLEX	MOLEX INCORPORATED		
		MATERIAL NO.	SEE CHART	DOCUMENT NO.	SD-501635-004	SHEET NO.	
		SIZE	A3	THIS DRAWING CONTAINS INFORMATION THAT IS PROPRIETARY TO MOLEX INCORPORATED AND SHOULD NOT BE USED WITHOUT WRITTEN PERMISSION		2 OF 2	