

PLEASE CHECK WWW.MOLEX.COM FOR LATEST PART INFORMATION

Part Number: [0737760101](#)
Status: **Active**
Description: 0.80mm (.031") Pitch Ultra+™ VHDCI Receptacle, Vertical, SMT

Documents:

[3D Model](#) [Product Specification PS-71425-9999 \(PDF\)](#)
[Test Summary \(PDF\)](#) [RoHS Certificate of Compliance \(PDF\)](#)
[Drawing \(PDF\)](#)

Agency Certification

CSA LR19980
 UL E29179

General

Product Family I/O Connectors
 Series [73776](#)
 Application Wire-to-Board
 Component Type Receptacle
 Product Name SCSI+, VHDCI
 Type N/A

Physical

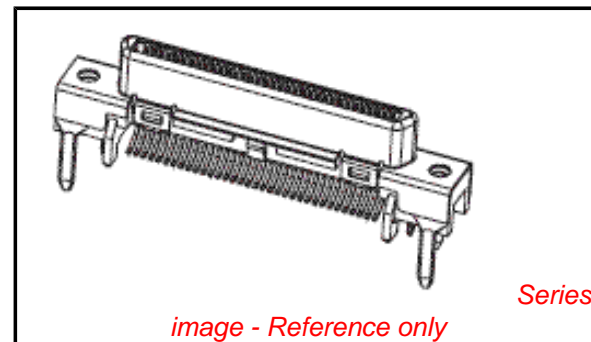
Circuits (Loaded) 68
 Circuits (maximum) 68
 Color - Resin Black
 Durability (mating cycles max) 500
 Flammability 94V-0
 Lock to Mating Part Yes
 Material - Plating Mating Gold
 Material - Plating Termination Tin
 Material - Resin High Temperature Thermoplastic
 Orientation Vertical
 PCB Retention N/A
 PCB Thickness Recommended (in) 0.093 In
 PCB Thickness Recommended (mm) 2.40 mm
 Packaging Type Tube
 Panel Mount Yes
 Pitch - Mating Interface (in) 0.031 In
 Pitch - Mating Interface (mm) 0.80 mm
 Plating min: Mating (µin) 2
 Plating min: Mating (µm) 0.05
 Plating min: Termination (µin) 76.4
 Plating min: Termination (µm) 1.91
 Polarized to Mating Part Yes
 Surface Mount Compatible (SMC) N/A
 Temperature Range - Operating -55°C to +85°C
 Termination Interface: Style Through Hole
 Wire Size AWG N/A

Electrical

Current - Maximum per Contact 0.5A
 Shielded Yes
 Voltage - Maximum 30V

Solder Process Data

Duration at Max. Process Temperature (seconds) 40
 Lead-free Process Capability Reflow Capable (SMT only)



EU RoHS

RoHS Compliant by Exemption

REACH SVHC

Not Reviewed

Halogen-Free

Status

Not Reviewed

Need more information on product environmental compliance?

Email productcompliance@molex.com
 For a multiple part number RoHS Certificate of Compliance, [click here](#)

Please visit the [Contact Us](#) section for any non-product compliance questions.

China RoHS



Search Parts in this Series

[73776Series](#)

Mates With

Ultra+™ VHDCI Plug Kit 71425

Max. Cycles at Max. Process Temperature	3
Process Temperature max. C	245

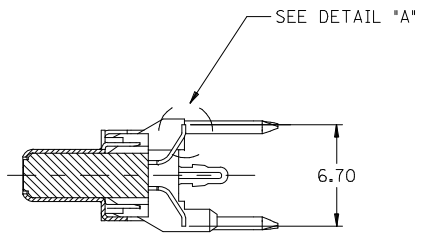
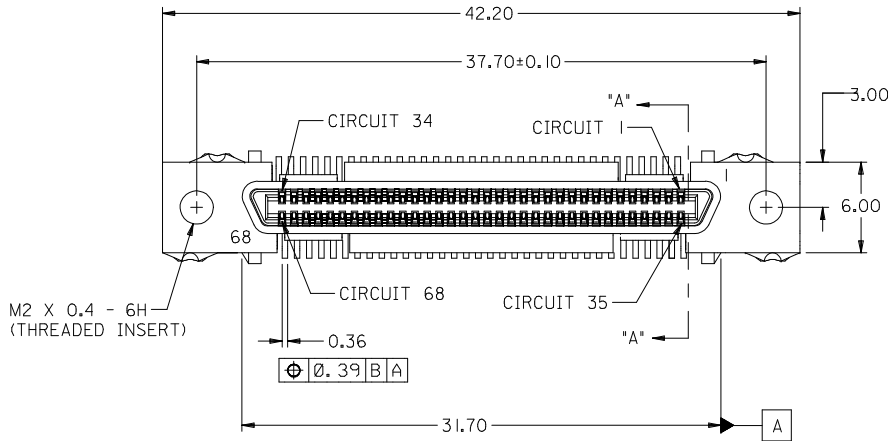
Material Info

Reference - Drawing Numbers

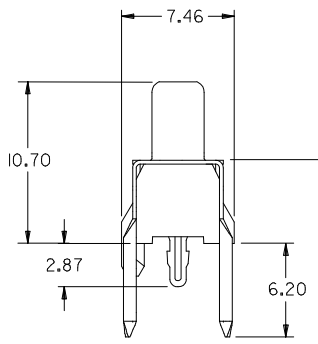
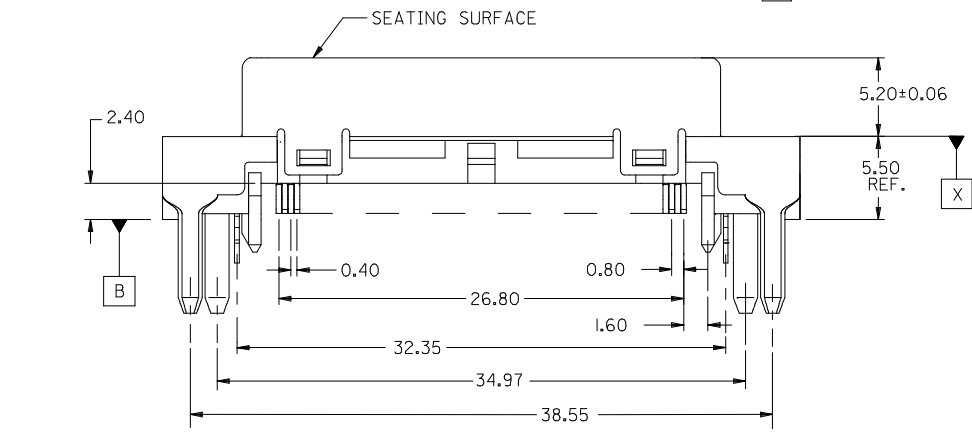
Packaging Specification	PK-70873-0824
Product Specification	PS-71425-9999
Sales Drawing	SD-73776-002
Test Summary	TS-71425-9999

This document was generated on 05/20/2010

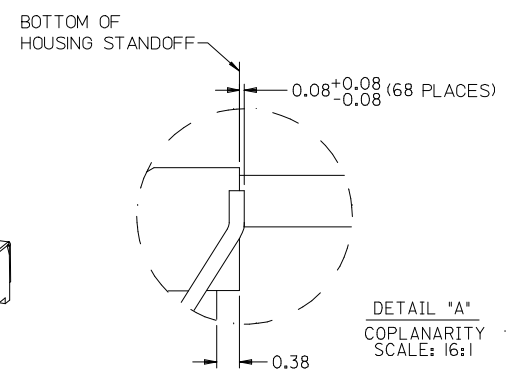
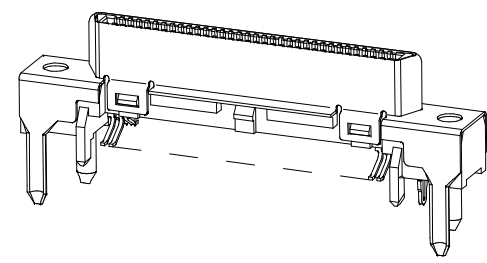
PLEASE CHECK WWW.MOLEX.COM FOR LATEST PART INFORMATION



SECTION "A-A"



CLASS B
SEE NOTE 8
CLASS C



- NOTES:**
- MATERIALS:**
HOUSING: HIGH TEMP THERMOPLASTIC, COLOR: BLACK, UL 94V-0.
TERMINAL: PHOSPHOR BRONZE
SHIELD: STEEL
THREADED INSERT: BRASS
SCREWLOCK: STEEL
 - FINISH:**
TERMINAL: 0.05-0.25 MICROMETER GOLD FLASH IN OVER 0.75 MICROMETER MINIMUM PALLADIUM NICKEL IN CONTACT AREA; 1.87 MICROMETER MINIMUM TIN IN TAIL AREA; ALL OVER 1.25 MICROMETER MINIMUM NICKEL.
SHIELD: 3.81 MICROMETERS MINIMUM BRIGHT TIN OVER 1.27 MICROMETERS MINIMUM NICKEL OVER COPPER FLASH (OPTIONAL).
THREADED INSERT: NICKEL
SCREWLOCK: NICKEL
 - APPLICABLE PRODUCT SPEC: PS-71425-9999.
 - PACKAGING: TUBE PACK PER PK-70873-0824.
 - APPLICABLE STANDARDS: EIA-3652.
 - MATING ASSEMBLY: 71425-0001 PLUG.
 - DATE CODE: YEAR AND WEEK PER EIA -476-A.
 - PRODUCT COMPLIES WITH COSMETIC SPECIFICATION PS-45499-002. SEE FIGURE ABOVE FOR SURFACE CLASSIFICATIONS.

CLOSE OFF ENDS EC NO: UCP2010-0048 DRWIN: BARKER 2009/09/10 CHKD: MORGAN 2009/09/10 APPR: MILLER 2009/09/10	QUALITY SYMBOLS 	GENERAL TOLERANCES (UNLESS SPECIFIED)		DIMENSION STYLE MM ONLY	SCALE INCH	DESIGN UNITS INCH	THIRD ANGLE PROJECTION	
		4 PLACES ± --- ± ---	DRAWN BY DBOWEN	DATE 1997/04/11	TITLE SALES ASSY VHDCI 0.8MM PITCH 68 CKT VERTICAL SMT RECEPTACLE			
		3 PLACES ± --- ± ---	CHECKED BY SSAMPSON	DATE 1997/04/11	MATERIAL NO. SEE TABLE		DOCUMENT NO. SD-73776-002	SHEET NO. 1 OF 2
		2 PLACES ± 0.25 ± --- 1 PLACE ± --- ± --- ANGULAR ± 1/2°	APPROVED BY DBOWEN	DATE 1997/04/11	THIS DRAWING CONTAINS INFORMATION THAT IS PROPRIETARY TO MOLEX INCORPORATED AND SHOULD NOT BE USED WITHOUT WRITTEN PERMISSION			

