

PLEASE CHECK WWW.MOLEX.COM FOR LATEST PART INFORMATION

Part Number: [0737760201](#)
Status: **Active**
Description: 0.80mm (.031") Pitch Ultra+™ VHDCI Receptacle, Vertical, SMT

Documents:

[3D Model](#) [Product Specification PS-71425-9999 \(PDF\)](#)
[Test Summary \(PDF\)](#) [RoHS Certificate of Compliance \(PDF\)](#)
[Drawing \(PDF\)](#)

Agency Certification

CSA LR19980
 UL E29179

General

Product Family I/O Connectors
 Series [73776](#)
 Application Wire-to-Board
 Component Type Receptacle
 Product Name SCSI+, VHDCI
 Type N/A

Physical

Circuits (Loaded) 68
 Circuits (maximum) 68
 Color - Resin Black
 Durability (mating cycles max) 500
 Flammability 94V-0
 Lock to Mating Part Yes
 Material - Plating Mating Gold
 Material - Plating Termination Tin
 Material - Resin High Temperature Thermoplastic
 Orientation Vertical
 PCB Retention N/A
 PCB Thickness Recommended (in) 0.093 In
 PCB Thickness Recommended (mm) 2.40 mm
 Packaging Type Tube
 Panel Mount Yes
 Pitch - Mating Interface (in) 0.031 In
 Pitch - Mating Interface (mm) 0.80 mm
 Plating min: Mating (µin) 2
 Plating min: Mating (µm) 0.05
 Plating min: Termination (µin) 76.4
 Plating min: Termination (µm) 1.91
 Polarized to Mating Part Yes
 Surface Mount Compatible (SMC) N/A
 Temperature Range - Operating -55°C to +85°C
 Termination Interface: Style Through Hole
 Wire Size AWG N/A

Electrical

Current - Maximum per Contact 0.5A
 Shielded Yes
 Voltage - Maximum 30V

Solder Process Data

Duration at Max. Process Temperature (seconds) 40
 Lead-free Process Capability Reflow Capable (SMT only)

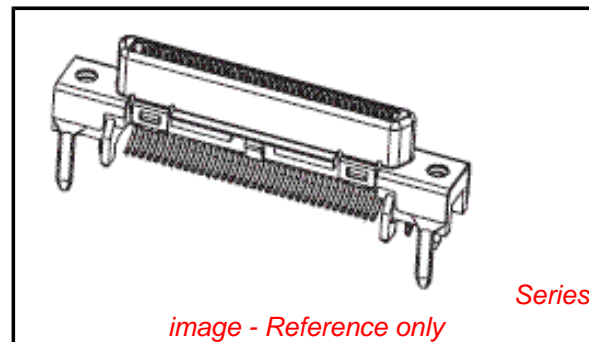


image - Reference only

EU RoHS

RoHS Compliant by Exemption

REACH SVHC

Not Reviewed

Halogen-Free

Status

Not Reviewed

Need more information on product environmental compliance?

Email productcompliance@molex.com
 For a multiple part number RoHS Certificate of Compliance, [click here](#)

Please visit the [Contact Us](#) section for any non-product compliance questions.

China RoHS



Search Parts in this Series

[73776Series](#)

Mates With

Ultra+™ VHDCI Plug Kit 71425

Max. Cycles at Max. Process Temperature	3
Process Temperature max. C	245

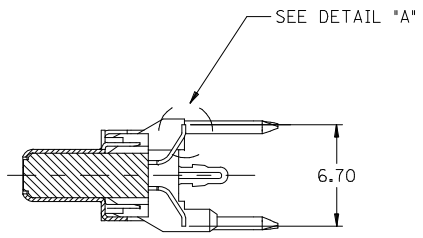
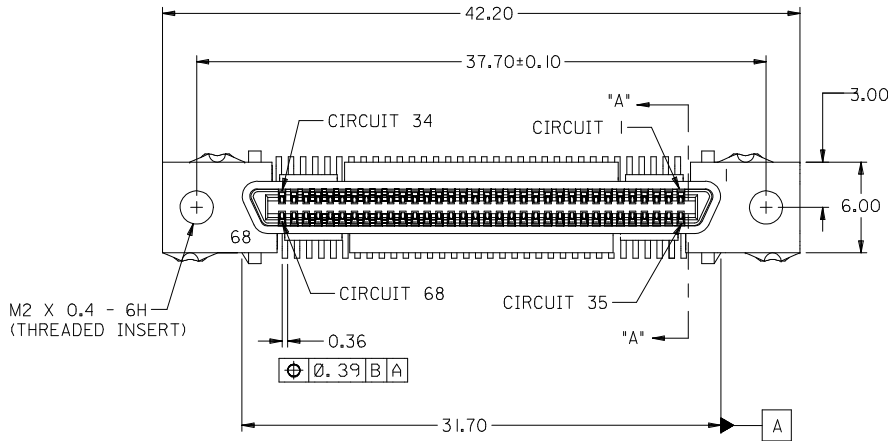
Material Info

Reference - Drawing Numbers

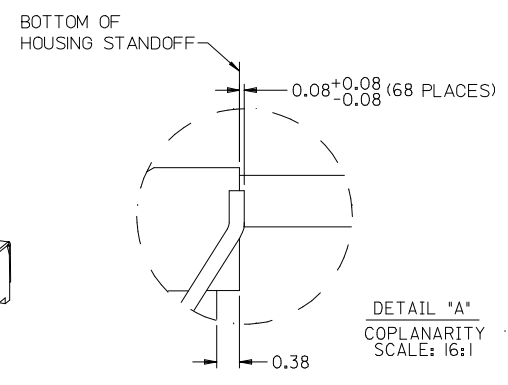
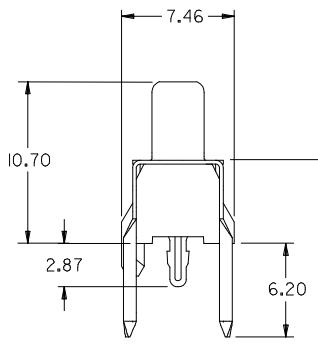
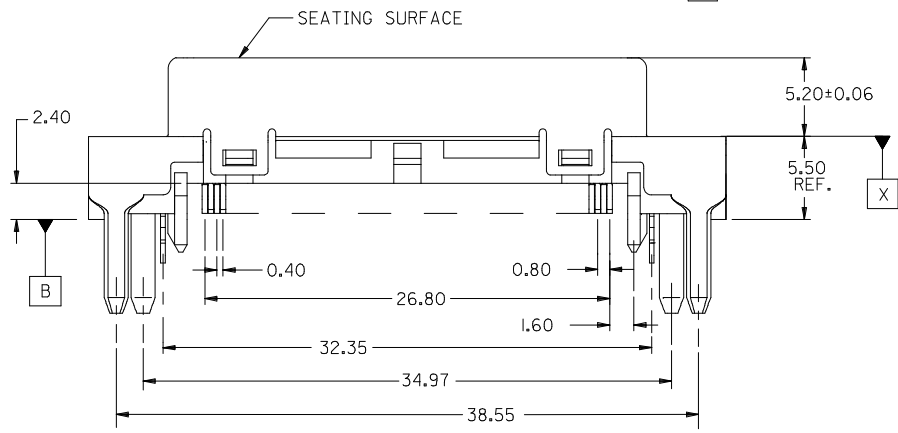
Product Specification	PS-71425-9999
Sales Drawing	SD-73776-002

This document was generated on 04/08/2010

PLEASE CHECK WWW.MOLEX.COM FOR LATEST PART INFORMATION



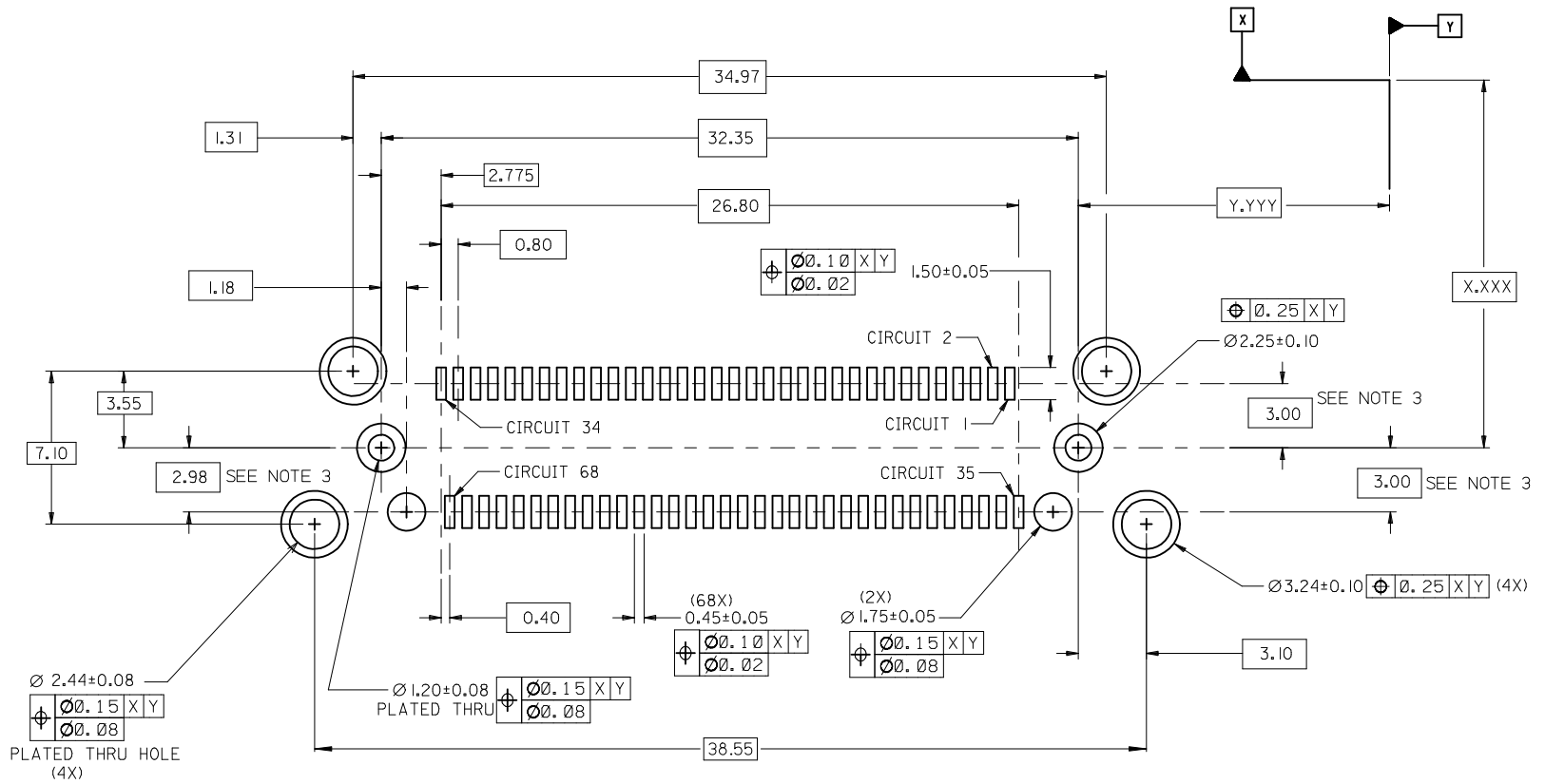
SECTION "A-A"



NOTES:

1. MATERIALS:
 HOUSING: HIGH TEMP THERMOPLASTIC, COLOR: BLACK, UL 94V-0.
 TERMINAL: PHOSPHOR BRONZE
 SHIELD: STEEL
 THREADED INSERT: BRASS
 SCREWLOCK: STEEL
2. FINISH:
 TERMINAL: 0.05-0.25 MICROMETER GOLD FLASH IN OVER 0.75 MICROMETER MINIMUM PALLADIUM NICKEL IN CONTACT AREA; 1.87 MICROMETER MINIMUM TIN IN TAIL AREA; ALL OVER 1.25 MICROMETER MINIMUM NICKEL.
 SHIELD: 3.81 MICROMETERS MINIMUM BRIGHT TIN OVER 1.27 MICROMETERS MINIMUM NICKEL OVER COPPER FLASH (OPTIONAL).
 THREADED INSERT: NICKEL
 SCREWLOCK: NICKEL
3. APPLICABLE PRODUCT SPEC: PS-71425-9999.
4. PACKAGING: TUBE PACK PER PK-70873-0824.
5. APPLICABLE STANDARDS: EIA-3652.
6. MATING ASSEMBLY: 71425-0001 PLUG.
7. DATE CODE: YEAR AND WEEK PER EIA -476-A.
8. PRODUCT COMPLIES WITH COSMETIC SPECIFICATION PS-45499-002. SEE FIGURE ABOVE FOR SURFACE CLASSIFICATIONS.

CLOSE OFF ENDS EC NO: UCP2010-0048 DRWIN: BARKER 2009/09/10 CHKD: MORGAN 2009/09/10 APPR: MILLER 2009/09/10	QUALITY SYMBOLS ▽=0 ▽=0	GENERAL TOLERANCES (UNLESS SPECIFIED)		DIMENSION STYLE MM ONLY		SCALE	DESIGN UNITS	THIRD ANGLE PROJECTION		
				mm	INCH		INCH	SALES ASSY VHDCI 0.8MM PITCH 68 CKT VERTICAL SMT RECEPTACLE		
		4 PLACES ± ---	± ---			DRAWN BY	DATE	MOLEX INCORPORATED		
		3 PLACES ± ---	± ---			DBOWEN	1997/04/11	DOCUMENT NO. SD-73776-002 SHEET NO. 1 OF 2		
		2 PLACES ± 0.25	± ---			THIS DRAWING CONTAINS INFORMATION THAT IS PROPRIETARY TO MOLEX INCORPORATED AND SHOULD NOT BE USED WITHOUT WRITTEN PERMISSION				
		1 PLACE ± ---	± ---							
		ANGULAR ± 1/2°		SEE TABLE						
DRAFT WHERE APPLICABLE MUST REMAIN WITHIN DIMENSIONS										



PCB LAYOUT (COMPONENT SIDE)

NOTES:

1. FOR FULL MATE WITH PLUG, PANEL THICKNESS SHOULD NOT EXCEED 1.00MM

FUNCTIONAL MATING WITH MOLEX PLUG CAN STILL BE MAINTAINED WITH PANELS AS THICK AS 2.5mm (BUT PLUG AND RECEPTACLE WILL NOT BE FULLY MATED).

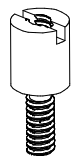
2. GUIDELINES FOR CHOOSING A MOLEX SCREWLOCK:

PANEL THICKNESS	RECOMMENDED SCREWLOCK
LESS THAN OR EQUAL TO 1.00 MM	71433-0002
1.01 TO 2.15 MM	71433-0010

3. DIMENSION 2.98 IS FROM THE CENTER OF THE .120 DIAMETER HOLES TO THE CENTER OF THE 1.75 DIAMETER HOLES.

DIMENSION 3.00 IS FROM THE CENTER OF THE 1.20 DIAMETER HOLES TO THE CENTER OF THE SOLDER PADS.

MATERIAL NO.	DESCRIPTION
73776-0101	WITHOUT SCREWLOCK KIT
73776-0201	WITH SCREWLOCK KIT 71433-0002 PER SD-71433-005



OPTIONAL SCREWLOCK P/N 71433-0002

SEE SHEET 1 EC NO: UCP2010-0048 DRWN: BARKER 2009/09/10 CHKD: MORGAN 2009/09/10 APPR: SWILLER 2009/09/10	QUALITY SYMBOLS ▽=0 ▽=0	GENERAL TOLERANCES (UNLESS SPECIFIED) <table border="1"> <thead> <tr> <th></th> <th>mm</th> <th>INCH</th> </tr> </thead> <tbody> <tr> <td>4 PLACES</td> <td>± .15</td> <td>± .006</td> </tr> <tr> <td>3 PLACES</td> <td>± .10</td> <td>± .004</td> </tr> <tr> <td>2 PLACES</td> <td>± .075</td> <td>± .003</td> </tr> <tr> <td>1 PLACE</td> <td>± .05</td> <td>± .002</td> </tr> </tbody> </table>		mm	INCH	4 PLACES	± .15	± .006	3 PLACES	± .10	± .004	2 PLACES	± .075	± .003	1 PLACE	± .05	± .002	DIMENSION STYLE MM ONLY	SCALE 1:1	DESIGN UNITS INCH	THIRD ANGLE PROJECTION
		mm	INCH																		
	4 PLACES	± .15	± .006																		
	3 PLACES	± .10	± .004																		
2 PLACES	± .075	± .003																			
1 PLACE	± .05	± .002																			
DRAWN BY DBOWEN	DATE 1997/04/11	TITLE SALES ASSY VHDCI 0.8MM PITCH 68 CKT VERTICAL SMT RECEPTACLE	MOLEX INCORPORATED																		
CHECKED BY SSAMPSON	DATE 1997/04/11																				
APPROVED BY DBOWEN	DATE 1997/04/11	MATERIAL NO. SEE TABLE	DOCUMENT NO. SD-73776-002	SHEET NO. 2 OF 2	THIS DRAWING CONTAINS INFORMATION THAT IS PROPRIETARY TO MOLEX INCORPORATED AND SHOULD NOT BE USED WITHOUT WRITTEN PERMISSION																