

PLEASE CHECK WWW.MOLEX.COM FOR LATEST PART INFORMATION

Part Number: [0444751421](#)
Status: **Active**
Description: 4.20mm (.165") Pitch Mini-Fit, HCS™ Receptacle Header, Dual Row, Vertical, Blind Mating, with Snap-in Plastic Pegs, 14 Circuits

Documents:

[3D Model](#) [Product Specification PS-44476-001 \(PDF\)](#)
[Drawing \(PDF\)](#) [RoHS Certificate of Compliance \(PDF\)](#)

Agency Certification

CSA LR19980
 UL E29179

General

Product Family PCB Receptacles
 Series [44475](#)
 Application Board-to-Board, Wire-to-Board
 Comments Solder Type|With Pegs
 Product Name Mini-Fit HCS™

Physical

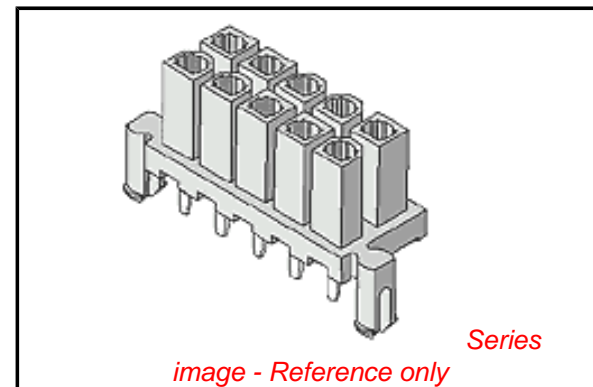
Circuits (Loaded) 14
 Color - Resin Natural (White)
 Durability (mating cycles max) 30
 Flammability 94V-0
 Glow-Wire Compliant No
 Material - Metal Copper
 Material - Plating Mating Tin
 Material - Plating Termination Tin
 Material - Resin Nylon
 Number of Rows 2
 Orientation Vertical
 PCB Locator Yes
 PCB Retention Yes
 PCB Thickness Recommended (in) 0.070 In
 PCB Thickness Recommended (mm) 1.80 mm
 Packaging Type Tray
 Pitch - Mating Interface (in) 0.165 In
 Pitch - Mating Interface (mm) 4.20 mm
 Plating min: Mating (µin) 100
 Plating min: Mating (µm) 2.50
 Plating min: Termination (µin) 100
 Plating min: Termination (µm) 2.50
 Polarized to PCB Yes
 Surface Mount Compatible (SMC) No
 Temperature Range - Operating -40°C to +105°C
 Termination Interface: Style Through Hole

Electrical

Current - Maximum per Contact 11A
 Voltage - Maximum 600V

Solder Process Data

Duration at Max. Process Temperature (seconds) 5
 Lead-free Process Capability Wave Capable (TH only)
 Max. Cycles at Max. Process Temperature 1
 Process Temperature max. C 240



EU RoHS

ELV and RoHS Compliant
REACH SVHC
 Not Reviewed
Halogen-Free Status

China RoHS



Need more information on product environmental compliance?

Email productcompliance@molex.com
 For a multiple part number RoHS Certificate of Compliance, [click here](#)

Please visit the [Contact Us](#) section for any non-product compliance questions.

Search Parts in this Series

[44475Series](#)

Mates With

[44068](#) , [42404](#) , [44474](#) , [43810](#) , [42475](#)

Material Info

Reference - Drawing Numbers

Product Specification

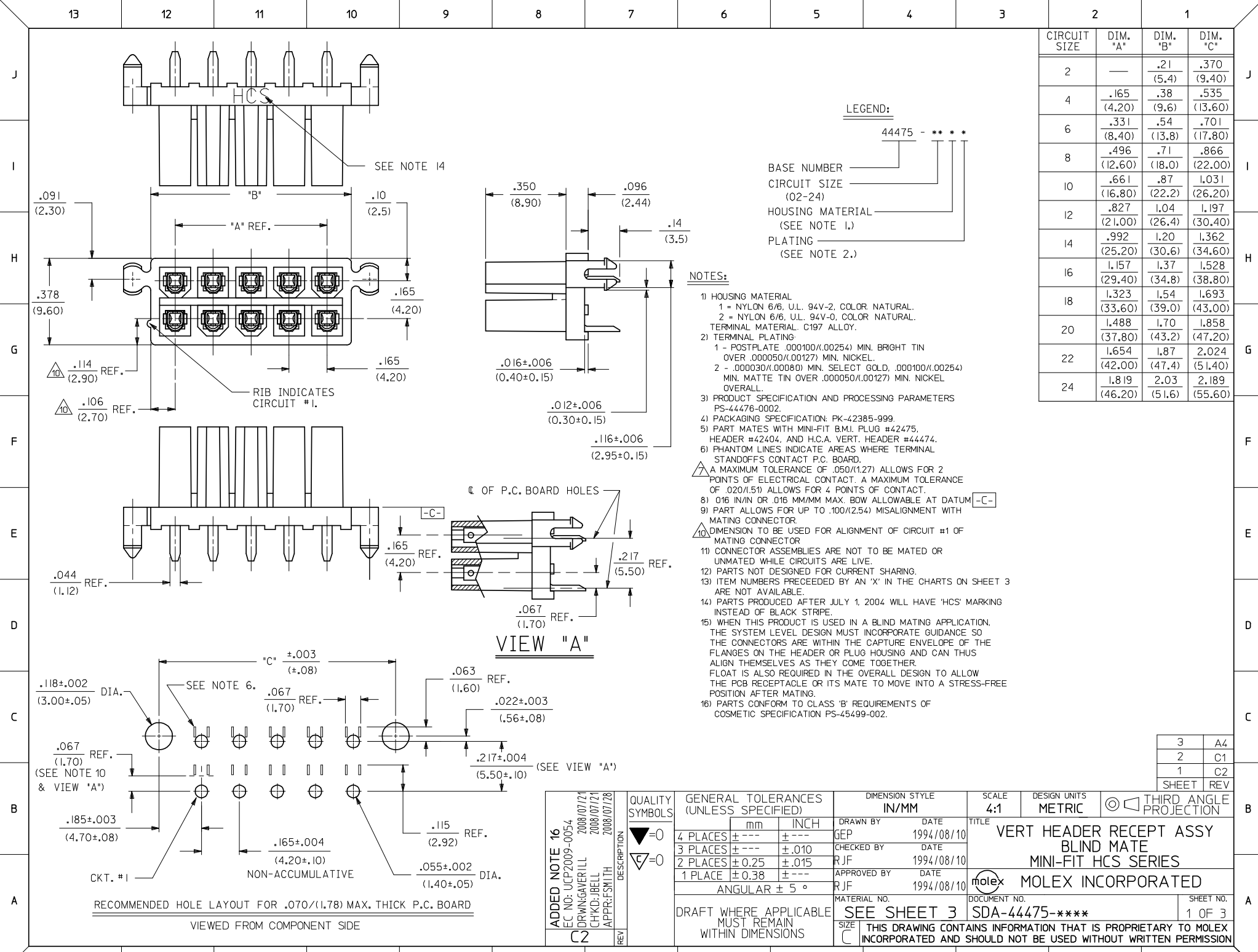
Sales Drawing

PS-44476-001, RPS-44476-001

SDA-44475-****

This document was generated on 04/09/2010

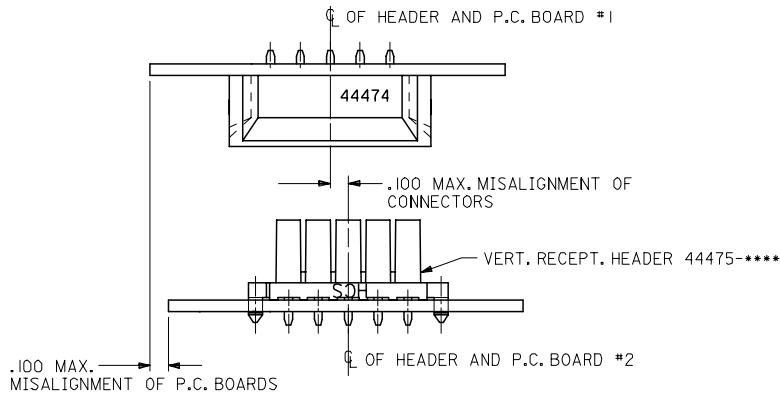
PLEASE CHECK WWW.MOLEX.COM FOR LATEST PART INFORMATION



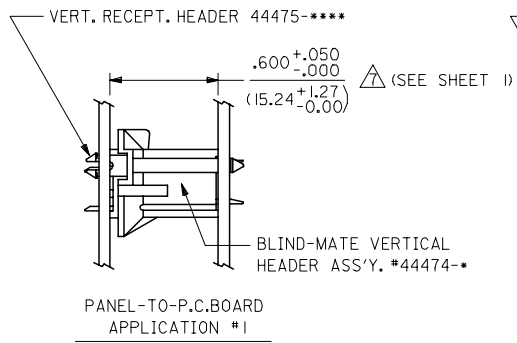
CIRCUIT SIZE	DIM. "A"	DIM. "B"	DIM. "C"
2	—	.21 (5.4)	.370 (9.40)
4	.165 (4.20)	.38 (9.6)	.535 (13.60)
6	.331 (8.40)	.54 (13.8)	.701 (17.80)
8	.496 (12.60)	.71 (18.0)	.866 (22.00)
10	.661 (16.80)	.87 (22.2)	1.031 (26.20)
12	.827 (21.00)	1.04 (26.4)	1.197 (30.40)
14	.992 (25.20)	1.20 (30.6)	1.362 (34.60)
16	1.157 (29.40)	1.37 (34.8)	1.528 (38.80)
18	1.323 (33.60)	1.54 (39.0)	1.693 (43.00)
20	1.488 (37.80)	1.70 (43.2)	1.858 (47.20)
22	1.654 (42.00)	1.87 (47.4)	2.024 (51.40)
24	1.819 (46.20)	2.03 (51.6)	2.189 (55.60)

3	A4
2	C1
1	C2
SHEET REV	

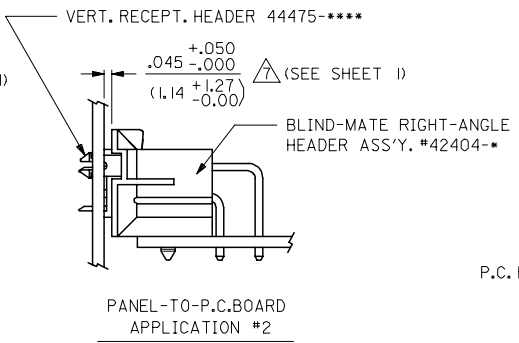
ADDED NOTE 16 EC NO: UCP2009-0054 DRWN: GAVERILL 2008/07/21 CHKD: JBELL 2008/07/21 APPR: FSMITH 2008/07/28	QUALITY SYMBOLS ▽=0 ▽=0	GENERAL TOLERANCES (UNLESS SPECIFIED) mm INCH	DIMENSION STYLE IN/MM	SCALE 4:1	DESIGN UNITS METRIC	THIRD ANGLE PROJECTION
		DRAWN BY GEP 1994/08/10	CHECKED BY R/JF 1994/08/10	APPROVED BY R/JF 1994/08/10	TITLE VERT HEADER RECEPT ASSY BLIND MATE MINI-FIT HCS SERIES	MOLEX INCORPORATED
DRAFT WHERE APPLICABLE MUST REMAIN WITHIN DIMENSIONS	MATERIAL NO. SEE SHEET 3	DOCUMENT NO. SDA-44475-****	THIS DRAWING CONTAINS INFORMATION THAT IS PROPRIETARY TO MOLEX INCORPORATED AND SHOULD NOT BE USED WITHOUT WRITTEN PERMISSION			



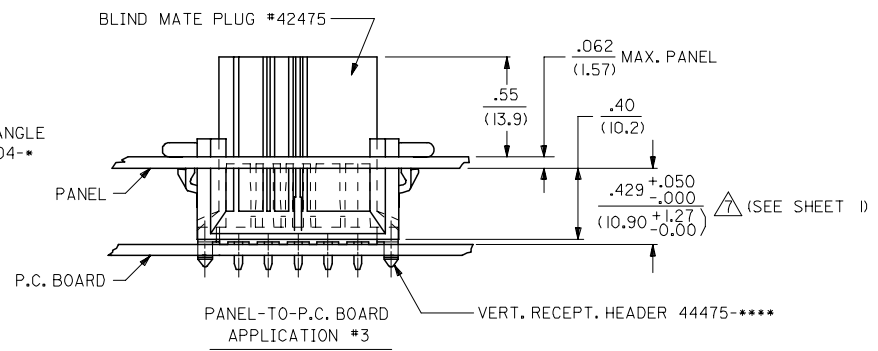
ALIGNMENT TOLERANCES FOR .100 MAX. BOARD-TO-BOARD MISALIGNMENT
(NO CONNECTOR FLOAT)



PANEL-TO-P.C. BOARD APPLICATION #1



PANEL-TO-P.C. BOARD APPLICATION #2



PANEL-TO-P.C. BOARD APPLICATION #3

SEE NOTE 15

SEE SHEET 1 FC NO: UCP2006-2258 DRWN:ADRAINOL 2006/04/11 CHKD:GOLGAR 2006/04/11 APPR:ICOMERCJ 2006/04/12 REV: C1	QUALITY SYMBOLS ▽=0 ▽=0	GENERAL TOLERANCES (UNLESS SPECIFIED)		DIMENSION STYLE IN/MM		SCALE 4:1	DESIGN UNITS METRIC	THIRD ANGLE PROJECTION	
		4 PLACES ± --- ± ---	3 PLACES ± --- ± .015	DRAWN BY GEP	DATE 1994/08/10	TITLE VERT HEADER RECEPT ASSY BLIND MATE MINI-FIT HCS SERIES			
		2 PLACES ± 0.38 ± ---	1 PLACE ± --- ± ---	CHECKED BY RJF	DATE 1994/08/10	APPROVED BY RJF			
		ANGULAR ±1/2°		MATERIAL NO. DATE 1994/08/10		MOLEX INCORPORATED			
DRAFT WHERE APPLICABLE MUST REMAIN WITHIN DIMENSIONS		SEE SHEET 3		DOCUMENT NO. SDA-44475-****			SHEET NO. 2 OF 3		
THIS DRAWING CONTAINS INFORMATION THAT IS PROPRIETARY TO MOLEX INCORPORATED AND SHOULD NOT BE USED WITHOUT WRITTEN PERMISSION									

	13	12	11	10	9	8	7	6	44475	4	3	2	1
	ITEM NUMBER	CKT. SIZE	HOUSING MATERIAL	PLATING (SEE NOTE 2)	ITEM NUMBER	CKT. SIZE	HOUSING MATERIAL	PLATING (SEE NOTE 2)					
X	44475-0211	2	94V-2	I	X	44475-0222	2	94V-0	2				
	↑ -0411	4	↑	↑	X	↑ -0422	4	↑	↑				
	-0611	6			X	-0622	6						
X	-0811	8			X	-0822	8						
	-1011	10			X	-1022	10						
X	-1211	12			X	-1222	12						
	-1411	14			X	-1422	14						
X	-1611	16			X	-1622	16						
	-1811	18				-1822	18						
X	-2011	20			X	-2022	20						
X	↓ -2211	22	↓	↓	X	↓ -2222	22	↓	↓				

	44475-2411	24	94V-2	I
X	44475-0221	2	94V-0	I
	↑ -0421	4	↑	↑
	-0621	6		
X	-0821	8		
	-1021	10		
X	-1221	12		
	-1421	14		
	-1621	16		
	-1821	18		
X	-2021	20		
X	↓ -2221	22	↓	↓
	44475-2421	24	94V-0	I

X	44475-2422	24	94V-0	2
---	------------	----	-------	---

ITEM NO.	CKT. SIZE	HSG. MAT'L.	TERMINAL PLATING REQUIRED AT EACH CIRCUIT LOCATION:																							
			1	2	3	4	5	6	7	8	9	10	11	12	13	14	15	16	17	18	19	20	21	22	23	24
44475-3000	24	94V-0	A	A	-	A	-	A	-	A	-	A	A	A	A	A	-	A	-	A	-	A	-	A	A	A

ITEMS PRECEDED BY "X" ARE NOT AVAILABLE.

	A3	SEE SHT. I	
	A1	SEE SHEET #1	
	A	SEE SHT. I	
	I	SEE SHT. I	
LTR.	REVISIONS	LTR.	REVISIONS

DIMENSIONS SHOWN (METRIC) INCH	
UNLESS OTHERWISE SPECIFIED TOLERANCES: ANGULAR ± 1/2°	
3 PLACE ± ---	---
2 PLACE ± -- ± ---	---
1 PLACE --- ± --	---
DRAFT WHERE APPLICABLE MUST REMAIN WITHIN DIMENSIONS	
DRWG. BY: GEP	CHK'D. BY: RJF
APP'D. BY: RJF	SCALE: :

▽ = 0	▼ = 0	REVISE ONLY ON CAD SYSTEM
TITLE: VERTICAL RECEPTACLE HEADER ASS'Y., B.M.I., MINI-FIT H.C.S. SERIES		
MOLEX INCORPORATED	SHEET NO. 3	DATE 8/10/94
LITSE, ILL. 60532 U.S.A.		
PART NO. SDA-44475-****	DRWG. NO.	
SEE CHART.		
FILE NAME: S44475X3.DGN	THIS DRAWING CONTAINS INFORMATION THAT IS PROPRIETARY TO MOLEX INC. AND SHOULD NOT BE USED WITHOUT WRITTEN PERMISSION	DIV. CP

44475