

PLEASE CHECK WWW.MOLEX.COM FOR LATEST PART INFORMATION

Part Number: [0510350700](#)
Status: **Active**
Description: 2.50mm (.098") Pitch Board-In Housing, 7 Circuits

Documents:

| | |
|--|--|
| 3D Model | Product Specification PS-51035-002 (PDF) |
| Drawing (PDF) | RoHS Certificate of Compliance (PDF) |
| Product Specification PS-51035-001 (PDF) | |

General

| | |
|----------------|----------------|
| Product Family | Crimp Housings |
| Series | 51035 |
| Product Name | Board-In |

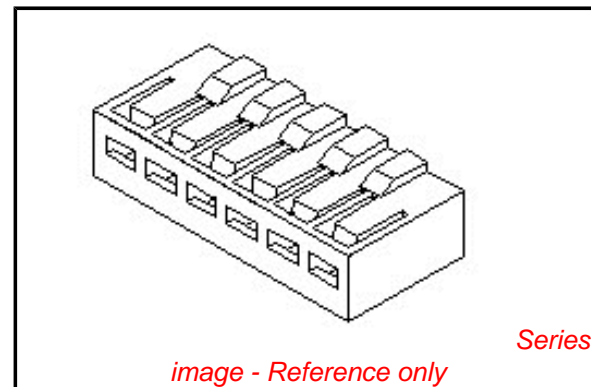
Physical

| | |
|-------------------------------|-----------------|
| Circuits (maximum) | 7 |
| Color - Resin | Natural |
| Gender | Male |
| Glow-Wire Compliant | No |
| Material - Resin | Nylon |
| Number of Rows | 1 |
| Packaging Type | Bag |
| Panel Mount | No |
| Pitch - Mating Interface (in) | 0.098 In |
| Pitch - Mating Interface (mm) | 2.50 mm |
| Stackable | No |
| Temperature Range - Operating | -40°C to +105°C |

Material Info

Reference - Drawing Numbers

| | |
|-----------------------|---|
| Product Specification | PS-51035-001, PS-51035-002, RPS-51035-001 |
| Sales Drawing | SD-51035-**00 |



EU RoHS

**ELV and RoHS
Compliant**
REACH SVHC
 Not Reviewed
**Halogen-Free
Status**
 Not Reviewed

China RoHS



**Need more information on product
environmental compliance?**

Email productcompliance@molex.com
 For a multiple part number RoHS Certificate of
 Compliance, [click here](#)

Please visit the [Contact Us](#) section for any
 non-product compliance questions.

Search Parts in this Series
[51035Series](#)

Use With
[50097](#)

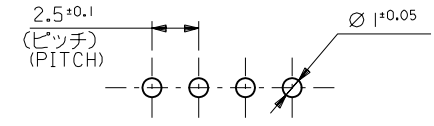
E

D

DIMENSIONS IN METRIC DO NOT SCALE DRAWING

A

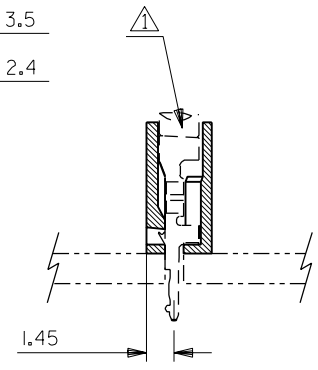
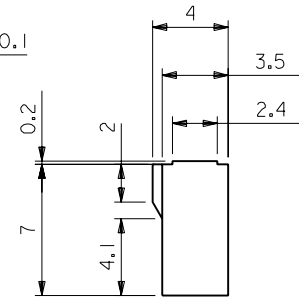
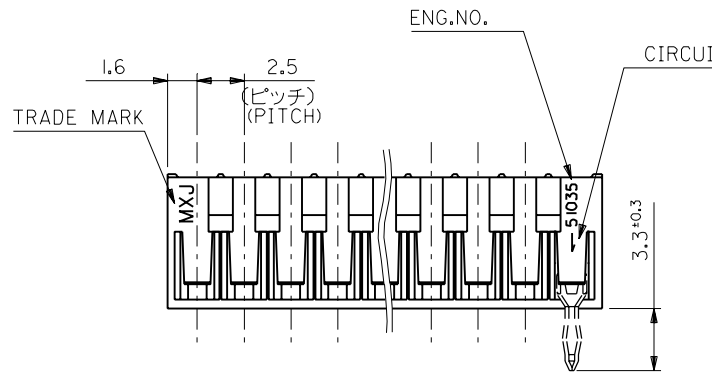
(公差非累積)
(NON-ACCUMULATIVE)



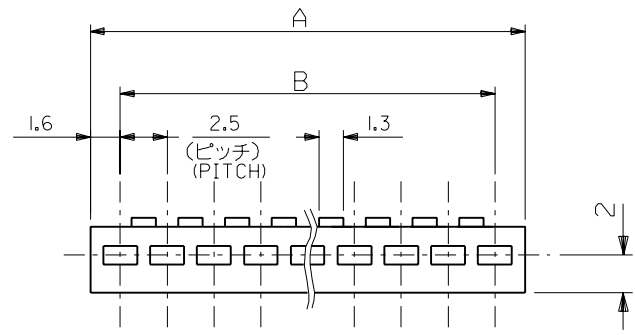
基板取付穴推奨寸法 (基板厚: 1.6mm)
RECOMMENDED PC BOARD HOLE DIMENSION
(THICKNESS: 1.6mm)

注記
NOTE

▲適合ターミナル: 50097-8*00
APPLICABLE TERMINAL: 50097-8*00



| | | | |
|------|------|--------------|------------|
| 42.5 | 45.7 | 51035 - 1800 | 18 |
| 40.0 | 43.2 | ▲ - 1700 | 17 |
| 37.5 | 40.7 | - 1600 | 16 |
| 35.0 | 38.2 | - 1500 | 15 |
| 32.5 | 35.7 | - 1400 | 14 |
| 30.0 | 33.2 | - 1300 | 13 |
| 27.5 | 30.7 | - 1200 | 12 |
| 25.0 | 28.2 | - 1100 | 11 |
| 22.5 | 25.7 | - 1000 | 10 |
| 20.0 | 23.2 | - 0900 | 9 |
| 17.5 | 20.7 | - 0800 | 8 |
| 15.0 | 18.2 | - 0700 | 7 |
| 12.5 | 15.7 | - 0600 | 6 |
| 10.0 | 13.2 | - 0500 | 5 |
| 7.5 | 10.7 | - 0400 | 4 |
| 5.0 | 8.2 | ▼ - 0300 | 3 |
| 2.5 | 5.7 | 51035 - 0200 | 2 |
| B | A | ENG.NO. | 極数 CKT. |



| | | | | | | | | | |
|----------------------------|-------------------------|-------|------|------------|------------------|-------------|---------|--------------------------------------|--|
| 角度 ANGLE | | ±3° | | | | | | 材料 MATERIAL | MOLEX-JAPAN CO.,LTD. 日本モレックス株式会社 |
| 30以上 OVER | | +0.3 | | | | | | 仕上げ FINISH | |
| 10以上 30未満 OVER UNDER | | +0.25 | | | | | | 適用電線範囲 WIRE RANGE | |
| 10未満 UNDER | | +0.2 | | | | | | 被覆外径 INS. RANGE | |
| 一般公差 GENERAL TOLERANCES | | | E | REDRAWN | K.S. | M.S. | %/06/30 | DRAWN BY %/06/30 CHK'D BY %/06/30 | REVISE ONLY ON CAD SYSTEM TITLE 名称 2.5 BOARD IN CONN. HOUSING |
| 記号 LTR | 変更内容 REVISION RECORD | DR. | CHK. | 日付 DATE | APP'D BY %/06/30 | 尺度 SCALE | 4:1 | DWG. NO. SD-51035-**-00 | |

51035.03