

**PLEASE CHECK WWW.MOLEX.COM FOR LATEST PART INFORMATION**

**Part Number:** [0555600407](#)  
**Status:** **Active**  
**Overview:** [slimstack\\_050mm\\_020\\_pitch](#)  
**Description:** 0.50mm (.020") Pitch SlimStack™ Plug, Surface Mount, Dual Row, Vertical, 1.50mm (.059") Stack Height, 40 Circuits

**Documents:**

[3D Model](#) [Product Specification PS-54722-010 \(PDF\)](#)  
[Drawing \(PDF\)](#) [RoHS Certificate of Compliance \(PDF\)](#)  
[Product Specification PS-54722-009 \(PDF\)](#)

**General**

Product Family	PCB Headers
Series	<a href="#">55560</a>
Application	Board-to-Board
Overview	<a href="#">slimstack_050mm_020_pitch</a>
Product Name	SlimStack™

**Physical**

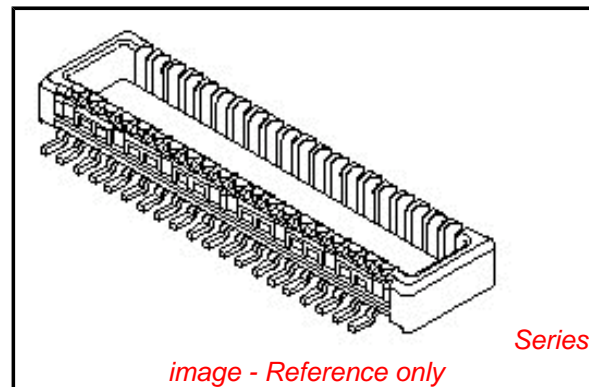
Breakaway	No
Circuits (Loaded)	40
Circuits (maximum)	40
First Mate / Last Break	No
Glow-Wire Compliant	No
Guide to Mating Part	No
Keying to Mating Part	None
Lock to Mating Part	Yes
Mated Height (in)	0.059 In
Mated Height (mm)	1.50 mm
Material - Metal	Brass
Material - Plating Mating	Gold
Material - Plating Termination	Gold
Number of Rows	2
Orientation	Vertical
PC Tail Length (in)	0.029 In
PC Tail Length (mm)	0.74 mm
PCB Locator	No
PCB Retention	None
Packaging Type	Embossed Tape on Reel
Pitch - Mating Interface (in)	0.020 In
Pitch - Mating Interface (mm)	0.50 mm
Plating min: Mating (µin)	10
Plating min: Mating (µm)	0.25
Plating min: Termination (µin)	4
Plating min: Termination (µm)	0.1
Shrouded	Fully
Stackable	No
Temperature Range - Operating	-25°C to +85°C
Termination Interface: Style	Surface Mount

**Electrical**

Current - Maximum per Contact	0.5A
Voltage - Maximum	50V

**Material Info**

**Reference - Drawing Numbers**



**EU RoHS**

**ELV and RoHS  
Compliant**  
**REACH SVHC**  
 Not Reviewed  
**Halogen-Free  
Status**

**China RoHS**



**Need more information on product  
environmental compliance?**

Email [productcompliance@molex.com](mailto:productcompliance@molex.com)  
 For a multiple part number RoHS Certificate of  
 Compliance, [click here](#)

Please visit the [Contact Us](#) section for any  
 non-product compliance questions.

**Search Parts in this Series**

[55560Series](#)

**Mates With**

[54722 PCB Receptacle](#)

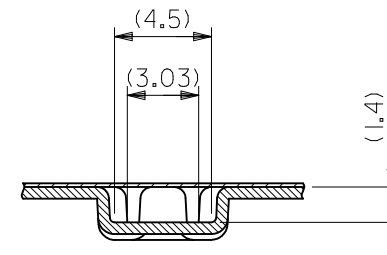
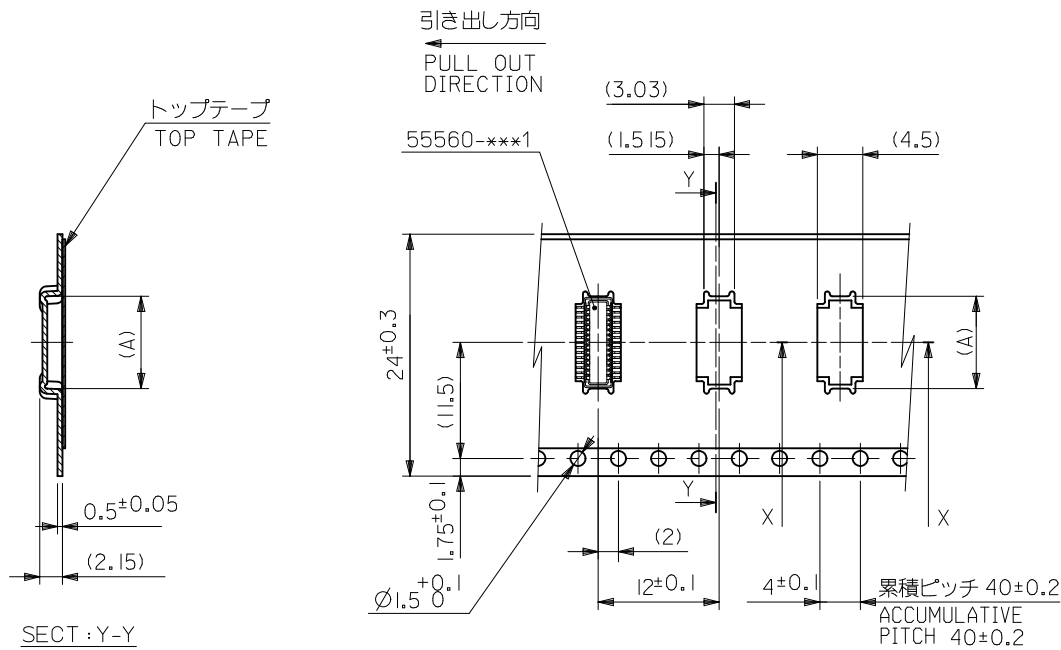
Packaging Specification  
Product Specification

SPK-55560-001  
PS-54722-009, PS-54722-010, RPS-54037-011,  
RPS-54722-018, RPS-54722-019, RPS-54722-022,  
RPS-54722-024, RPS-54722-025, RPS-54722-026,  
RPS-54722-029, RPS-54722-030, RPS-54722-031,  
RPS-54722-034  
SD-55560-007

Sales Drawing

This document was generated on 05/27/2010

**PLEASE CHECK [WWW.MOLEX.COM](http://WWW.MOLEX.COM) FOR LATEST PART INFORMATION**

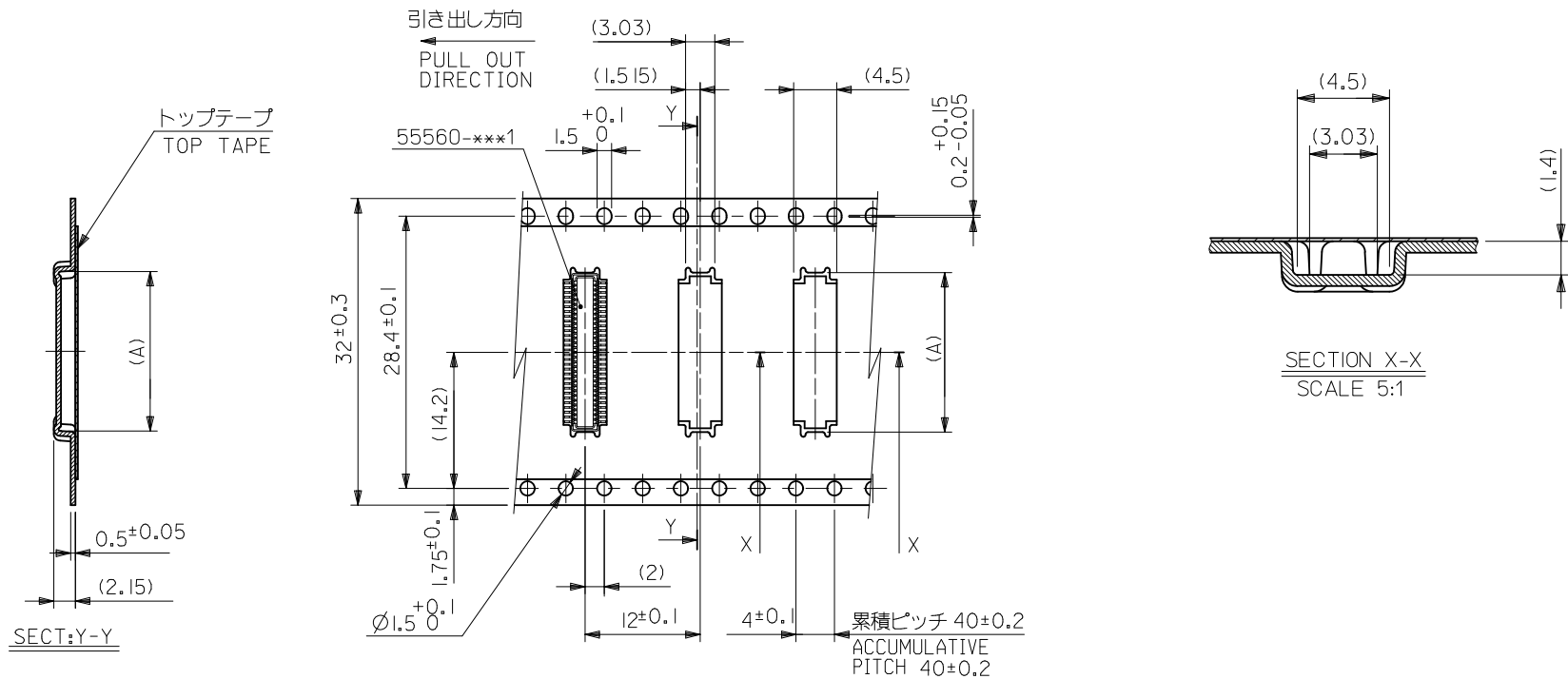


SECTION X-X  
SCALE 5:1

24mm幅キャリアテープ  
24mm WIDTH CARRIER TAPE

24	25.5	14.15	55560-0507	55560-***7	50
		11.65	55560-0407		40
		10.15	55560-0347		34
		9.15	55560-0307		30
		7.65	55560-0247		24
		7.15	55560-0227		22
キャリアテープ幅 CARRIER TAPE WIDTH	B	(A)	MATERIAL No.	MODEL No.	極数 CIRCUIT

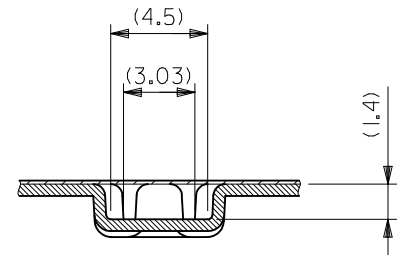
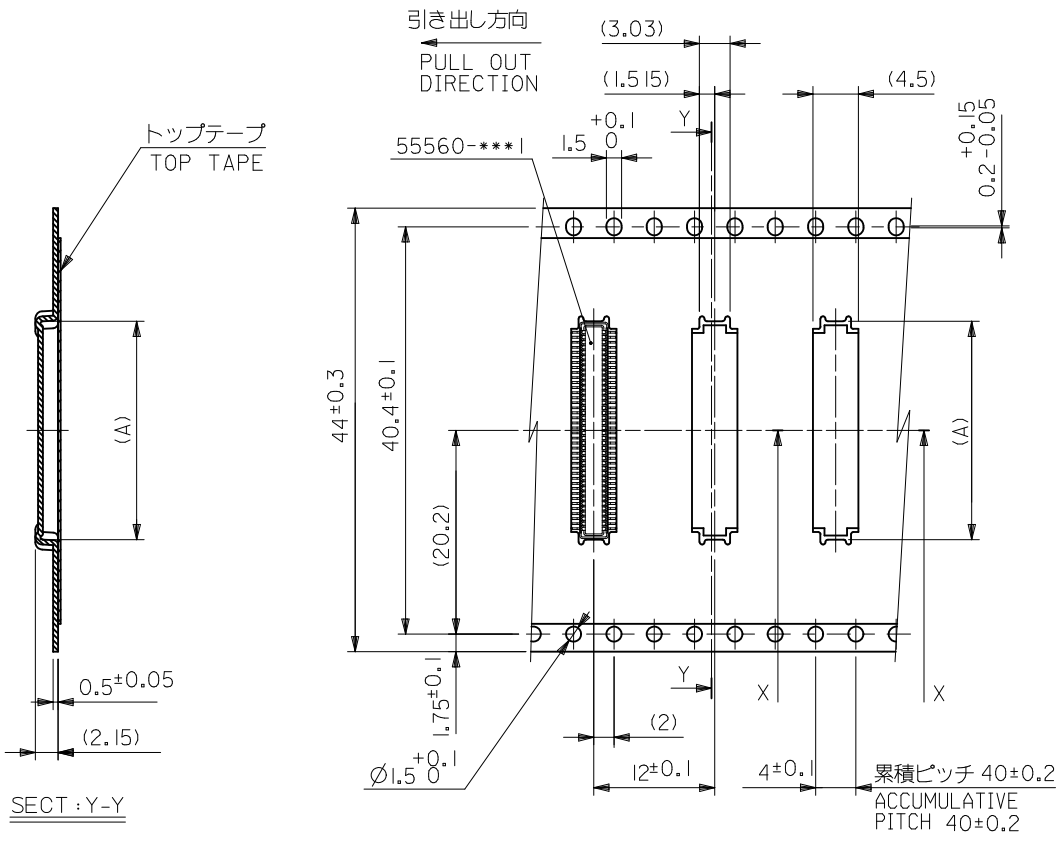
REVISED EC NO: J2010-1529 DRWN: YON002 CHKD: SMARUYAMA APPR: MSASAO 2010/01/28 2010/02/01 2010/02/02	GENERAL TOLERANCES (UNLESS SPECIFIED)		DIMENSION STYLE MM ONLY		SCALE ---	DESIGN UNITS METRIC	THIRD ANGLE PROJECTION
	10 UNDER	±0.2	DRAWN BY S. AIHARA	DATE '00/10/06	TITLE 0.5 B-T0-B PLUG ASSY (HGT=1.5) EMBSTP PKG (SHEET 3 OF 5)		
	10 OVER 30 UNDER	±0.25	CHECKED BY M. SASAO	DATE '03/03/31	MOLEX INCORPORATED		
	30 OVER	±0.3	APPROVED BY M. SASAO	DATE '03/03/31	MATERIAL NO. SEE TABLE	DOCUMENT NO. SD-55560-007	SHEET NO. 3 OF 5
J	REVISION	ANGULAR ±3 °	DRAFT WHERE APPLICABLE MUST REMAIN WITHIN DIMENSIONS		THIS DRAWING CONTAINS INFORMATION THAT IS PROPRIETARY TO MOLEX INCORPORATED AND SHOULD NOT BE USED WITHOUT WRITTEN PERMISSION		



32mm幅キャリアテープ  
32mm WIDTH CARRIER TAPE

32	33.5	16.65	55560-0607	55560-***7	60
キャリアテープ幅 CARRIER TAPE WIDTH	B	(A)	MATERIAL No.	MODEL No.	極数 CIRCUIT

REVISED EC NO: J2010-1529 DRWN: YON002 CH'KD: SMARUYAMA APPR: MSASAO 2010/01/28 2010/02/01 2010/02/02	GENERAL TOLERANCES (UNLESS SPECIFIED)		DIMENSION STYLE MM ONLY		SCALE ---	DESIGN UNITS METRIC	THIRD ANGLE PROJECTION
	10 UNDER	±0.2	DRAWN BY T. YASUI	DATE '02/03/06	TITLE 0.5 B-T0-B PLUG ASSY (HGT=1.5) EMBSTP PKG (SHEET 4 OF 5)		
	10 OVER 30 UNDER	±0.25	CHECKED BY M. SASAO	DATE '03/03/31	MOLEX INCORPORATED		
	30 OVER	±0.3	APPROVED BY M. SASAO	DATE '03/03/31	MATERIAL NO. SEE CHART	DOCUMENT NO. SD-55560-007	SHEET NO. 4 OF 5
J	DESCRIPTION	ANGULAR ±3 °	THIS DRAWING CONTAINS INFORMATION THAT IS PROPRIETARY TO MOLEX INCORPORATED AND SHOULD NOT BE USED WITHOUT WRITTEN PERMISSION				
		DRAFT WHERE APPLICABLE MUST REMAIN WITHIN DIMENSIONS					



SECTION X-X  
SCALE 5:1

SECT: Y-Y

44mm幅キャリアテープ  
44mm WIDTH CARRIER TAPE

44	45.5	21.65	55560-0807	55560-***7	80
キャリアテープ幅 CARRIER TAPE WIDTH	B	(A)	MATERIAL No.	MODEL No.	極数 CIRCUIT

REVISED EC NO: J2010-1529 DRWN: YON002 CH'KD: SMARUYAMA APPR: MSASAO 2010/01/28 2010/02/01 2010/02/01	GENERAL TOLERANCES (UNLESS SPECIFIED)		DIMENSION STYLE MM ONLY		SCALE ---	DESIGN UNITS METRIC	THIRD ANGLE PROJECTION
	10 UNDER	±0.2	DRAWN BY S. AIHARA	DATE '00/10/06	TITLE 0.5 B-T0-B PLUG ASSY (HGT=1.5) EMBSTP PKG (SHEET 5 OF 5)		
	10 OVER 30 UNDER	±0.25	CHECKED BY M. SASAO	DATE '03/03/31	MOLEX INCORPORATED		
	30 OVER	±0.3	APPROVED BY M. SASAO	DATE '03/03/31	MATERIAL NO. SEE CHART	DOCUMENT NO. SD-55560-007	SHEET NO. 5 OF 5
REV J	DESCRIPTION	ANGULAR ±3 °	DRAFT WHERE APPLICABLE MUST REMAIN WITHIN DIMENSIONS		THIS DRAWING CONTAINS INFORMATION THAT IS PROPRIETARY TO MOLEX INCORPORATED AND SHOULD NOT BE USED WITHOUT WRITTEN PERMISSION		