

PLEASE CHECK WWW.MOLEX.COM FOR LATEST PART INFORMATION

Part Number: **0677791000**
Status: **Active**
Description: AV RCA Jack Connector, Dual Row, Side by Side, 3 Ports, Color and SV Position from Front View (Left column: Red, Yellow; Right Column: White)

Documents:

[3D Model](#) [Product Specification PS-67779-001 \(PDF\)](#)
[Drawing \(PDF\)](#) [RoHS Certificate of Compliance \(PDF\)](#)

General

Product Family	I/O Connectors
Series	<u>67779</u>
Application	Wire-to-Board
Component Type	Receptacle
Product Name	Audio/Phono Jack
Type	N/A

Physical

Boot Color	N/A
Circuits (Loaded)	6
Circuits (maximum)	6
Durability (mating cycles max)	150
Gender	Male
Keying to Mating Part	Yes
Lock to Mating Part	None
Material - Plating Mating	Tin
Material - Plating Termination	Tin
Number of Rows	3
Orientation	Right Angle
PC Tail Length (in)	0.138 In
PC Tail Length (mm)	3.50 mm
PCB Locator	Yes
PCB Retention	Yes
PCB Thickness Recommended (in)	0.063 In
PCB Thickness Recommended (mm)	1.60 mm
Packaging Type	Tray
Panel Mount	Yes
Pitch - Mating Interface (in)	0.591 In
Pitch - Mating Interface (mm)	15.00 mm
Plating min: Mating (µin)	100
Plating min: Mating (µm)	2.54
Plating min: Termination (µin)	100
Plating min: Termination (µm)	2.54
Polarized to Mating Part	Yes
Polarized to PCB	Yes
Ports	3
Surface Mount Compatible (SMC)	No
Temperature Range - Operating	-40°C to +60°C
Termination Interface: Style	Through Hole
Waterproof / Dustproof	No
Wire Size AWG	N/A

Electrical

Current - Maximum per Contact	2A
Grounding to Panel	Press-Fit
Shield Type	Full Shield

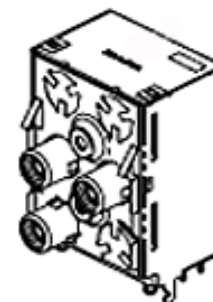


image - Reference only

Series

EU RoHS

**ELV and RoHS
Compliant**
REACH SVHC
 Not Reviewed
Halogen-Free
Status
Not Reviewed

China RoHS



**Need more information on product
environmental compliance?**

Email productcompliance@molex.com
 For a multiple part number RoHS Certificate of Compliance, [click here](#)

Please visit the [Contact Us](#) section for any non-product compliance questions.

Search Parts in this Series

67779Series

Mates With

AV Plug

Shielded
Voltage - Maximum

Yes
500V AC

Material Info

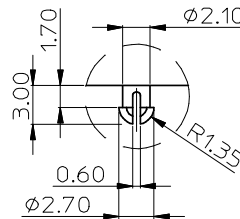
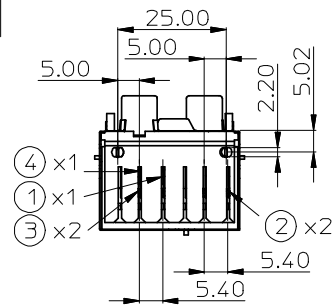
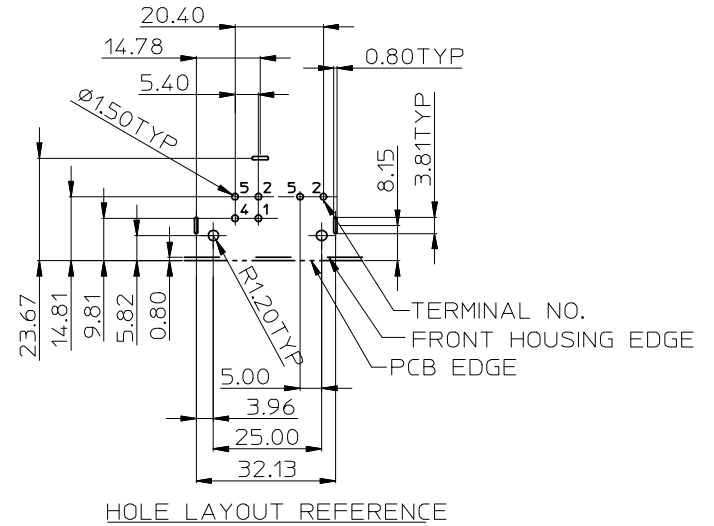
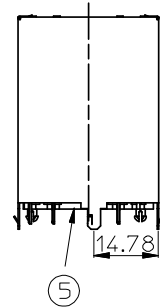
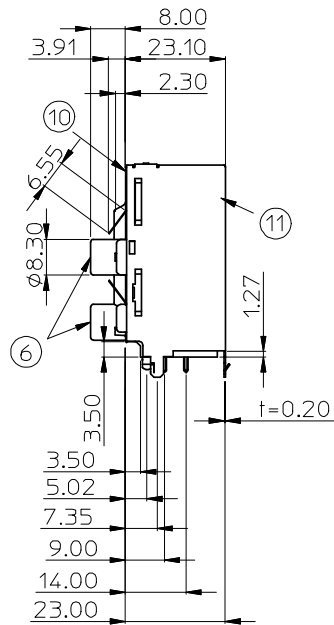
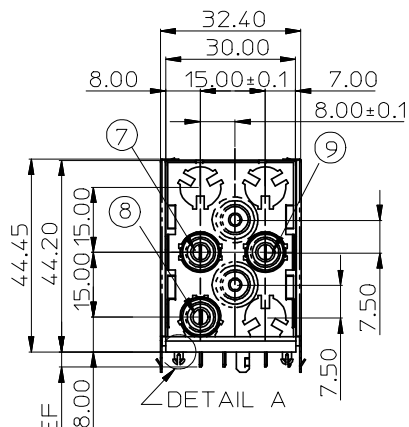
Reference - Drawing Numbers

Product Specification
Sales Drawing

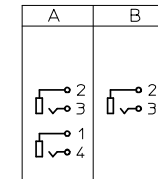
PS-67779-001
SD-67779-002

This document was generated on 04/07/2010

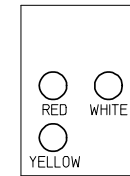
PLEASE CHECK WWW.MOLEX.COM FOR LATEST PART INFORMATION



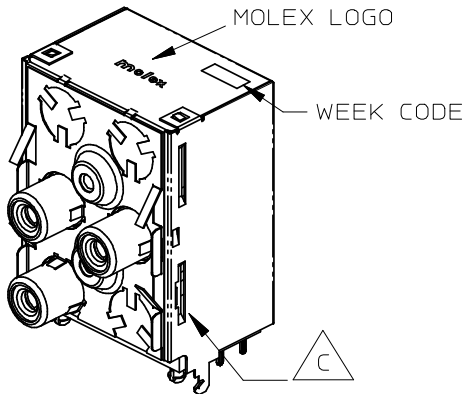
DETAIL A
(SCALE 3:1)



TERMINAL NO.
CIRCUIT



COLOR AND
SV POSITION
(FRONT VIEW)



EWR 2008-0061 EC NO: SH2008-0370 DRW:ALL IN 2008/01/30 CHKD: 2008/01/30 APPR:WMSCHANG 2008/02/05	QUALITY SYMBOLS ▽=0 ◻=0	GENERAL TOLERANCES (UNLESS SPECIFIED)		DIMENSION STYLE MM ONLY		SCALE	DESIGN UNITS	THIRD ANGLE PROJECTION	
						METRIC			
		4 PLACES	± ---	± ---	DRAWN BY	DATE	TITLE		
		3 PLACES	± ---	± ---	IVY LIN	2006/07/13	DUAL ROW SIDE BY SIDE AV RCA JACK 3 PORTS		
		2 PLACES	± 0.25	± ---	CHECKED BY	DATE			
		1 PLACE	± 0.25	± ---	ALLEN LIN	2006/07/14			
		ANGULAR ± 3 °		APPROVED BY	DATE				
		DRAFT WHERE APPLICABLE MUST REMAIN WITHIN DIMENSIONS		ERICK LAN	2006/07/14				
				MATERIAL NO.	67779-1000		MOLEX INCORPORATED		SHEET NO.
				SIZE	A3		SD-67779-002		1 OF 2
		THIS DRAWING CONTAINS INFORMATION THAT IS PROPRIETARY TO MOLEX INCORPORATED AND SHOULD NOT BE USED WITHOUT WRITTEN PERMISSION							

